



## Artisan Technology Group is your source for quality new and certified-used/pre-owned equipment.

- FAST SHIPPING AND DELIVERY
- TENS OF THOUSANDS OF IN-STOCK ITEMS
- EQUIPMENT DEMOS
- HUNDREDS OF MANUFACTURERS SUPPORTED
- LEASING/MONTHLY RENTALS
- CONSIGNMENT

### SERVICE CENTER REPAIRS

Experienced engineers and technicians on staff at our full-service, in-house repair center

### INSTRAVIEW REMOTE INSPECTION

Remotely inspect equipment before purchasing with our interactive website at [www.instraview.com](http://www.instraview.com) ↗

### WE BUY USED EQUIPMENT!

Sell your excess, underutilized, and idle used equipment. We also offer **credit for buy-backs and trade-ins!** ↗

### LOOKING FOR MORE INFORMATION?

Visit us on the web at [www.artisanng.com](http://www.artisanng.com) ↗ for more information on price quotations, drivers, technical specifications, manuals, and documentation!

**Contact us:** (888) 88-SOURCE | [sales@artisanng.com](mailto:sales@artisanng.com) | 101 E. Mercury Drive, Champaign IL 61822

# Ball Bearing Positioners

Width: 6.00" (152,4 mm)

Mounting: Imperial & Metric

## 4900/M4900 Series

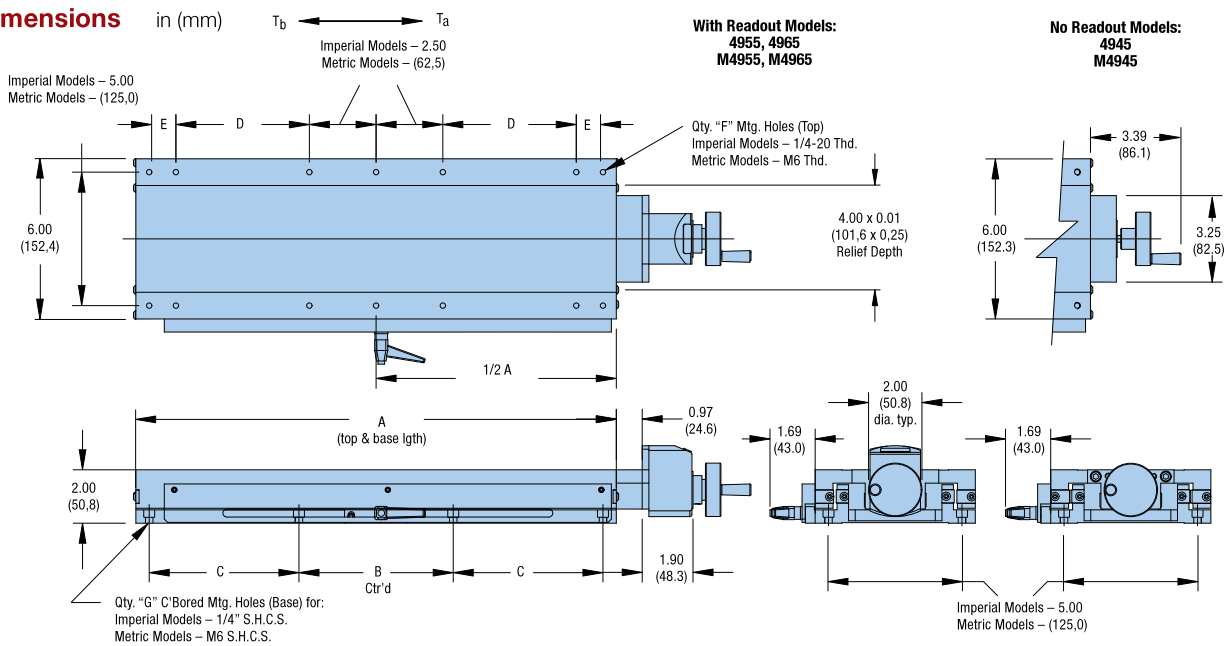
Specifications	Imperial	Metric
Travel:	4.0 – 12.0 in	100,0 – 300,0 mm
Size:		
Width	6.00 in	152,4 mm
Length	9.39 – in	mm
Height	2.00 in	50,8 mm
Load:		
Normal	100 – 294 lbs	45 – 133 kg
Thrust $T_a$	30 lbs	13,6 kg
Thrust $T_b$	30 lbs	13,6 kg
Moment – Yaw, Pitch, Roll	See page 88	See page 88
Straight line accuracy:	0.00008 in/in of travel	2 $\mu$ m/25 mm of travel
Readout graduations:	0.001 in	0,01 mm
Weight:	4 – 12 lbs/axis	1,8 – 5,4 kg/axis
Z-Axis bracket options: (See page 124-127)	4990-04/-12	M4990-04/-12
Construction:	Aluminum top and base/ 440C stainless steel bearings	
Mounting surface:	Precision machined	
Finish:	Black anodize	



Leadscrew drive positioner with readout (left); positioner with no readout and optional position lock (right). To order the optional lock, add -L to the model number selected from the chart below.

Consult factory for critical dimension concerns.

### Dimensions



	No Readout Model*	Imperial Readout Model*	Metric Readout Model*	Travel in (mm)	Load lbs (kg)	Weight lbs (kg)	Dimensions – in (mm)					Qty F	Qty G
							A	B	C	D	E		
Imperial	4945-04	4955-04	4965-04	4.0	100	4.0	6.00	5.00	—	—	—	6	4
	4945-06	4955-06	4965-06	6.0	154	6.0	9.00	5.00	1.50	1.50	—	10	8
	4945-08	4955-08	4965-08	8.0	205	8.0	12.00	5.00	3.00	2.50	—	10	8
	4945-10	4955-10	4965-10	10.0	243	10.0	15.00	6.00	4.00	2.50	2.00	14	8
	4945-12	4955-12	4965-12	12.0	294	12.0	18.00	7.00	5.00	5.00	1.00	14	8
Metric	M4945-04	M4955-04	M4965-04	(100,0)	(45)	(1,8)	(152,4)	(125,0)	—	—	—	6	4
	M4945-06	M4955-06	M4965-06	(150,0)	(70)	(2,7)	(228,6)	(125,0)	(37,5)	(37,5)	—	10	8
	M4945-08	M4955-08	M4965-08	(200,0)	(93)	(3,6)	(304,8)	(125,0)	(75,0)	(62,5)	—	10	8
	M4945-10	M4955-10	M4965-10	(250,0)	(110)	(4,5)	(381,0)	(150,0)	(100,0)	(62,5)	(50,0)	14	8
	M4945-12	M4955-12	M4965-12	(300,0)	(133)	(5,4)	(457,2)	(175,0)	(125,0)	(125,0)	(25,0)	14	8

\* Add -L to model number for optional position lock.



www.parkermotion.com

Parker Hannifin Corporation  
Electromechanical Automation Division  
Irwin, Pennsylvania



## Artisan Technology Group is your source for quality new and certified-used/pre-owned equipment.

- FAST SHIPPING AND DELIVERY
- TENS OF THOUSANDS OF IN-STOCK ITEMS
- EQUIPMENT DEMOS
- HUNDREDS OF MANUFACTURERS SUPPORTED
- LEASING/MONTHLY RENTALS
- CONSIGNMENT

### SERVICE CENTER REPAIRS

Experienced engineers and technicians on staff at our full-service, in-house repair center

### INSTRAVIEW REMOTE INSPECTION

Remotely inspect equipment before purchasing with our interactive website at [www.instraview.com](http://www.instraview.com) ↗

### WE BUY USED EQUIPMENT!

Sell your excess, underutilized, and idle used equipment. We also offer **credit for buy-backs and trade-ins!** ↗

### LOOKING FOR MORE INFORMATION?

Visit us on the web at [www.artisanng.com](http://www.artisanng.com) ↗ for more information on price quotations, drivers, technical specifications, manuals, and documentation!

**Contact us:** (888) 88-SOURCE | [sales@artisanng.com](mailto:sales@artisanng.com) | 101 E. Mercury Drive, Champaign IL 61822