



Artisan Technology Group is your source for quality new and certified-used/pre-owned equipment

- FAST SHIPPING AND DELIVERY
- TENS OF THOUSANDS OF IN-STOCK ITEMS
- EQUIPMENT DEMOS
- HUNDREDS OF MANUFACTURERS SUPPORTED
- LEASING/MONTHLY RENTALS
- ITAR CERTIFIED SECURE ASSET SOLUTIONS

SERVICE CENTER REPAIRS

Experienced engineers and technicians on staff at our full-service, in-house repair center

*InstraView*SM REMOTE INSPECTION

Remotely inspect equipment before purchasing with our interactive website at www.instraview.com ↗

WE BUY USED EQUIPMENT

Sell your excess, underutilized, and idle used equipment. We also offer credit for buy-backs and trade-ins. www.artisanng.com/WeBuyEquipment ↗

LOOKING FOR MORE INFORMATION?

Visit us on the web at www.artisanng.com ↗ for more information on price quotations, drivers, technical specifications, manuals, and documentation

Contact us: (888) 88-SOURCE | sales@artisanng.com | www.artisanng.com

Specifications

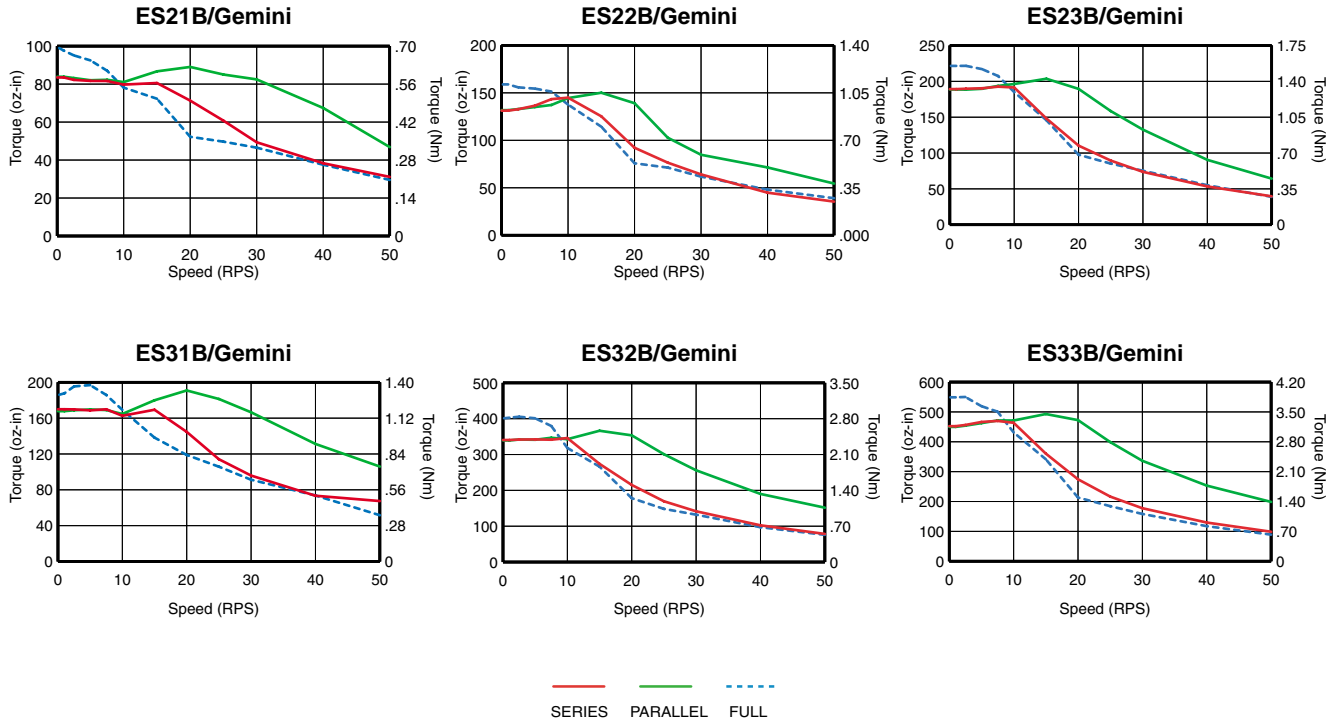
ES Series Stepper Motor Specifications Size 23 & 34 Frame

Parameters		Size 23 Frame			Size 34 Frame		
		ES21B	ES22B	ES23B	ES31B	ES32B	ES33B
Static torque	oz-in	117	196	264	255	502	655
	(N-m)	(0.8)	(1.4)	(1.9)	(1.8)	(3.5)	(4.6)
Rotor inertia	oz-in ²	0.546	1.1	1.69	3.47	6.76	10.47
	(kg-m ² x 10 ⁻²)	(9.998)	(20.1)	(30.9)	(63.4)	(124)	(191)
Phase Inductance	Series	17.37	18.5	17	10	10.5	9.2
	Parallel	4.34	4.62	4.25	2.5	2.62	2.3
Drive Bus Voltage	VDC	170	170	170	170	170	170
Detent Torque	oz-in	1.4	2.08	2.78	1.94	4.03	5.55
	(N-m)	(0.01)	(0.01)	(0.02)	(0.01)	(0.03)	(0.04)
Bearings							
Thrust load	lb	25	25	25	50	50	50
	(kg)	(11.3)	(11.3)	(11.3)	(22.6)	(22.6)	(22.6)
Radial load	lb	15	15	15	25	25	25
	(kg)	(6.8)	(6.8)	(6.8)	(11.3)	(11.3)	(11.3)
End play	in	0.005	0.005	0.005	0.005	0.005	0.005
Reversing load Equal to 1 lb Radial play Per 0.5 lb load	(cm)	(0.013)	(0.013)	(0.013)	(0.013)	(0.013)	(0.013)
Weight (net)	in	0.0008	0.0008	0.0008	0.0008	0.0008	0.0008
	(cm)	(0.002)	(0.002)	(0.002)	(0.002)	(0.002)	(0.002)
Motor+Cable +Connector	lb	1.6	2.4	3.2	3.8	5.1	8.3
	(kg)	(0.7)	(1.1)	(1.5)	(1.7)	(2.3)	(3.8)
Motor Cable Wire size	AWG	24	24	24	22	22	22
	(mm ²)	(0.25)	(0.25)	(0.25)	(0.34)	(0.34)	(0.34)
Drive Current							
GT	Apk (Arms)						
	Series	1.76 (1.24)	1.75 (1.24)	2.63 (1.86)	2.76 (1.95)	3.49 (2.47)	4.0 (2.83)
	Parallel	3.5 (2.48)	3.51 (2.48)	5.26 (3.72)	5.51 (3.90)	6.99 (4.94)	8.0 (5.66)
ZETA	Series	1.76 (1.24)	2.01 (1.42)	2.63 (1.86)	2.76 (1.95)	3.63 (2.57)	4.0 (2.83)
	Parallel	3.5 (2.48)	4.0 (2.83)	5.16 (3.65)	5.42 (3.83)	7.23 (5.11)	8.0 (5.66)

All motors: Cable length = 10 feet (3 m); attached connector is prewired for series current.

Motor Speed-Torque Performance Curves

GT Drive with ES Series motors – 23 and 34 frame
(previously ZETA and S Series motors)



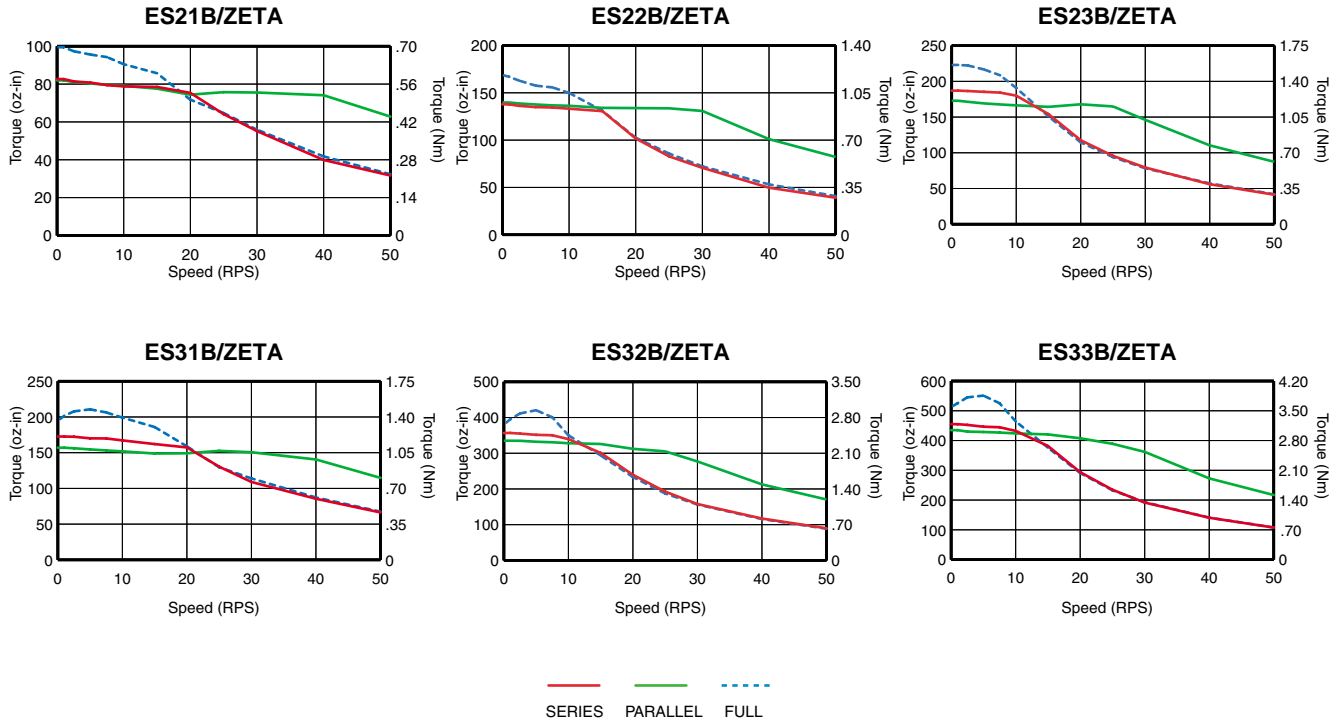
Parallel connected motors are limited to 50% duty cycle when operated above 5 rps. For greater than 50% duty cycle above 5 rps, connection must be made to the motor in series. Fan cooling the motor will increase duty cycles above 5 rps.

Viscous damper is not required to achieve speed-torque curves.

Note: ±10% torque variance due to motor tolerance

Motor Speed-Torque Performance Curves

ZETA with ES motors – 23 and 34 frame
(previously ZETA and S Series motors)

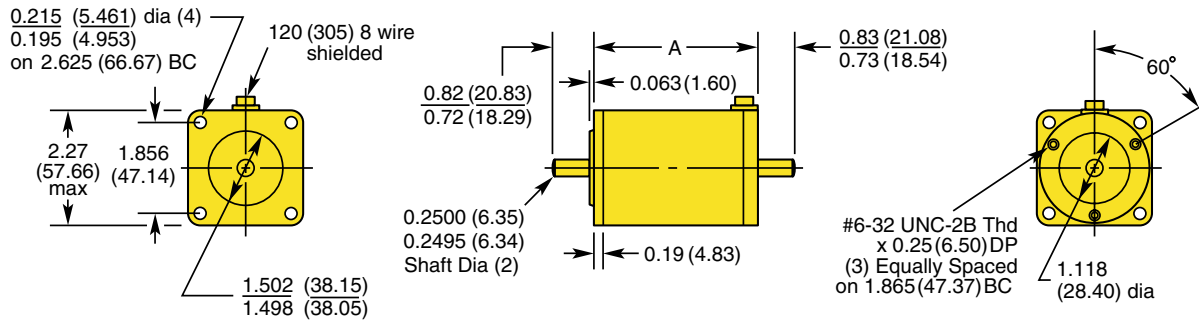


Dimensions

ES Series Dimensional Drawings

Size 23 Frame

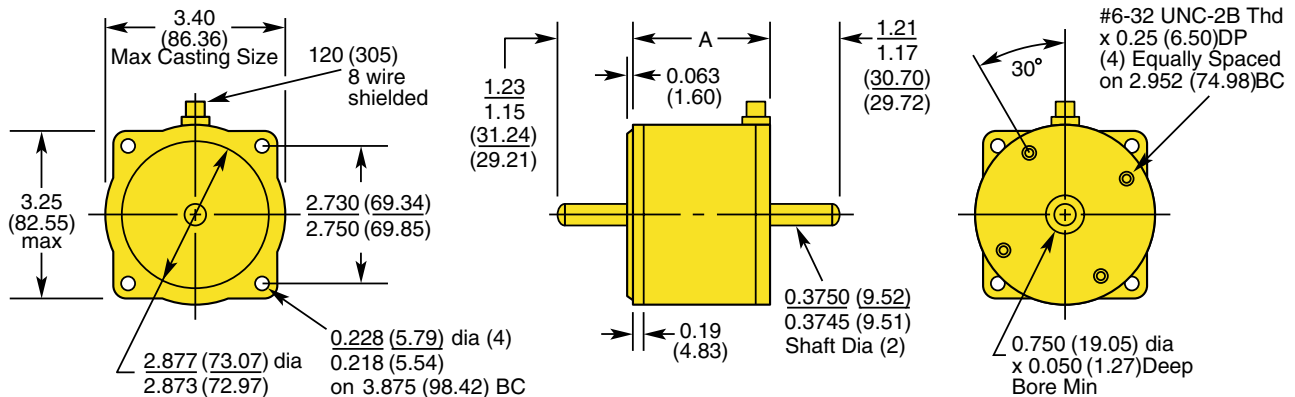
Dimensions in inches (mm)



Model	A
ES21B (ZETA 57-51)	2.0 (50.23)
ES22B (ZETA 57-83)	3.1 (75.23)
ES23B (ZETA 57-102)	4.0 (101.6)

Size 34 Frame

Dimensions in inches (mm)



Model	A
ES31B (ZETA 83-62)	2.5 (62.0)
ES32B (ZETA 83-93)	3.7 (93.98)
ES33B (ZETA 83-135)	5.2 (129.0)

Ordering Information

Motor Ordering Information

ES Series

The ES Series Size 23 and Size 34 Frame motors are available in a B Winding (170VDC). These motors are designed for use with Gemini GT, ZETA Series, ZETA4-240 (@120VAC).

Series E (Extra Smooth)	Type S=Standard	Frame Size 2=Size 23 (2.5") 3=Size 34 (3.38")	No. of Rotor Stacks 1= 1 stack 2= 2 stacks 3= 3 stacks	Winding Type B=170VDC winding (Black painted motors)	Shaft S=Single D=Double Double shaft req'd for all motors w/encoders	Shaft Modification N=None (Standard) F=Flat (.02" depth) (0.5" length) K=Straight Key (34 Frame Only)	Motor Construction/ Hookup R10=Regular hookup w/ 10' Flying Leads	Encoder Option Blank=No feedback (no dash required) EC=1000 ppr differential line encoder w/ 10' cable
-------------------------------	--------------------	---	---	--	---	--	--	--

E Series Part Number Example

ES __ B - _ K _____ - _____
 ES31B-SKNPS
 E 43B-DKS10



Artisan Technology Group is your source for quality new and certified-used/pre-owned equipment

- FAST SHIPPING AND DELIVERY
- TENS OF THOUSANDS OF IN-STOCK ITEMS
- EQUIPMENT DEMOS
- HUNDREDS OF MANUFACTURERS SUPPORTED
- LEASING/MONTHLY RENTALS
- ITAR CERTIFIED SECURE ASSET SOLUTIONS

SERVICE CENTER REPAIRS

Experienced engineers and technicians on staff at our full-service, in-house repair center

*InstraView*SM REMOTE INSPECTION

Remotely inspect equipment before purchasing with our interactive website at www.instraview.com ↗

WE BUY USED EQUIPMENT

Sell your excess, underutilized, and idle used equipment. We also offer credit for buy-backs and trade-ins. www.artisanng.com/WeBuyEquipment ↗

LOOKING FOR MORE INFORMATION?

Visit us on the web at www.artisanng.com ↗ for more information on price quotations, drivers, technical specifications, manuals, and documentation

Contact us: (888) 88-SOURCE | sales@artisanng.com | www.artisanng.com