



Artisan Technology Group is your source for quality new and certified-used/pre-owned equipment

- FAST SHIPPING AND DELIVERY
- TENS OF THOUSANDS OF IN-STOCK ITEMS
- EQUIPMENT DEMOS
- HUNDREDS OF MANUFACTURERS SUPPORTED
- LEASING/MONTHLY RENTALS
- ITAR CERTIFIED SECURE ASSET SOLUTIONS

SERVICE CENTER REPAIRS

Experienced engineers and technicians on staff at our full-service, in-house repair center

*InstraView*SM REMOTE INSPECTION

Remotely inspect equipment before purchasing with our interactive website at www.instraview.com ↗

WE BUY USED EQUIPMENT

Sell your excess, underutilized, and idle used equipment. We also offer credit for buy-backs and trade-ins. www.artisanng.com/WeBuyEquipment ↗

LOOKING FOR MORE INFORMATION?

Visit us on the web at www.artisanng.com ↗ for more information on price quotations, drivers, technical specifications, manuals, and documentation

Contact us: (888) 88-SOURCE | sales@artisanng.com | www.artisanng.com

OEM 750 Series



Compact, Low-Cost Drives

With technology enhancements and field experience, Compumotor offers the OEM750 Series, a compact microstepping drive that provides big performance in a small package.

Electronic Damping

All step motors are subject to mid-range instability, also referred to as parametric oscillations. Several problems are associated with these oscillations. They can cause the motor to stall, and thus cause the user to include a margin (typically at least 50%) of extra torque to overcome the oscillation. The OEM750 Series incorporates a subset of the patented electronic damping circuitry developed by Compumotor. This feature suppresses these oscillations, allowing the torque formerly reserved for safety margin to be used to do useful work, thus taking advantage of the full capabilities of the step motor.

- Minimizes stall condition
- Increases usable torque
- Higher accelerations

Current Loop Adjustment

Since the OEM750 Series is capable of operating from 24 to 75 VDC, while operating motors with a wide range of winding inductances, Compumotor incorporated current loop gain techniques to optimize motor performance. The loop gain adjustment is designed to maximize your system's (drive, motor, and voltage) performance. Control over the current loop gain allows customers to take advantage of the motor's capable torque and reduces audible noise and excessive heating of the motor. This gives users more choices when selecting a motor and the opportunity to pick the best motor for their application.

- Optimizes motor performance
- Reduces audible noise
- Reduces motor heating

Packaging

The OEM750 Series combines ASIC and surface mount technologies to minimize the product's footprint, minimize overall package size, and increase product reliability.

Reliability

At Compumotor, producing reliable, quality products is our number one priority. Our OEM750 Series is designed with high-quality standards and manufactured with state-of-the-art equipment and production methods. Before any product reaches our customers, it must pass a rigorous set of hardware and software tests. Today, Compumotor uses Highly Accelerated Life Testing (HALT) to uncover the product's vulnerabilities, in order to produce a robust and reliable product. JIT (Just-In-Time) manufacturing and DFM (Design-For-Manufacturability) methods lend themselves well in creating the necessary flexibility to readily accommodate your special needs.

**See the OEM Servo Drive Products
in the Servo Drive and Drive/Controller
section.**

Quality Products Designed and Priced for OEMs and High-Volume Users. Call 1-800-358-9070.

OEM 750



Compact, Low-Cost Drives

Compumotor's OEM750 microstepping drive is designed with performance, power, packaging, and reliability in mind — everything that is necessary to meet your high-volume microstepping application needs.

Features

Performance

- Designed for use with motor inductance range of 0.2 mH–80 mH
- Three-state current control allows the drive and motor to run cooler and more efficiently than two-state drives
- Selectable resolution up to 50,800 steps/rev
- Auto standby reduces motor current (and heating) at rest
- Provides 0.2 Amps to 7.5 Amps (peak)
- Single 24-75 VDC power supply input
- Compatible with a variety of motors
- Six predefined current waveforms to optimize smoothness

Protection

- Optically isolated step and direction inputs
- Short circuit protected—phase-to-phase, and phase-to-ground
- Power dump circuitry to protect drive from regeneration caused by large inertial loads
- Self-test feature to verify proper system operation
- Overtemperature circuitry protects the drive from thermal damage

Physical

- Status/fault LED indicators to confirm proper operation
- ASIC and surface-mount technologies minimize product footprint, overall package size, and increase product reliability
- Removable snap-on molded cover for convenient configuration and protection against contaminants
- Optically isolated fault output for embedded applications
- Heat plate design allows thermal dissipation through a suitable heat dissipating mounting surface
- Simplified, two-screw mounting
- Right-angle screw terminal allows side-to-side mounting or Eurorack compatibility
- Built-in controller version for complete application solutions—OEM750X
- Overall dimensions 5.0 x 3.6 x 1.6 in. (127 x 91 x 41 mm)
- Convenient configuration DIP switches
- Certified as UL-recognized component
- CE (LVD & EMC)*

* For compliance, user must follow procedure set in the OEM750 User Guide.

OEM750 Specifications

	Parameter	Value
Power Input	DC	24–75 VDC @ 2.0 Arms (motor dependent)
	Performance	
	Accuracy	±5 arc min (0.0833°) typical. Unloaded-bidirectional with Compumotor supplied motors. Other motors may exhibit different absolute accuracy. ±1 arc min (0.0167°) typical/per each frictional load equal to 1% rated torque. Loaded-in addition to unloaded accuracy.
	Repeatability	±5 arc sec (0.0014°) typical. Unloaded-one revolution returning to start point from same direction.
	Hysteresis	Less than 2 arc min (0.0334°) unloaded-bidirectional.
	Resolution	16 selectable choices: 200, 400, 1000, 2000, 5000, 10000, 12800, 18000, 20000, 21600, 25000, 25400, 25600, 36000, 50000, 50800
	Waveform	Selectable. Allows waveform shaping for optimum smoothness or relative accuracy. Pure sine: -4%, -6%, -8%, -10% 3rd harmonic.
Amplifier	Type	20 kHz fixed frequency, variable duty cycle pulse width modulated (PWM) Current Controlled, bipolar chopper
	Number of Phases	2
	Output Current	0.2–7.5 amps current per phase peak (selectable)
	Drive Supply Voltage	24–75 VDC (dependent on external power supply)
	Standby Current Reduction	25%, 50%, or 75% of selected motor current
	Nominal Chopping Frequency	20 kHz
	Max Stepping Rate	2 MHz max pulse rate: 50 rps max speed
	Step Input	High-going pulse, 200 nsec min width; max pulse rate is 2 MHz; User-supplied driver for the step and direction inputs should be capable of providing a minimum of 6.5 mA to maximum of 15 mA
	Direction Input	Logic High = positive (CW) rotation—3.5–5.0V Logic Low = negative (CCW) rotation—0–0.4V User-supplied driver for the step and direction inputs should be capable of providing a minimum of 6.5 mA to a maximum of 15 mA. The direction input must be stable for at least 200 µsec before the drive receives the first pulse
	Fault Output	Open-Collector/Emitter, Vce = 70 VDC, Vce sat = 0.3 VDC, Ic = 10 mA (max) Maximum dissipation = 55 mW Conducting = normal operation Non conduction = drive fault
Protective Circuits	Short Circuit*	Phase-to-phase, phase-to-ground
	Undervoltage	If DC supply drops below 24 VDC
	Overtemperature*	The drive will fault if heat plate exceeds 55°C
Environmental	Drive Temp	Max allowable ambient temperature is 122°F (50°C). Fan cooling may be required if airflow is restricted. Max allowable heatplate temperature is 55°C.
	Humidity	0 to 95%, Non-condensing
Physical	Drive Dimensions	5.0 x 3.6 x 1.6 in (127 x 91 x 41 mm)
	Weight	12 oz
Motor	Type	Two-phase hybrid permanent magnet, 1.8°
	Number of Leads	4, 6, or 8
	Inductance Range	0.2 mH–80 mH

* Drive shuts down in conditions listed. Power must be cycled or drive reset to resume operations.

Quality Products Designed and Priced for OEMs and High-Volume Users. Call 1-800-358-9070.

OEM 750X



Compact, Low-Cost Microstepping Drives with Integrated Controller

Compumotor's OEM750X microstepping drive/controller combines the power, performance, packaging, and reliability of the OEM750 with the simple programmability of a built-in, RS-232C based controller. The "X" version is a cost-effective, single-axis control system to meet your high-volume application needs.

Features

Performance

All of the high performance found in the OEM750 plus:

- Built-in stand-alone controller

I/O

- Standard RS-232C serial communications interface
- Incremental encoder support for position tracking, stall detection, and position maintenance
- Three sequence select inputs for program initiation by an external device
- End of Travel and Home inputs

Language

- Simple Compumotor X Language
- Optional 2K bytes of battery-backed RAM to store up to 7 command sequences (-M2 option)
- Address selectable for daisy chaining up to 8 units

Protection

- Short circuit protected—phase-to-phase, and phase-to-ground
- Status/fault LED indicators to confirm proper operation

Protection (continued)

- Power dump circuitry to protect drive from regeneration caused by large inertial loads
- Self-test feature to verify proper system operation
- Overtemperature circuitry protects the drive from thermal damage
- Certified as UL-recognized component
- CE marked with LVD compliance

Physical

- ASIC and surface-mount technology minimize product footprint, overall package size, and increase product reliability
- Removable snap-on molded cover for convenient configuration and protection against contaminants
- Optically isolated fault output for imbedded applications
- Heat plate design allows thermal dissipation through a suitable heat dissipating mounting surface
- Simplified, two-screw mounting
- Right-angle screw terminal allows side-to-side mounting, or Eurorack compatibility
- Overall dimensions 5.0 x 3.6 x 1.6 in. (127 x 91 x 41 mm)
- Convenient configuration DIP switches

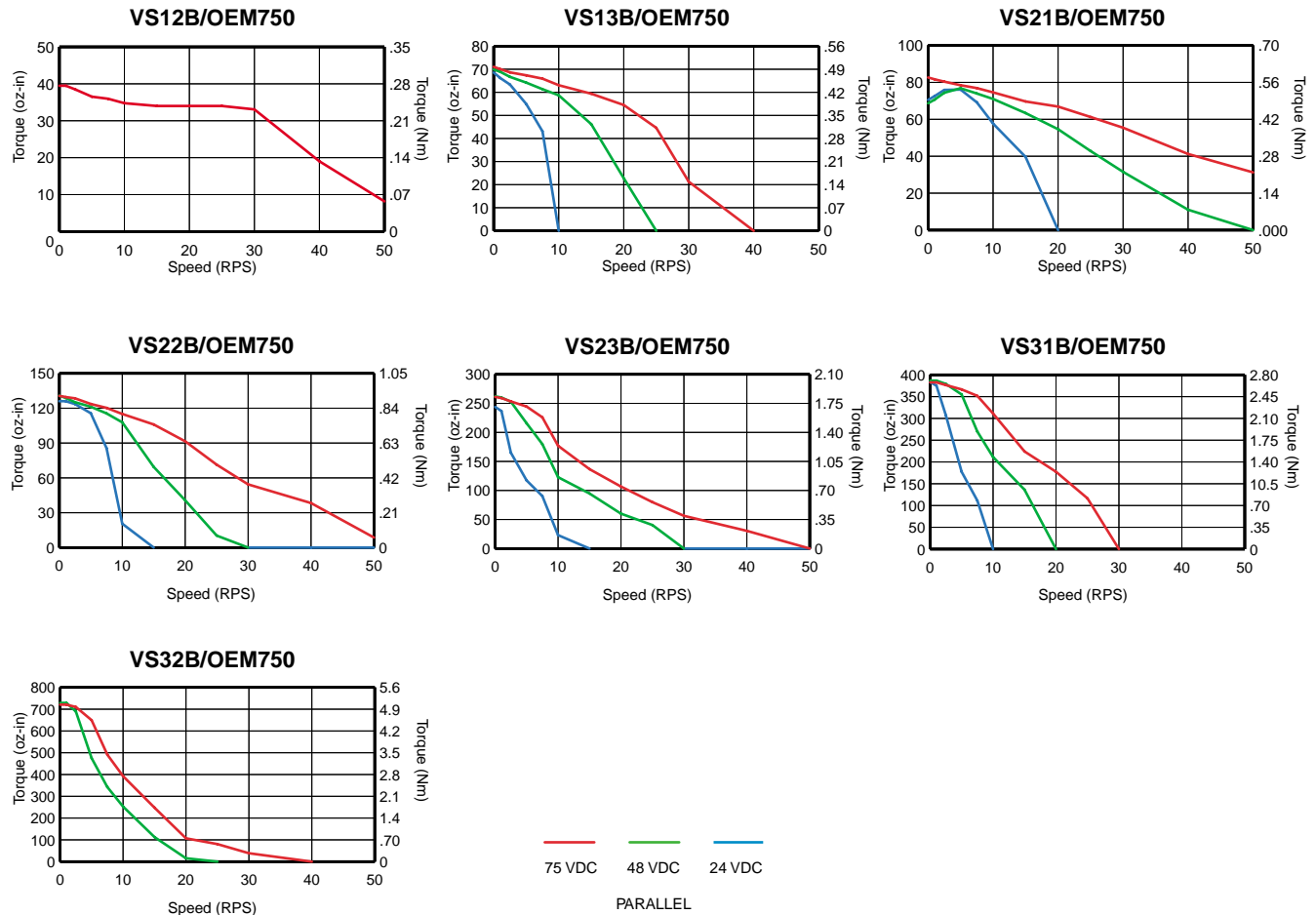
OEM750X Specifications

Parameter	Value
Power Input	DC 24–75 VDC @ 2.0 Arms (motor dependent)
Performance	<p>Accuracy ±5 arc min (0.0833°) typical. Unloaded-bidirectional with Compumotor supplied motors. Other motors may exhibit different absolute accuracy. ±1 arc min (0.0167°) typical. Loaded-in addition to unloaded accuracy, per each frictional load equal to 1% rated torque.</p> <p>Repeatability ±5 arc sec (0.0014°) typical. Unloaded-one revolution returning to start point from same direction.</p> <p>Hysteresis Less than 2 arc min (0.0334°) unloaded-bidirectional.</p> <p>Resolution 16 selectable choices: 200, 400, 1000, 2000, 5000, 10000, 12800, 18000, 20000, 21600, 25000, 25400, 25600, 36000, 50000, 50800</p> <p>Waveform Selectable. Allows waveform shaping for optimum smoothness or relative accuracy. Pure sine; -4%, -6%, -8%, -10% 3rd harmonic.</p>
RS-232C Interface	<p>Connection 3-wire implementation (Tx, Rx, Gnd)</p> <p>Parameters 9,600 baud rate, 8 data bits, 1 stop bit, no parity</p> <p>Configurations Up to 8 OEM750X units can be controlled from a single host RS-232C port in a daisy chain configuration</p>
Inputs	<p>Sequence Select Inputs Three inputs to be used to select and run motion programs and for interactive machine control; Logic High = 2.0–5.0V; Logic Low = 0–0.8V</p> <p>Trigger Inputs Logic High = 2.0–5.0V; Logic Low = 0–0.8V</p> <p>Limits and Home Logic High = 2.0–5.0V; Logic Low = 0–0.8V</p>
Encoder	<p>A, B and Z Channel Single-ended, active high; Logic Low = 0–0.8V; Logic High = 2.0–5.0V</p> <p>Max Frequency 160 kHz (pre-quadrature)</p> <p>Min Pulse Width (Z) 500 nsecs</p>
Outputs	<p>2 Programmable Outputs Logic Low = maximum of 0.44 V (sinks to 24 mA)</p> <p>Fault Output Logic high = 5V, Logic low = .8V (output can sink up to 50mA from the load)</p>
Amplifier	<p>Type 20 kHz fixed frequency, variable duty cycle pulse width modulated (PWM) Current controlled, bipolar chopper</p> <p>Number of Phases 2</p> <p>Output Current 0.2–7.5 amps current per phase peak (selectable)</p> <p>Drive Supply Voltage 24–75 VDC (dependent on external power supply)</p> <p>Standby Current Reduction 25%, 50%, or 75% of selected motor current</p> <p>Nominal Chopping Frequency 20 kHz</p> <p>Maximum Stepping Rate 2 MHz maximum pulse rate; 50 rps maximum speed</p>
Protective Circuits	<p>Short Circuit* Phase-to-phase, phase-to-ground</p> <p>Brownout If DC supply drops below 24 VDC</p> <p>Overtemperature* Drive will fault if heat plate exceeds 55°C</p>
Environmental	<p>Drive Max allowable ambient temperature is 122°F (50°C). Fan cooling may be required if airflow is restricted Max allowable heatplate temperature is 55°C.</p> <p>Humidity 0 to 95%, Non-condensing</p>
Physical	<p>Drive Dimensions 5.0 x 3.6 x 1.6 in (127 x 91 x 41 mm)</p> <p>Weight 14 oz</p>
Motor	<p>Type Two-phase hybrid permanent magnet, 1.8°</p> <p>Number of Leads 4, 6, or 8</p> <p>Inductance Range 0.2 mH–80 mH</p>
* Drive shuts down in conditions listed. Power must be cycled to resume operations.	

Quality Products Designed and Priced for OEMs and High-Volume Users. Call 1-800-358-9070.

Motor Speed-Torque Performance Curves

OEM750/OEM750X with VS Motos, 17 and 23 frame sizes, 75 VDC

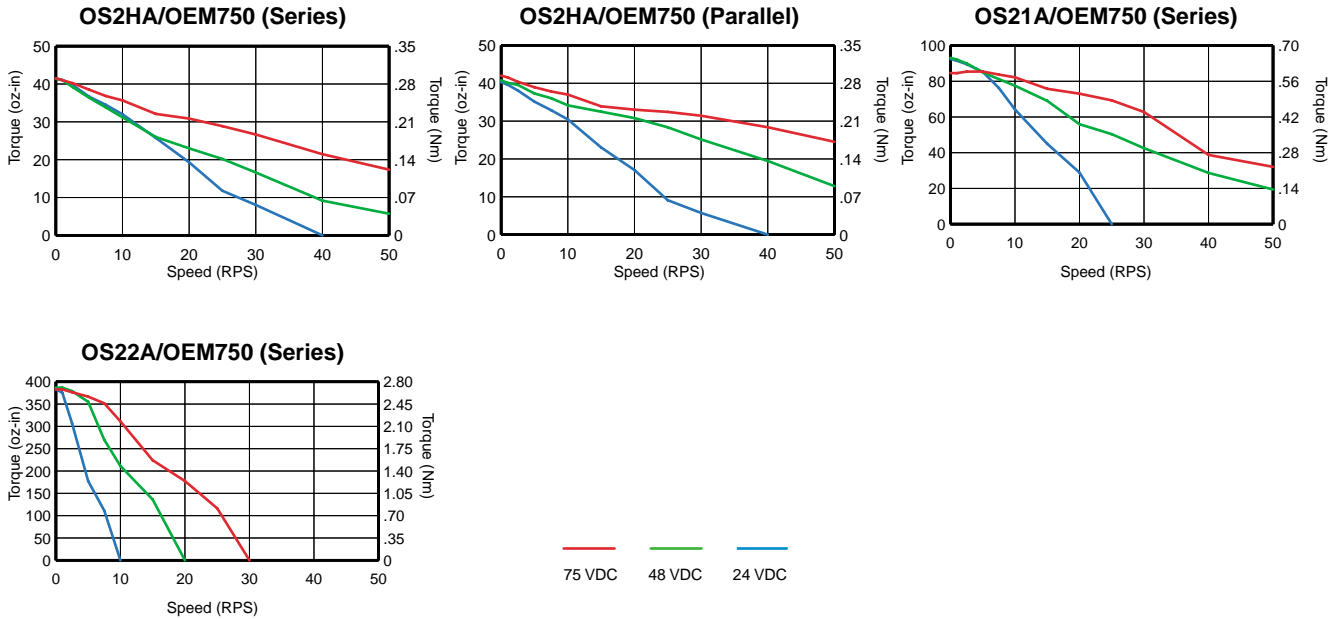


* Parallel connection consideration: For greater than 50% duty cycle above 5 rps, fan cooling the motor may be required.

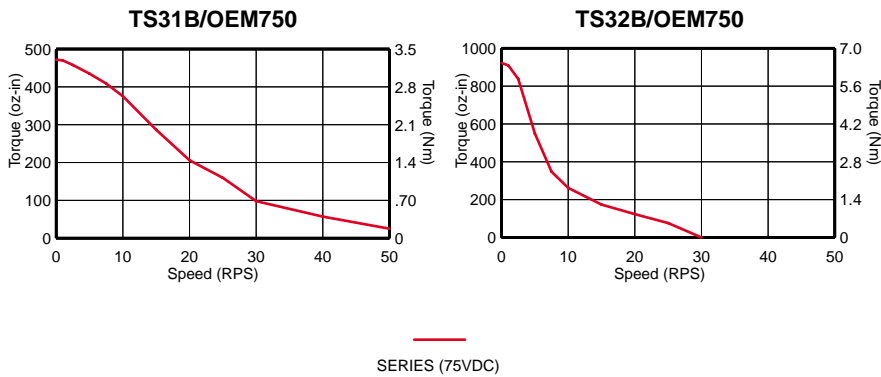
Note: ±10% torque variance due to motor tolerance.

Motor Speed-Torque Performance Curves

OEM750/OEM750X with OS Motors, 23 frame size, 75 VDC



OEM750X with TS Motors

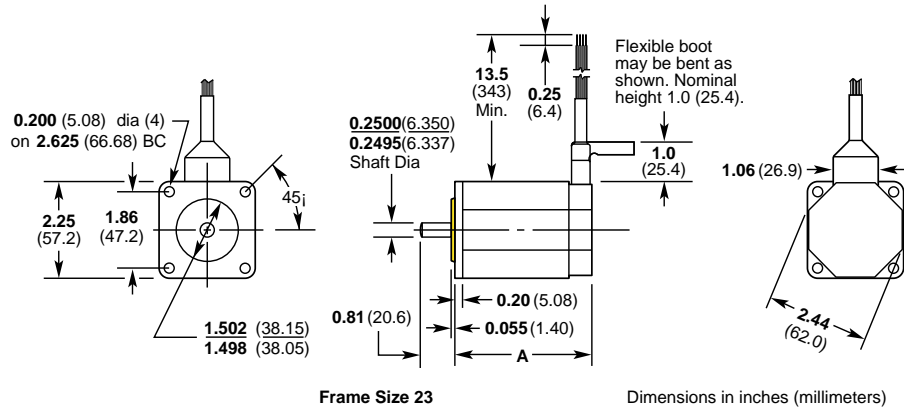


Quality Products Designed and Priced for OEMs and High-Volume Users. Call 1-800-358-9070.

OEM750/OEM750X Motor Dimensional Drawings

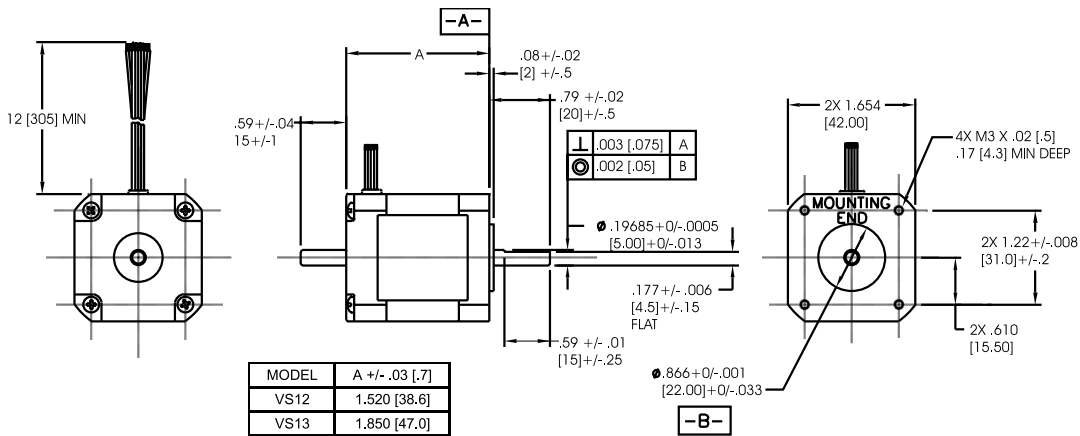
Dimensions in inches (mm)

O Series and OEM57 Motors, Size 23 Frame

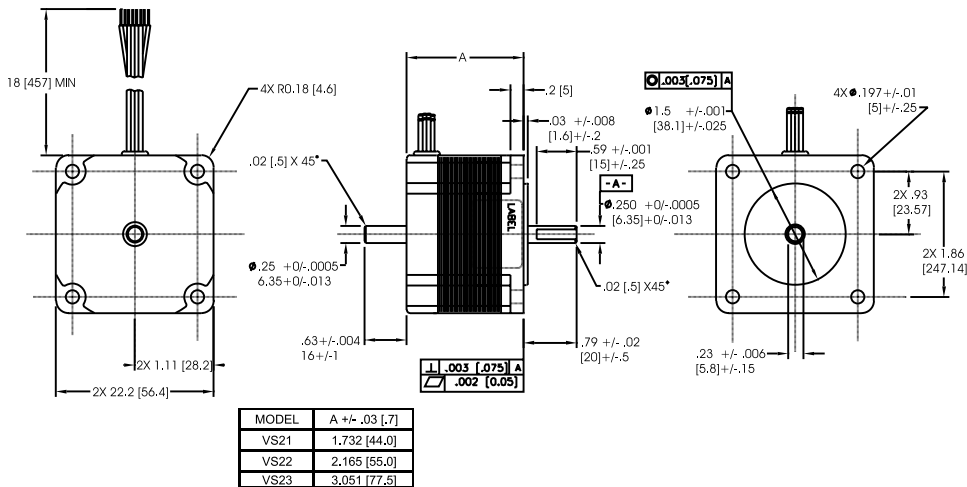


Model	Lmax A
OS2HA (OEM57-40)	1.60 (40.7)
OS21A (OEM57-51)	2.06 (52.4)
OS22A (OEM57-83)	3.10 (78.8)

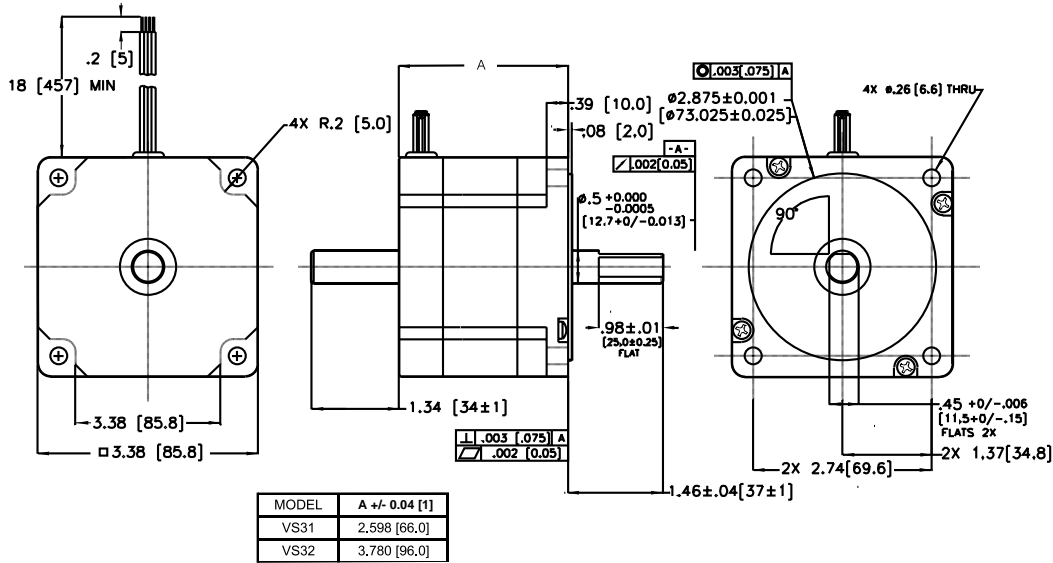
VS Motors, Size 17 Frame



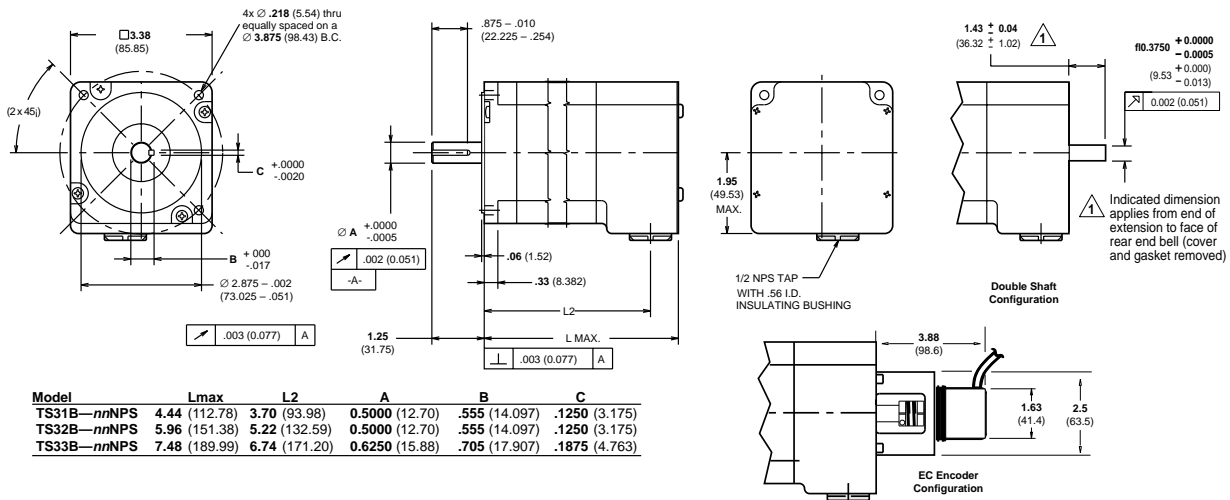
Size 23 Frame



VS Motors, continued
Size 34 Frame



T Series, Size 34 Frame



Quality Products Designed and Priced for OEMs and High-Volume Users. Call 1-800-358-9070.

**OS and TS Series
 Motor Specifications
 Sizes 23 and 34 Frame**

		Size 23 Frame			Size 34 Frame	
		OS2HA	OS21A	OS22A	TS31B	TS32B
Static torque	oz-in	37	66	133	455	647
	(Nm)	(0.26)	(0.47)	(0.94)	(3.19)	(4.53)
Rotor Inertia	oz-in ²	0.386	0.656	1.390	7.80	14.67
	(kg-cm ²)	(0.070)	(0.119)	(0.253)	(1.43)	(2.68)
Drive Current (Apk)(Arms)	Series	2.65 (1.9)	3.3 (2.3)	3.8 (2.7)	3.3 (2.3)	3.1 (2.2)
	Parallel	5.3 (3.7)	6.6 (4.7)	7.5 (5.3)	6.7 (4.7)	6.2 (4.4)
Phase Inductance (mH)	Series	1.7	1.8	2.8	10.3	10.3
	Parallel	0.4	0.4	0.7	2.6	2.6
Dentent Torque	oz-in	2.5	4.0	7.0	18.0	36.0
	(Nm)	(0.018)	(0.028)	(0.049)	(0.30)	(0.25)
Bearings Information						
Thrust Load	lb	13	13	13	305	305
	(kg)	(5.9)	(5.9)	(5.9)	(139)	(139)
Radial Load	lb	20	20	20	65	65
	(kg)	(9.1)	(9.1)	(9.1)	(30)	(30)
End Play (Reversing Load Equal to 1 lb)	in	0.001	0.001	0.001	0.001	0.001
	(mm)	(0.025)	(0.025)	(0.025)	(0.025)	(0.025)
Radial Play (Per 0.5 lb load)	in	0.0008	0.0008	0.0008	0.0008	0.0008
	(mm)	(0.02)	(0.02)	(0.02)	(0.02)	(0.02)
Motor Weight	lb	1	1.5	2.5	5.0	8.4
	(kg)	(0.45)	(0.68)	(1.14)	(2.3)	(3.8)
Certifications	UL recognized	Pending	Pending	Pending	Yes	Yes
	CE (LVD)	Yes	Yes	Yes	Yes	Yes
	CE (EMC)	No	No	No	w/C10 kit	w/C10 kit

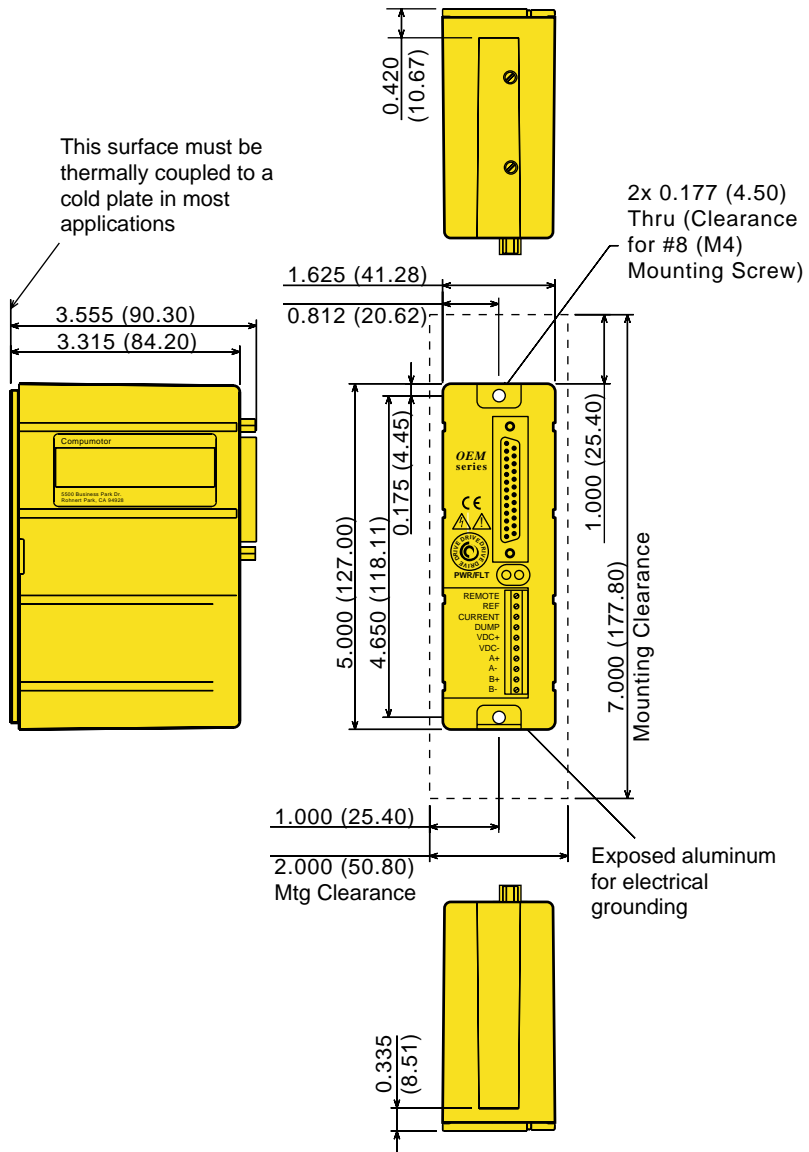
**VS Series
 Motor Specifications
 Size 17, 23 and 34 Frame**

Parameters	Size 17 Frame		Size 23 Frame			Size 34 Frame		
	VS12B	VS13B	VS21B	VS22B	VS23B	VS31B	VS32B	
Static torque	oz-in (Nm)	55.27 (0.39)	72.8 (0.51)	115.5 (0.82)	194.5 (1.37)	334.5 (2.36)	551.8 (3.90)	1269.67 (8.97)
Rotor inertia	oz-in ² (kg-cm ²)	0.3 (0.054)	0.37 (0.068)	0.66 (0.12)	1.64 (0.3)	2.62 (0.48)	7.65 (1.4)	14.8 (2.7)
Drive Current (Apk)(Arms)	Series Parallel	1 (0.71) 2.0 (1.42)	1.01(0.71) 2.02 (1.43)	2.26 (1.6) 4.52 (3.2)	2.01 (1.42) 4.02 (2.84)	2.01 (1.42) 4.02 (2.84)	3.0 (2.12) 6.0 (4.24)	3.13 (2.21) 3.26 (4.42)
Phase Inductance (mH)	Series Parallel	12.8 (3.2)	11.2 (2.8)	5 (1.25)	12 (3.0)	15.4 (3.85)	15.8 (3.95)	25.0 (6.25)
Detent Torque	oz-in (N-m)	2.5 (0.02)	4.0 (0.03)	7.0 (0.05)	8.8 (0.06)	18.0 (0.13)	27.0 (0.19)	50 (0.35)
Bearings Information								
Thrust Load	lb (kg)	11.0 (5)	11.0 (5)	17.6 (8)	17.6 (8)	17.6 (8)	35.3 (16)	35.3 (16)
Radial Load	lb (kg)	7.7 (3.5)	7.7 (3.5)	15.0 (6.8)	15.0 (6.8)	15.0 (6.8)	30.9 (14)	30.9 (14)
End Play (with 2.2 lbs axial load)	in (mm)	0.003 (0.075)	0.003 (0.075)	0.003 (0.075)	0.003 (0.075)	0.003 (0.075)	0.0032 (0.080)	0.0032 (0.080)
Radial Play (with 1.1 lb radial load)	in (mm)	0.001 (0.025)	0.001 (0.025)	0.001 (0.025)	0.001 (0.025)	0.001 (0.025)	0.0008 (0.020)	0.0008 (0.020)
Motor Weight	lb (kg)	0.55 (0.25)	0.77 (0.35)	1.03 (0.47)	1.54 (0.7)	2.2 (1.0)	3.86 (1.75)	6.18 (2.8)
Certifications	UL recognized	No	No	No	No	No	No	No

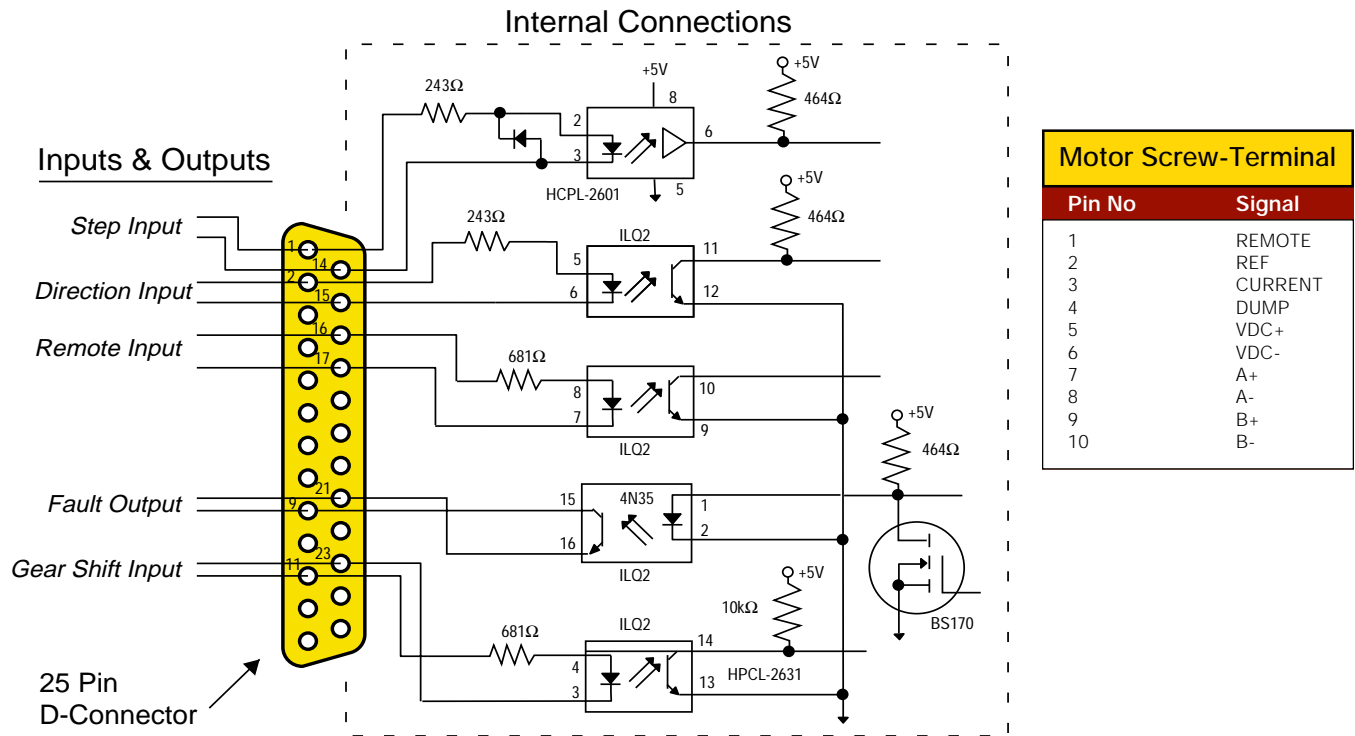
Quality Products Designed and Priced for OEMs and High-Volume Users. Call 1-800-358-9070.

OEM750/OEM750X Dimensional Drawings

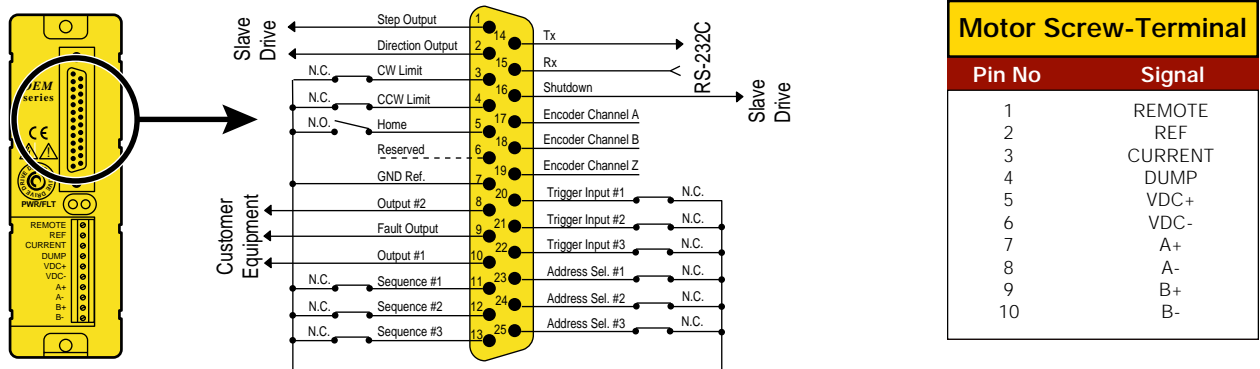
Dimensions in inches (mm)





OEM750 Drive Connections



OEM750X Drive/Indexer Connections



Quality Products Designed and Priced for OEMs and High-Volume Users. Call 1-800-358-9070.

Ordering Information							
Drive  and CE (LVD)	<table border="1"> <thead> <tr> <th>Part No.</th> <th>Description</th> </tr> </thead> <tbody> <tr> <td>OEM750</td> <td>0.15–7.5 Apk, Microstepping Drive</td> </tr> </tbody> </table>	Part No.	Description	OEM750	0.15–7.5 Apk, Microstepping Drive		
Part No.	Description						
OEM750	0.15–7.5 Apk, Microstepping Drive						
Option	<table border="1"> <thead> <tr> <th>Part No.</th> <th>Description</th> </tr> </thead> <tbody> <tr> <td>M2-KIT</td> <td>Memory Upgrade Kit (2KBytes Battery-Backed RAM)</td> </tr> </tbody> </table>	Part No.	Description	M2-KIT	Memory Upgrade Kit (2KBytes Battery-Backed RAM)		
Part No.	Description						
M2-KIT	Memory Upgrade Kit (2KBytes Battery-Backed RAM)						
Drive/Controller  and CE (LVD)							
<table border="1"> <thead> <tr> <th>Part No.</th> <th>Description</th> </tr> </thead> <tbody> <tr> <td>OEM750X</td> <td>0.15–7.5 Apk, Microstepping Drive/Controller</td> </tr> <tr> <td>OEM750X-M2</td> <td>OEM750X w/ 2KBytes Battery-Backed RAM Upgrade</td> </tr> </tbody> </table>		Part No.	Description	OEM750X	0.15–7.5 Apk, Microstepping Drive/Controller	OEM750X-M2	OEM750X w/ 2KBytes Battery-Backed RAM Upgrade
Part No.	Description						
OEM750X	0.15–7.5 Apk, Microstepping Drive/Controller						
OEM750X-M2	OEM750X w/ 2KBytes Battery-Backed RAM Upgrade						

Motor Ordering Information

O Series (CE(LVD), UL Pending)

Series	Type	Frame Size	No. of Rotor Stacks	Winding Type	Shaft	Shaft Modification	Motor Construction/ Hookup	Encoder Option
O (Octagonal)	S=Standard	2=Size 23	H=Half stacks 1=1 stack 2=2 stacks	A=75VDC winding (Gray painting motors) B=170VDC winding (Black painted motors)	S=Single D=Double (Double shaft req'd for all motors with encoders)	N=Standard smooth F=Flat (.02" depth) (0.5" length)	FLY=Regular construction with flying (8) leads, 12" L10= Regular construction with 10' LVD cable	Blank=No feedback (no dash required) HJ=512 ppr single-ended kit encoder w/12" flying leads (only available on A winding motors) RE=1000 ppr differential kit encoder w/ line driver & 13" braided shield cable (w/ FLY only) RC=1000 ppr differential kit encoder w/ line driver & 10' cable

V Series (UL)

Series	Type	Frame Size	No. of Rotor Stacks	Winding Type	Shaft	Shaft Modification	Motor Construction/ Hookup
V	S=Standard	1=Size 17 2=Size23 3=Size34	1=1 stack 2=2 stacks 3=3 stacks	B=170VDC winding (black painted motors)	S=Single D=Double	N=Standard (smooth) F=Flat (.02" depth) (.5" length)	FLY - 12" flying leads RIO - 10' cable to flying leads

T Series (CE(LVD), UL)

Series	Type	Frame Size	No. of Rotor Stacks	Winding Type	Shaft	Shaft Modification	Motor Construction/ Hookup	Encoder Option
T (Torque)	S=Standard	3=Size 34 4=Size 42	1=1 stack 2=2 stacks 3=3 stacks	B=170VDC winding (Black painted motors)	S=Single D=Double (Double shaft req'd for all motors w/ encoders)	K= Straight Key (Standard on all T Series Motors)	NPS=End bell/terminal board via 1/2" NPS Pipe thread, no cable S10=CE (LVD)/UL, 10' cable option for NPS construction, wired @ motor in Series P10=CE (LVD)/UL, 10' cable option for NPS construction, wired @ motor in Parallel.	Blank=No feedback (No Dash Required) EC=1000 ppr differential encoder with line driver and 10-ft cable (-E Series)



Artisan Technology Group is your source for quality new and certified-used/pre-owned equipment

- FAST SHIPPING AND DELIVERY
- TENS OF THOUSANDS OF IN-STOCK ITEMS
- EQUIPMENT DEMOS
- HUNDREDS OF MANUFACTURERS SUPPORTED
- LEASING/MONTHLY RENTALS
- ITAR CERTIFIED SECURE ASSET SOLUTIONS

SERVICE CENTER REPAIRS

Experienced engineers and technicians on staff at our full-service, in-house repair center

*InstraView*SM REMOTE INSPECTION

Remotely inspect equipment before purchasing with our interactive website at www.instraview.com ↗

WE BUY USED EQUIPMENT

Sell your excess, underutilized, and idle used equipment. We also offer credit for buy-backs and trade-ins. www.artisanng.com/WeBuyEquipment ↗

LOOKING FOR MORE INFORMATION?

Visit us on the web at www.artisanng.com ↗ for more information on price quotations, drivers, technical specifications, manuals, and documentation

Contact us: (888) 88-SOURCE | sales@artisanng.com | www.artisanng.com