



## Artisan Technology Group is your source for quality new and certified-used/pre-owned equipment

- FAST SHIPPING AND DELIVERY
- TENS OF THOUSANDS OF IN-STOCK ITEMS
- EQUIPMENT DEMOS
- HUNDREDS OF MANUFACTURERS SUPPORTED
- LEASING/MONTHLY RENTALS
- ITAR CERTIFIED SECURE ASSET SOLUTIONS

### SERVICE CENTER REPAIRS

Experienced engineers and technicians on staff at our full-service, in-house repair center

### *InstraView*<sup>SM</sup> REMOTE INSPECTION

Remotely inspect equipment before purchasing with our interactive website at [www.instraview.com](http://www.instraview.com) ↗

### WE BUY USED EQUIPMENT

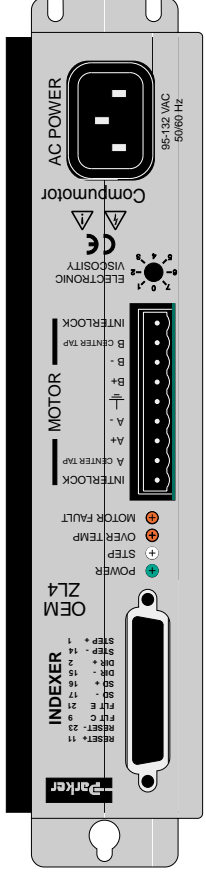
Sell your excess, underutilized, and idle used equipment. We also offer credit for buy-backs and trade-ins. [www.artisanng.com/WeBuyEquipment](http://www.artisanng.com/WeBuyEquipment) ↗

### LOOKING FOR MORE INFORMATION?

Visit us on the web at [www.artisanng.com](http://www.artisanng.com) ↗ for more information on price quotations, drivers, technical specifications, manuals, and documentation

**Contact us:** (888) 88-SOURCE | [sales@artisanng.com](mailto:sales@artisanng.com) | [www.artisanng.com](http://www.artisanng.com)

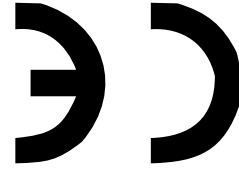
# Quick Reference Guide



# OEMZL4 Stepper Drive



Computer Division  
 Parker Hannifin Corporation  
 p/n 88-018139-01 B  
 September 1, 1999



Product Type: OEMZL4 Step Motor Drive

The above product is in compliance with the requirements of directives  
 • 72/23/EEC Low Voltage Directive  
 • 93/68/EEC CE Marking Directive

## Additional Information:

For complete user documentation, please refer to the Computer web site ([www.computor.com](http://www.computor.com)) where User Guides can be found on-line or hard copies requested.

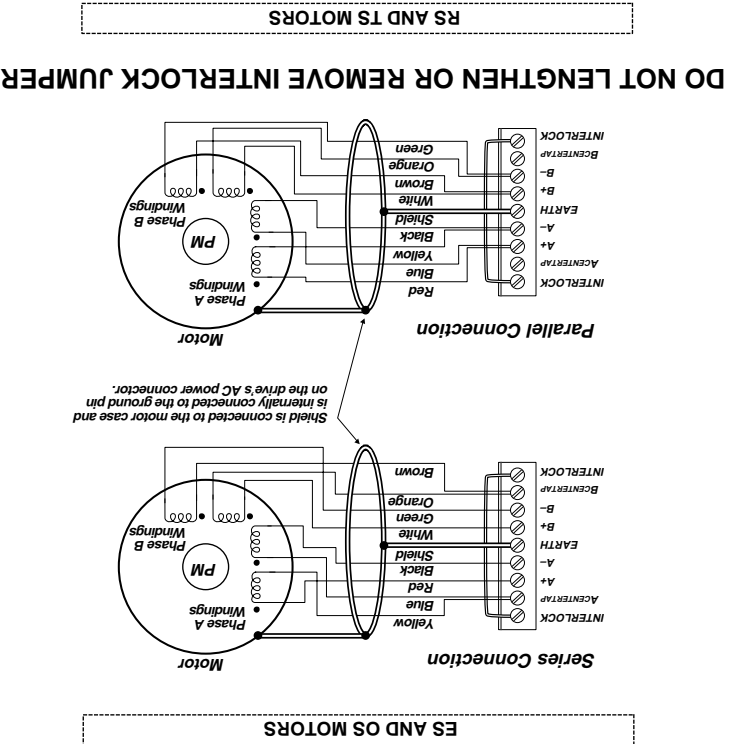
*For questions, please contact:*

Technical Assistance, Applications Engineering Department  
 (e-mail [tech\\_help@computor.com](mailto:tech_help@computor.com) or call 800-358-9070 North America, 707-584-7558 International).

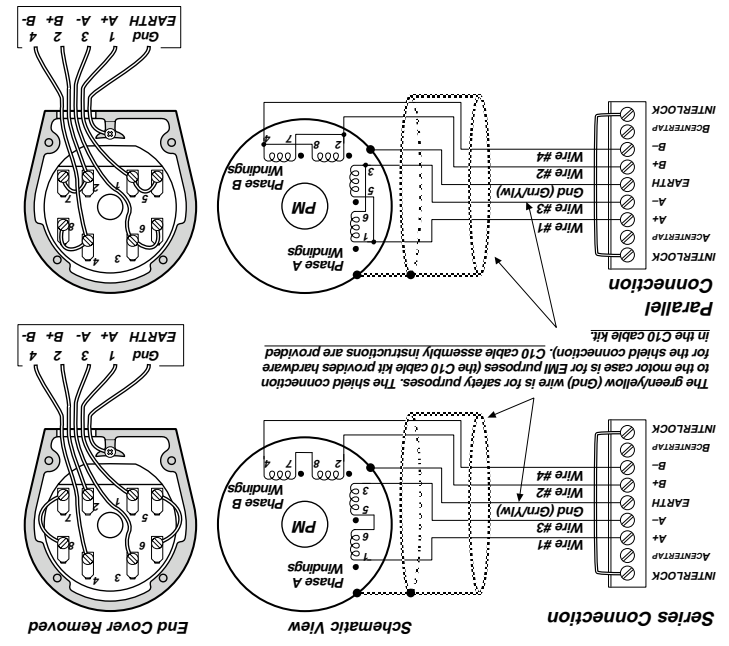
The following table describes which User Guides are applicable to the OEMZL4:

Part Number	Title
88-014027-01	ZETA4 User Guide Note: All information contained within this user guide is applicable with the exception of the Active Damping feature. All references to this feature should be ignored.
88-015920-01	ZETA4 Drive and ZETA6104 Indexer/Driver User Guide Addendum LVD Installation Instructions Note: All information contained within this document is applicable to the OEMZL6104.
88-015436-01	EMC Installation Guide Note: Refer to the Step Motor Drives section of this document for applicable information

**MOTOR CONNECTIONS**

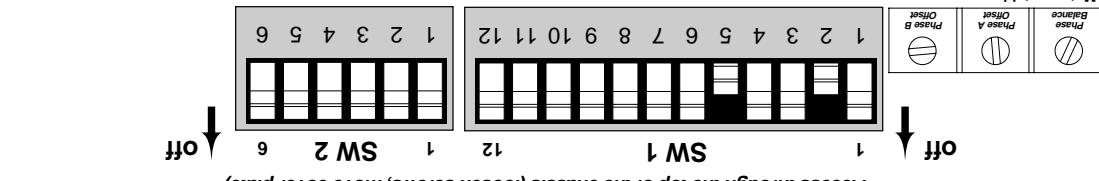


**DO NOT LENGTHEN OR REMOVE INTERLOCK JUMPER**



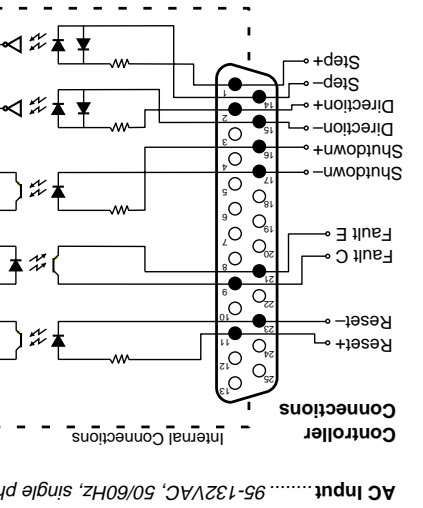
**DO NOT LENGTHEN OR REMOVE INTERLOCK JUMPER**

**DIP SWITCH SETTINGS**



Resolution <sup>2</sup>	50,000 steps	36,000 steps	25,000 steps	21,600 steps	20,000 steps	18,000 steps	10,000 steps	5,000 steps	2,000 steps	400 steps	200 steps
ES31BP, ES22BP, ES33BP	4.00	on	on	on	on	on	on	on	on	on	on
	3.88	on	on	on	on	on	on	on	on	on	on
	3.75	on	on	on	on	on	on	on	on	on	on
	3.63	on	on	on	on	on	on	on	on	on	on
ES33BS	3.50	on	on	on	on	on	on	on	on	on	on
	3.38	on	on	on	on	on	on	on	on	on	on
ES22BP	3.13	on	on	on	on	on	on	on	on	on	on
	3.01	on	on	on	on	on	on	on	on	on	on
ES32BS	2.88	on	on	on	on	on	on	on	on	on	on
	2.76	on	on	on	on	on	on	on	on	on	on
	2.63	on	on	on	on	on	on	on	on	on	on
ES21BP	2.38	on	on	on	on	on	on	on	on	on	on
ES31BS	2.26	on	on	on	on	on	on	on	on	on	on
	2.14	on	on	on	on	on	on	on	on	on	on
	2.01	on	on	on	on	on	on	on	on	on	on
ES23BS	1.76	off	on	on	on	on	on	on	on	on	on
	1.63	off	on	on	on	on	on	on	on	on	on
ES22BS	1.51	off	on	on	on	on	on	on	on	on	on
	1.38	off	on	on	on	on	on	on	on	on	on
ES21BS	1.26	off	on	on	on	on	on	on	on	on	on
	1.14	off	on	on	on	on	on	on	on	on	on
	1.01	off	on	on	on	on	on	on	on	on	on
	0.89	off	on	on	on	on	on	on	on	on	on
	0.76	off	on	on	on	on	on	on	on	on	on
	0.64	off	on	on	on	on	on	on	on	on	on
	0.51	off	on	on	on	on	on	on	on	on	on
	0.39	off	on	on	on	on	on	on	on	on	on
	0.26	off	on	on	on	on	on	on	on	on	on
	0.14	off	on	on	on	on	on	on	on	on	on

**INPUTS & OUTPUTS**



**STATUS LEDS**

**POWER**  
Green when power is on

**STEP**  
Flashes Red/Green in auto test

**OVER TEMP**  
Red indicates over temp fault

**MOTOR FAULT**  
Red when drive detects short circuit in motor or motor cable;

Red if interlock is open

**WAVEFORM<sup>2</sup>**

Resolution <sup>2</sup>	50,000 steps	36,000 steps	25,000 steps	21,600 steps	20,000 steps	18,000 steps	10,000 steps	5,000 steps	2,000 steps	400 steps	200 steps
ES31BP, ES22BP, ES33BP	4.00	on	on	on	on	on	on	on	on	on	on
	3.88	on	on	on	on	on	on	on	on	on	on
	3.75	on	on	on	on	on	on	on	on	on	on
	3.63	on	on	on	on	on	on	on	on	on	on
ES33BS	3.50	on	on	on	on	on	on	on	on	on	on
	3.38	on	on	on	on	on	on	on	on	on	on
ES22BP	3.13	on	on	on	on	on	on	on	on	on	on
	3.01	on	on	on	on	on	on	on	on	on	on
ES32BS	2.88	on	on	on	on	on	on	on	on	on	on
	2.76	on	on	on	on	on	on	on	on	on	on
	2.63	on	on	on	on	on	on	on	on	on	on
ES21BP	2.38	on	on	on	on	on	on	on	on	on	on
ES31BS	2.26	on	on	on	on	on	on	on	on	on	on
	2.14	on	on	on	on	on	on	on	on	on	on
	2.01	on	on	on	on	on	on	on	on	on	on
ES23BS	1.76	off	on	on	on	on	on	on	on	on	on
	1.63	off	on	on	on	on	on	on	on	on	on
ES22BS	1.51	off	on	on	on	on	on	on	on	on	on
	1.38	off	on	on	on	on	on	on	on	on	on
ES21BS	1.26	off	on	on	on	on	on	on	on	on	on
	1.14	off	on	on	on	on	on	on	on	on	on
	1.01	off	on	on	on	on	on	on	on	on	on
	0.89	off	on	on	on	on	on	on	on	on	on
	0.76	off	on	on	on	on	on	on	on	on	on
	0.64	off	on	on	on	on	on	on	on	on	on
	0.51	off	on	on	on	on	on	on	on	on	on
	0.39	off	on	on	on	on	on	on	on	on	on
	0.26	off	on	on	on	on	on	on	on	on	on
	0.14	off	on	on	on	on	on	on	on	on	on

Default Setting

Default Setting

Resolution<sup>2</sup> (steps per revolution)

WAVEFORM<sup>2</sup>

Default Setting

-4% 3rd harmonic

-10% 3rd harmonic

-5% 3rd harmonic

Pure sine

AUTOMATIC TEST<sup>2</sup>

6 7 8 9 10 11

Step & Direction Indexer

Step & Direction Indexer

12

<sup>2</sup> The drive reads these switches only upon power up. It reads all other switches continuously.



## Artisan Technology Group is your source for quality new and certified-used/pre-owned equipment

- FAST SHIPPING AND DELIVERY
- TENS OF THOUSANDS OF IN-STOCK ITEMS
- EQUIPMENT DEMOS
- HUNDREDS OF MANUFACTURERS SUPPORTED
- LEASING/MONTHLY RENTALS
- ITAR CERTIFIED SECURE ASSET SOLUTIONS

### SERVICE CENTER REPAIRS

Experienced engineers and technicians on staff at our full-service, in-house repair center

### *InstraView*<sup>SM</sup> REMOTE INSPECTION

Remotely inspect equipment before purchasing with our interactive website at [www.instraview.com](http://www.instraview.com) ↗

### WE BUY USED EQUIPMENT

Sell your excess, underutilized, and idle used equipment. We also offer credit for buy-backs and trade-ins. [www.artisanng.com/WeBuyEquipment](http://www.artisanng.com/WeBuyEquipment) ↗

### LOOKING FOR MORE INFORMATION?

Visit us on the web at [www.artisanng.com](http://www.artisanng.com) ↗ for more information on price quotations, drivers, technical specifications, manuals, and documentation

**Contact us:** (888) 88-SOURCE | [sales@artisanng.com](mailto:sales@artisanng.com) | [www.artisanng.com](http://www.artisanng.com)