



Artisan Technology Group is your source for quality new and certified-used/pre-owned equipment

- FAST SHIPPING AND DELIVERY
- TENS OF THOUSANDS OF IN-STOCK ITEMS
- EQUIPMENT DEMOS
- HUNDREDS OF MANUFACTURERS SUPPORTED
- LEASING/MONTHLY RENTALS
- ITAR CERTIFIED SECURE ASSET SOLUTIONS

SERVICE CENTER REPAIRS

Experienced engineers and technicians on staff at our full-service, in-house repair center

*InstraView*SM REMOTE INSPECTION

Remotely inspect equipment before purchasing with our interactive website at www.instraview.com ↗

WE BUY USED EQUIPMENT

Sell your excess, underutilized, and idle used equipment. We also offer credit for buy-backs and trade-ins. www.artisanng.com/WeBuyEquipment ↗

LOOKING FOR MORE INFORMATION?

Visit us on the web at www.artisanng.com ↗ for more information on price quotations, drivers, technical specifications, manuals, and documentation

Contact us: (888) 88-SOURCE | sales@artisanng.com | www.artisanng.com

**1000/2000 Series****SPINDLEBLOK® MODULE****120-460 VAC****1-5 Hp/1000 Series****7.5-20 Hp/2000 Series****Features**

- Features SensorlesServo™ precision speed and torque control for use with three phase AC induction motors.
- Optimized spindle acceleration and deceleration profiles, linear profiles optional.
- Widest possible constant power range.
- 200% overload torque capability down to 1% of base speed.
- Allows spindle orient moves using open loop control where an external controller closes a position loop based on an external position input.
- Automatic speed fold-back when current limit or the slip limit is reached. The driven motor will not pull out.
- Rapid and accurate torque limits
- Eight Digital Inputs:
Run Enable, Run Forward, Run Reverse, External Fault, Preset speeds, Run, Reverse, Forward Enable, Reverse Enable, Default / Alternate Speed Regulator or Open Loop
- Two Open Collector, Two Relay Outputs:
Set High, Set Low, At Speed, Out of Regulation, Run, Reverse, Overload Alert, Over Temperature Alert, Speed Detect Low, Speed Detect High, Torque Detect Low, Torque Detect High, Brake Actuate, Fault_xrst, Control Mode, Serial Control, Fault Code Blink
- Two Analog Outputs:
Current, Torque, Speed, Vout, DC Link Voltage, Frequency, Set Level, Heat Sink Temperature
- Provision for directly connecting an external braking resistor.

Specifications**Max. Frequency:**

- 546 Hz

Min. Speed:

- 1% of base speed, induction motor

Speed Accuracy (0-rated load):

- Typically +/- 0.5% , as % of base speed

Constant Torque Speed Range:

- 100:1

Torque Response:

- Typical 1.5 ms to 90 % of commanded value

SpindleBlok® Technical Specifications

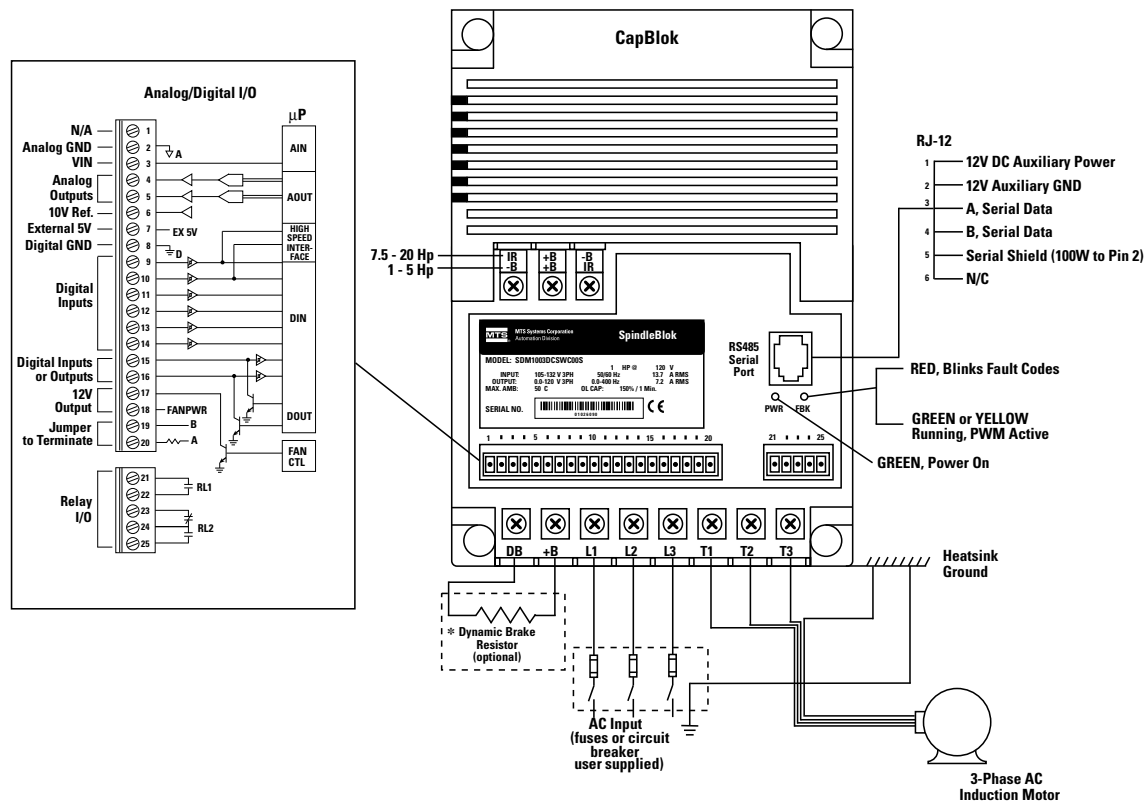
1000 Series

| SpindleBlok Module Type Number | | 1001C | 1002C | 1003C | 1001D | 1002D | 1003D | 1005D | 1001E | 1002E | 1003E | 1005E |
|--------------------------------|------|----------|-------|-------|--------------|-------|-------|--------------|-------|-------|-------|-------|
| SDM, AC Induction Motor | | | | | | | | | | | | |
| AC Line Input Voltage | VAC | 120V±10% | | | 200/240V±10% | | | 380/480V±10% | | | | |
| Cont. Output Cur. (RMS) | Arms | 4.0 | 7.2 | 10.4 | 3.6 | 6.8 | 9.6 | 15.2 | 1.8 | 3.4 | 4.8 | 7.6 |
| | Hp | 0.5 | 1.0 | 1.5 | 1 | 2 | 3 | 5 | 1 | 2 | 3 | 5 |
| | kW | 0.38 | 0.75 | 1.12 | 0.75 | 1.5 | 2.2 | 3.7 | 0.75 | 1.5 | 2.2 | 3.7 |
| % Overload 1 min | % | 150% | 150% | 150% | 150% | 150% | 150% | 150% | 150% | 150% | 150% | 150% |
| % Overload 3 sec | % | 200% | 200% | 200% | 200% | 200% | 200% | 200% | 200% | 200% | 200% | 200% |

2000 Series

| SpindleBlok Module Type Number | | 2007D | 2010D | 2007E | 2010E | 2015E | 2020E |
|--------------------------------|------|--------------|-------|-------|--------------|-------|-------|
| SDM, AC Induction Motor | | | | | | | |
| AC Line Input Voltage | VAC | 200/240V±10% | | | 380/480V±10% | | |
| Cont. Output Cur. (RMS) | Arms | 22 | 28 | 11 | 14 | 21 | 27 |
| | Hp | 7.5 | 10 | 7.5 | 10 | 15 | 20 |
| | kW | 5.6 | 7.5 | 5.6 | 7.5 | 11 | 15 |
| % Overload 1 min | % | 150% | 150% | 150% | 150% | 150% | 110% |
| % Overload 3 sec | % | 200% | 200% | 200% | 200% | 150% | 130% |

Connection Diagram



* Consult Dynamic Brake Resistor Data Sheet for standard available sizes.





Artisan Technology Group is your source for quality new and certified-used/pre-owned equipment

- FAST SHIPPING AND DELIVERY
- TENS OF THOUSANDS OF IN-STOCK ITEMS
- EQUIPMENT DEMOS
- HUNDREDS OF MANUFACTURERS SUPPORTED
- LEASING/MONTHLY RENTALS
- ITAR CERTIFIED SECURE ASSET SOLUTIONS

SERVICE CENTER REPAIRS

Experienced engineers and technicians on staff at our full-service, in-house repair center

*InstraView*SM REMOTE INSPECTION

Remotely inspect equipment before purchasing with our interactive website at www.instraview.com ↗

WE BUY USED EQUIPMENT

Sell your excess, underutilized, and idle used equipment. We also offer credit for buy-backs and trade-ins. www.artisanng.com/WeBuyEquipment ↗

LOOKING FOR MORE INFORMATION?

Visit us on the web at www.artisanng.com ↗ for more information on price quotations, drivers, technical specifications, manuals, and documentation

Contact us: (888) 88-SOURCE | sales@artisanng.com | www.artisanng.com