



Artisan Technology Group is your source for quality new and certified-used/pre-owned equipment

- FAST SHIPPING AND DELIVERY
- TENS OF THOUSANDS OF IN-STOCK ITEMS
- EQUIPMENT DEMOS
- HUNDREDS OF MANUFACTURERS SUPPORTED
- LEASING/MONTHLY RENTALS
- ITAR CERTIFIED SECURE ASSET SOLUTIONS

SERVICE CENTER REPAIRS

Experienced engineers and technicians on staff at our full-service, in-house repair center

*InstraView*SM REMOTE INSPECTION

Remotely inspect equipment before purchasing with our interactive website at www.instraview.com ↗

WE BUY USED EQUIPMENT

Sell your excess, underutilized, and idle used equipment. We also offer credit for buy-backs and trade-ins. www.artisanng.com/WeBuyEquipment ↗

LOOKING FOR MORE INFORMATION?

Visit us on the web at www.artisanng.com ↗ for more information on price quotations, drivers, technical specifications, manuals, and documentation

Contact us: (888) 88-SOURCE | sales@artisanng.com | www.artisanng.com

PC/104-Plus Prototyping Card

Datasheet

Breadboard Card, PC/104-Plus Form Factor

FEATURES & SPECIFICATIONS

Headers:

16-Bit PC/104 (ISA) and 32-bit PC/104-Plus (PCI)

Bus Timing:

PC104-Plus ID Bus Timing Select Switch

Solder Points:

Solder Points for 60 Power (+5V) and 60 Ground Connections in Breadboard Area

LED :

Status LED Indicator

Other Features:

Locations for Address Decoder PALs and Buffers (Data and Low/High Addressing ICs User Supplied); Pre-Routed for Address and Data Signals

Dimensions:

3.550" x 3.775"

Operating Temperature:

-40°C to +85°C

Data Interconnection (U1):

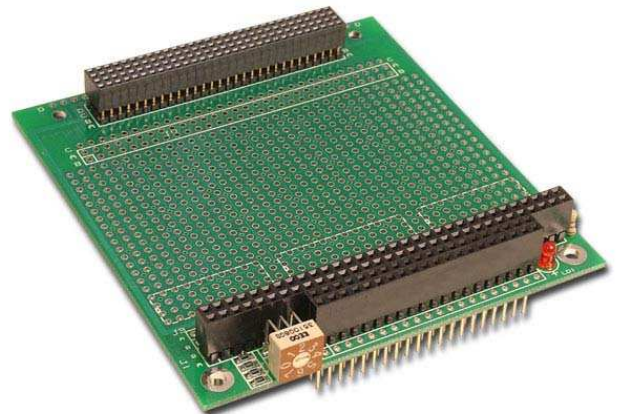
74HC574, 74HC245 or Similar IC (User Supplied)

Low Address Interconnection (U2):

20L8 PAL or Similar IC (User Supplied)

High Address Interconnection (U3):

16L8 or Similar IC (User Supplied)



DESCRIPTION

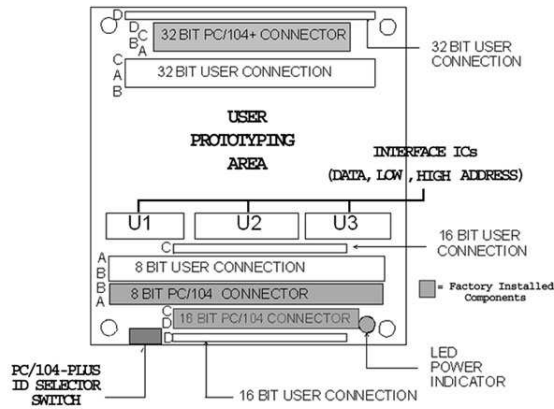
The PC/104-Plus Prototyping Board from Parvus Corporation enables users to rapidly implement and test new circuit board designs and/or build one-of-a kind custom peripheral and interconnection boards. Providing interface chips with standard access to PC/104 and/or PC/104-plus busses, the module incorporates a large prototyping breadboard area for mounting and wiring up to 25 standard 14-pin DIP devices. It also includes a PC104-plus ID bus timing select switch, LED status indicator, and a standard 120-pin, high speed PCI bus connector for applications that may require video, frame-grabber or other high performance capabilities.

Pre-routed for address and data signals, the prototyping module is designed for use with a 74HC574, 74HC245 or similar IC (for data interconnections), 20L8 PAL or similar IC (for low addresses A0-A9), and 16L8 or similar IC (for high addresses A10-A19). The board's prototyping area includes optional connections for PC/104 address bus decoders and data buffers, as well as 60 separate power and ground connection points in the breadboard area. All PC/104 bus pins are individually connected to four strips of "user" bus connector locations to facilitate direct connections to the PC/104 bus and enable simple solder connection and installation of circuits.

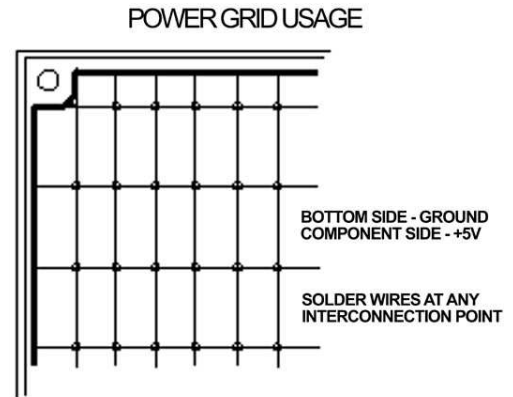
Parvus also offers a PC/104 Prototyping Board, which includes a location for a 10-pin power interface header.



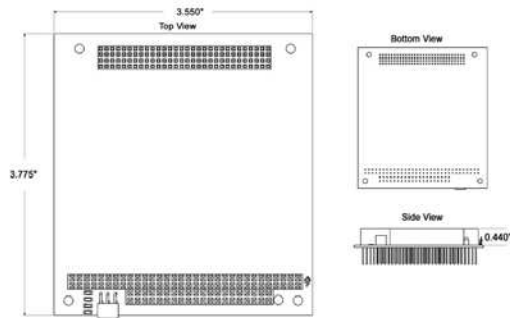
Related Images



Board Components



Power Grid Usage



PC/104-Plus Prototyping Board (PRV-0887X-01)

Dimensional Line Drawing

ORDERING INFORMATION

PART NUMBER	DESCRIPTION
PRV-0887-01	PC/104-Plus Prototyping Card

CONTACT INFORMATION

Parvus Corporation
 3222 South Washington Street
 Salt Lake City, UT 84115 USA

Web: www.parvus.com
 Email: sales@parvus.com
 Phone: (801) 483 1533
 Fax: (801) 483 1523





Artisan Technology Group is your source for quality new and certified-used/pre-owned equipment

- FAST SHIPPING AND DELIVERY
- TENS OF THOUSANDS OF IN-STOCK ITEMS
- EQUIPMENT DEMOS
- HUNDREDS OF MANUFACTURERS SUPPORTED
- LEASING/MONTHLY RENTALS
- ITAR CERTIFIED SECURE ASSET SOLUTIONS

SERVICE CENTER REPAIRS

Experienced engineers and technicians on staff at our full-service, in-house repair center

*InstraView*SM REMOTE INSPECTION

Remotely inspect equipment before purchasing with our interactive website at www.instraview.com ↗

WE BUY USED EQUIPMENT

Sell your excess, underutilized, and idle used equipment. We also offer credit for buy-backs and trade-ins. www.artisanng.com/WeBuyEquipment ↗

LOOKING FOR MORE INFORMATION?

Visit us on the web at www.artisanng.com ↗ for more information on price quotations, drivers, technical specifications, manuals, and documentation

Contact us: (888) 88-SOURCE | sales@artisanng.com | www.artisanng.com