



Artisan Technology Group is your source for quality new and certified-used/pre-owned equipment

- FAST SHIPPING AND DELIVERY
- TENS OF THOUSANDS OF IN-STOCK ITEMS
- EQUIPMENT DEMOS
- HUNDREDS OF MANUFACTURERS SUPPORTED
- LEASING/MONTHLY RENTALS
- ITAR CERTIFIED SECURE ASSET SOLUTIONS

SERVICE CENTER REPAIRS

Experienced engineers and technicians on staff at our full-service, in-house repair center

*InstraView*SM REMOTE INSPECTION

Remotely inspect equipment before purchasing with our interactive website at www.instraview.com ↗

WE BUY USED EQUIPMENT

Sell your excess, underutilized, and idle used equipment. We also offer credit for buy-backs and trade-ins. www.artisanng.com/WeBuyEquipment ↗

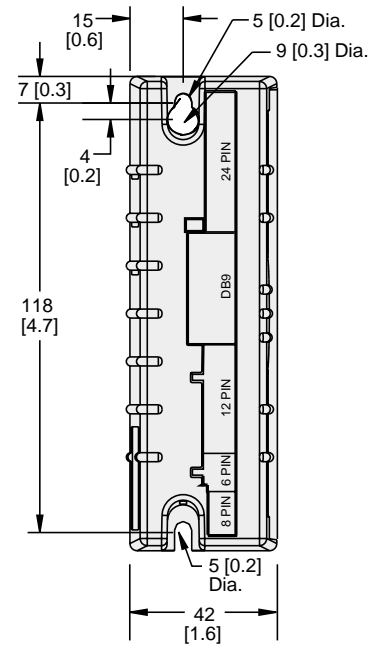
LOOKING FOR MORE INFORMATION?

Visit us on the web at www.artisanng.com ↗ for more information on price quotations, drivers, technical specifications, manuals, and documentation

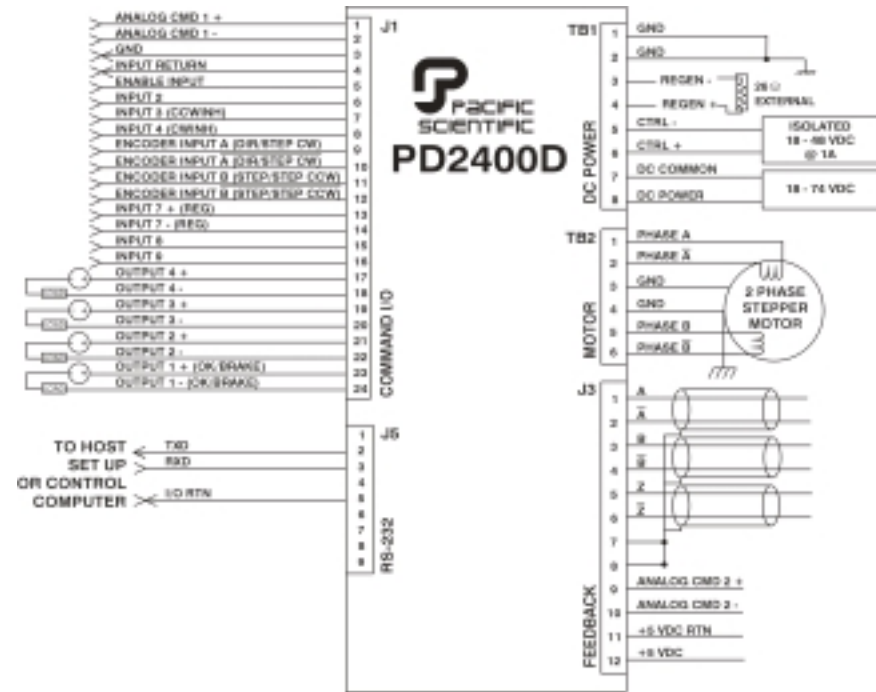
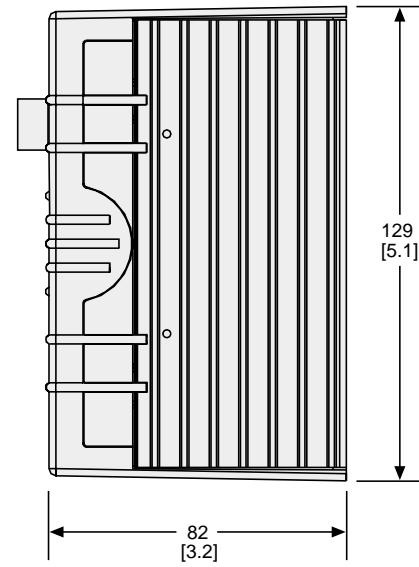
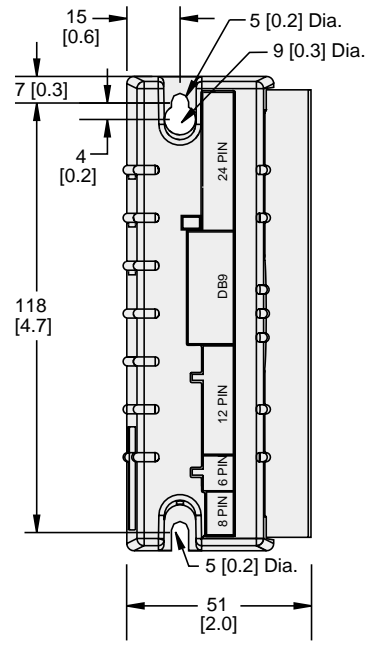
Contact us: (888) 88-SOURCE | sales@artisanng.com | www.artisanng.com

PD2400 SERIES STEPPER DRIVES dimensions **mm**
(in.)

PD2403D



PD2406D



Smart steppers.
Motion simplified.

**PD2400 SERIES
STEPPER DRIVES**



HIGH PERFORMANCE MOTORS & DRIVES

4301 Kishwaukee Street, P.O. Box 106
Rockford, Illinois 61105-0106
(815) 226-3100 Fax (815) 226-3080

Locations:
Rockford, IL Wilmington, MA
Juarez, Mexico

Artisan Technology Group - Quality Instrumentation ... Guaranteed | (888) 88-SOURCE | www.artisanTG.com



PD2400 SERIES STEPPER DRIVES

Need high power and performance in a small stepper drive? Pacific Scientific's PD2400 series mini-stepper is more than capable of providing all the power and performance your application requires. With a 40 kHz Pulse Wave Modulation Frequency, our new, ultra small stepper-drives are the quietest mini-stepper drives available.

But quiet operation does not mean the 2400 series mini-stepper drives won't work hard for you. Measuring only 5 inches in height, they supply up to 6 amps of continuous current per phase for controlling both standard hybrid stepper and low-inertia disc magnet stepper motors. This combination of a small, rugged design and power make them a perfect fit for applications like specialty machinery and semiconductor manufacturing.

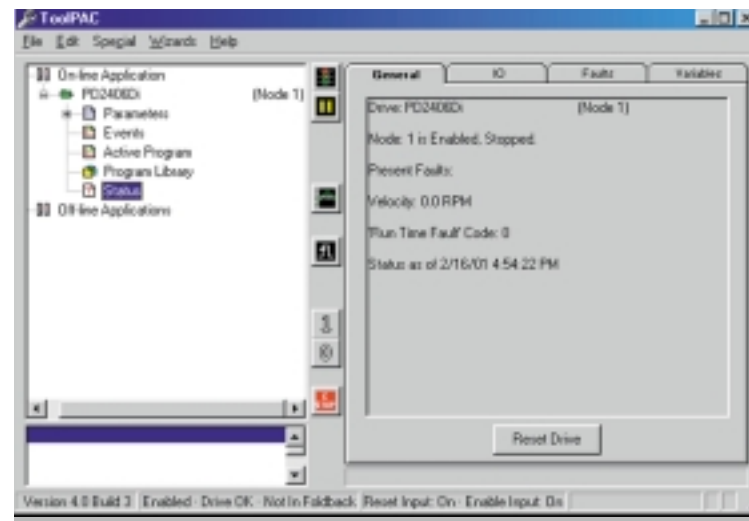
ToolPAC, Pacific Scientific's Windows®-based setup configuration and development utility, makes it easy to set up, program and solve problems in your application. ToolPAC works to set up our new generation of intelligent stepper drives, too — giving you maximum flexibility for your machine's motion.

The on-board, programmable and optically isolated I/O offers 8 inputs, three 5V dc high-speed inputs and three outputs for heightened functionality and high-speed electronic gearing. Global regulatory approvals assure acceptance of your machine — anywhere.

As is the case with all Pacific Scientific products, the PD2400 series of mini-stepper drives are designed to help you get the most out of your equipment. Factor in Pacific Scientific's unparalleled service and support and you'll find a system that's unbeatable.



ToolPAC's Setup Wizard makes drive configuration easy.



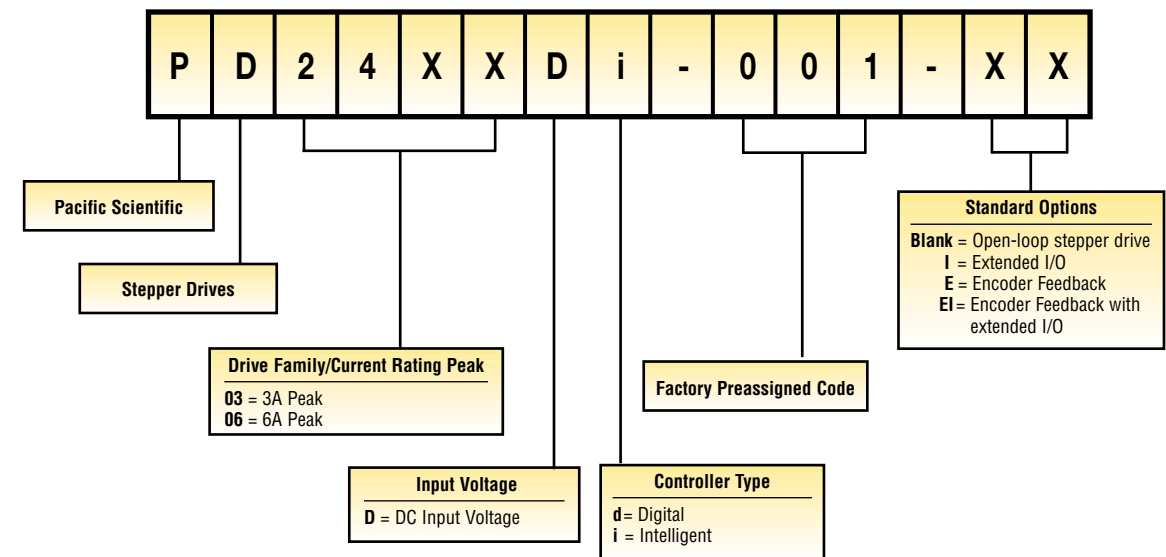
Monitor status of the drive parameters at any time.



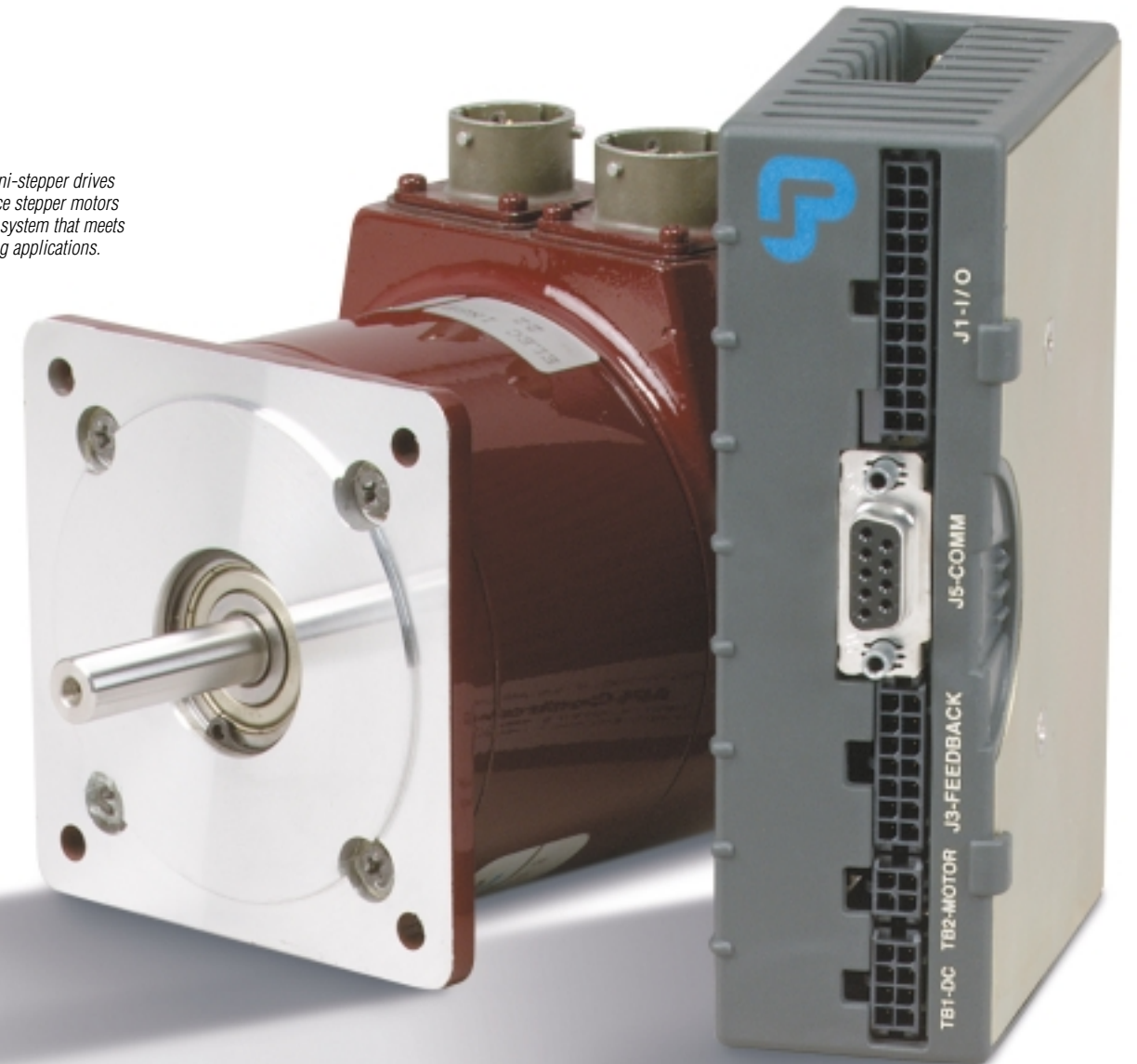
ToolPAC gives you status and full control of I/O points for programming and trouble shooting.

MODEL NUMBER CODES

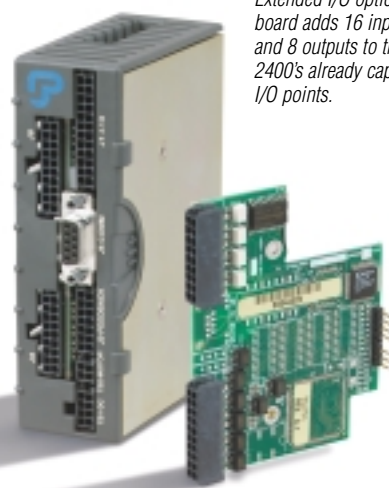
To construct a motor model number code, select the combination of features required and put all the coded information in the proper sequence. Please account for an entry in each field. The model number shown is an example of a properly specified motor.



The new PD2400 mini-stepper drives and high-performance stepper motors combine for a smart system that meets your most demanding applications.



Shown actual size



Extended I/O option board adds 16 inputs and 8 outputs to the 2400's already capable I/O points.

PD2400 SERIES STEPPER DRIVES

Need high power and performance in a small stepper drive? Pacific Scientific's PD2400 series mini-stepper is more than capable of providing all the power and performance your application requires. With a 40 kHz Pulse Wave Modulation Frequency, our new, ultra small stepper-drives are the quietest mini-stepper drives available.

But quiet operation does not mean the 2400 series mini-stepper drives won't work hard for you. Measuring only 5 inches in height, they supply up to 6 amps of continuous current per phase for controlling both standard hybrid stepper and low-inertia disc magnet stepper motors. This combination of a small, rugged design and power make them a perfect fit for applications like specialty machinery and semiconductor manufacturing.

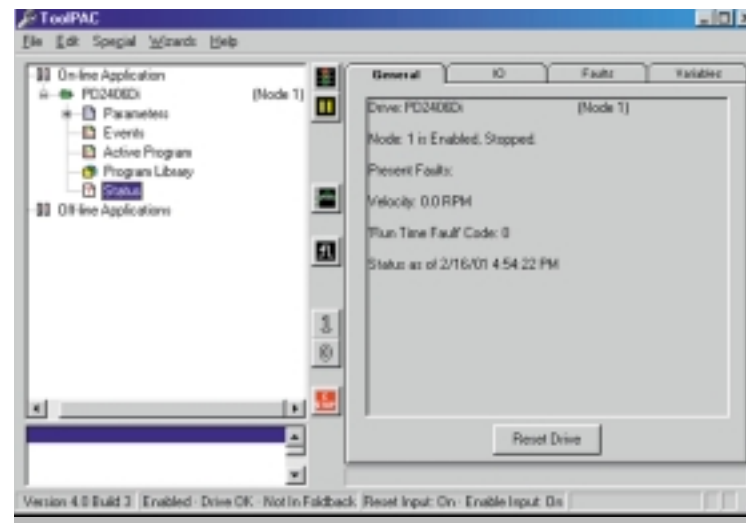
ToolPAC, Pacific Scientific's Windows®-based setup configuration and development utility, makes it easy to set up, program and solve problems in your application. ToolPAC works to set up our new generation of intelligent stepper drives, too — giving you maximum flexibility for your machine's motion.

The on-board, programmable and optically isolated I/O offers 8 inputs, three 5V dc high-speed inputs and three outputs for heightened functionality and high-speed electronic gearing. Global regulatory approvals assure acceptance of your machine — anywhere.

As is the case with all Pacific Scientific products, the PD2400 series of mini-stepper drives are designed to help you get the most out of your equipment. Factor in Pacific Scientific's unparalleled service and support and you'll find a system that's unbeatable.



ToolPAC's Setup Wizard makes drive configuration easy.



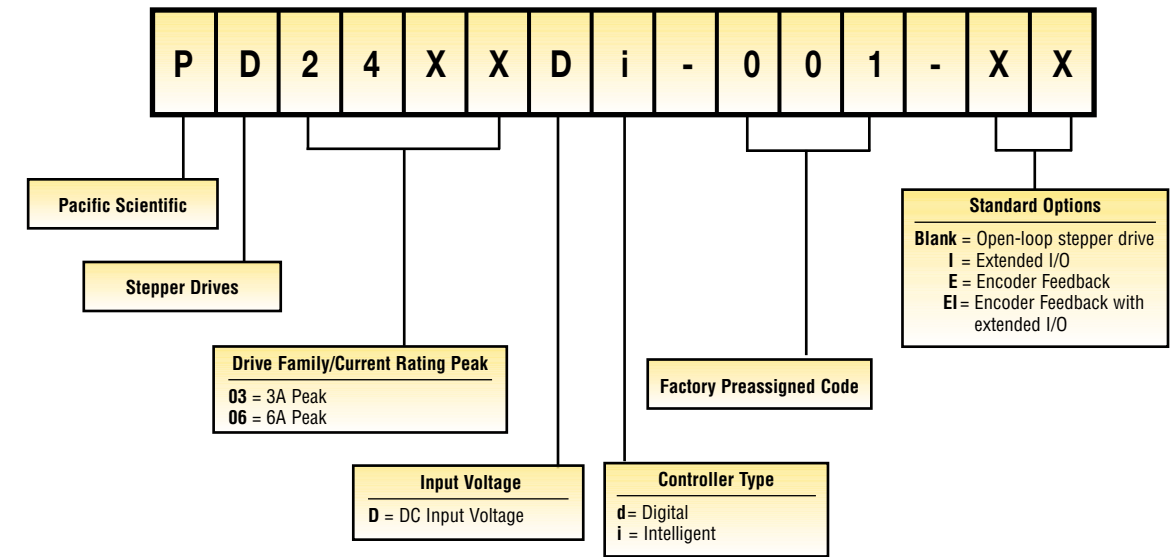
Monitor status of the drive parameters at any time.



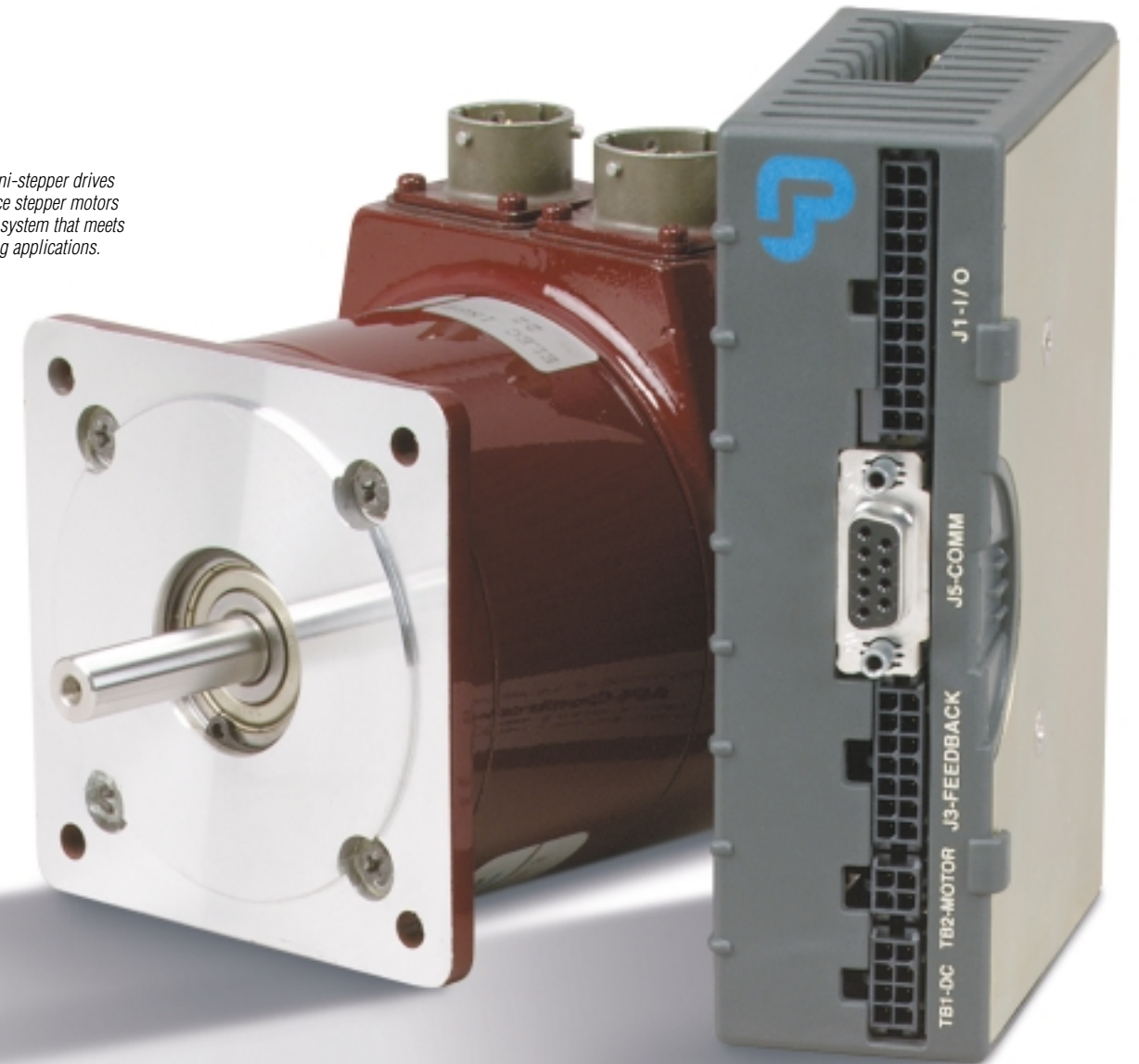
ToolPAC gives you status and full control of I/O points for programming and trouble shooting.

MODEL NUMBER CODES

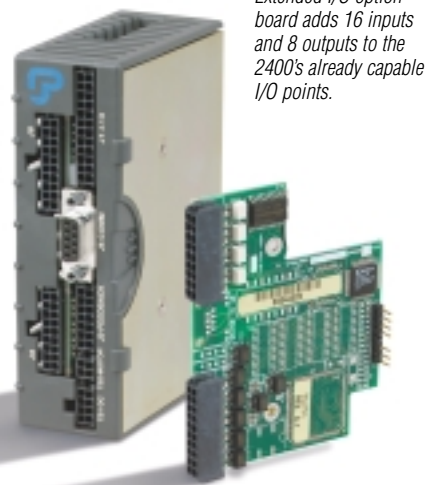
To construct a motor model number code, select the combination of features required and put all the coded information in the proper sequence. Please account for an entry in each field. The model number shown is an example of a properly specified motor.



The new PD2400 mini-stepper drives and high-performance stepper motors combine for a smart system that meets your most demanding applications.



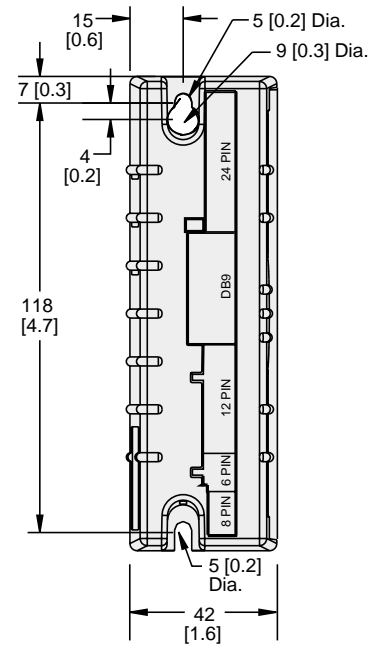
Shown actual size



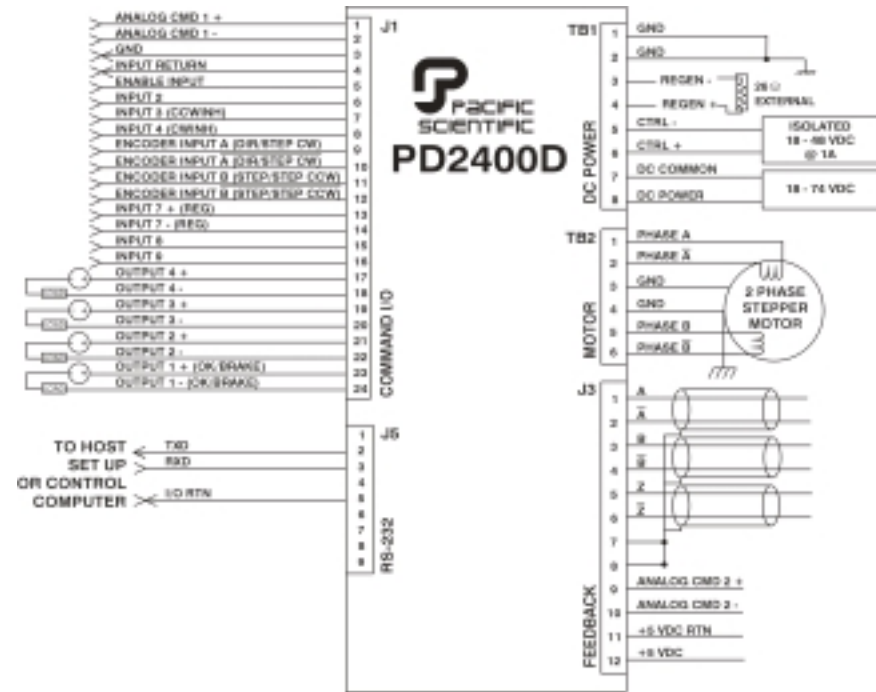
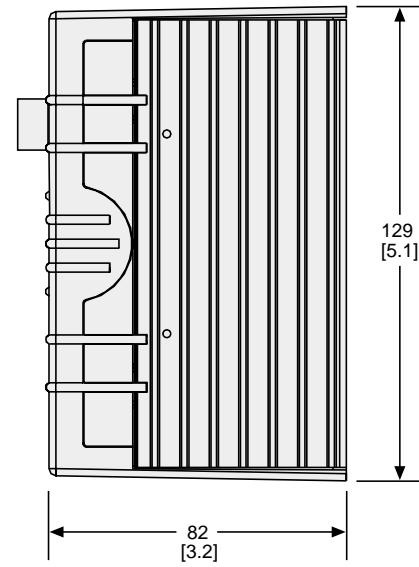
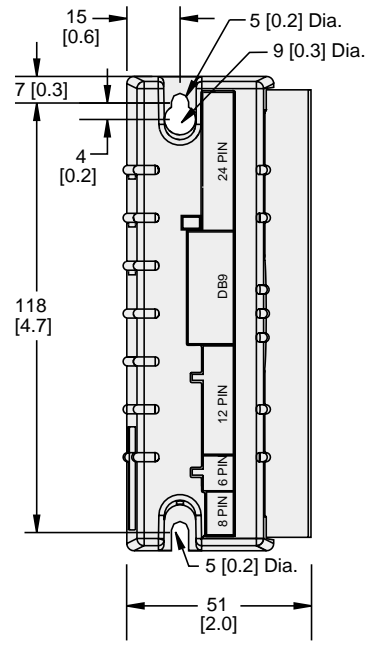
Extended I/O option board adds 16 inputs and 8 outputs to the 2400's already capable I/O points.

PD2400 SERIES STEPPER DRIVES dimensions **mm**
(in.)

PD2403D



PD2406D



Smart steppers.
Motion simplified.

**PD2400 SERIES
STEPPER DRIVES**



HIGH PERFORMANCE MOTORS & DRIVES

4301 Kishwaukee Street, P.O. Box 106
Rockford, Illinois 61105-0106
(815) 226-3100 Fax (815) 226-3080

Locations:
Rockford, IL Wilmington, MA
Juarez, Mexico

Artisan Technology Group - Quality Instrumentation ... Guaranteed | (888) 88-SOURCE | www.artisan-tg.com





Artisan Technology Group is your source for quality new and certified-used/pre-owned equipment

- FAST SHIPPING AND DELIVERY
- TENS OF THOUSANDS OF IN-STOCK ITEMS
- EQUIPMENT DEMOS
- HUNDREDS OF MANUFACTURERS SUPPORTED
- LEASING/MONTHLY RENTALS
- ITAR CERTIFIED SECURE ASSET SOLUTIONS

SERVICE CENTER REPAIRS

Experienced engineers and technicians on staff at our full-service, in-house repair center

*InstraView*SM REMOTE INSPECTION

Remotely inspect equipment before purchasing with our interactive website at www.instraview.com ↗

WE BUY USED EQUIPMENT

Sell your excess, underutilized, and idle used equipment. We also offer credit for buy-backs and trade-ins. www.artisanng.com/WeBuyEquipment ↗

LOOKING FOR MORE INFORMATION?

Visit us on the web at www.artisanng.com ↗ for more information on price quotations, drivers, technical specifications, manuals, and documentation

Contact us: (888) 88-SOURCE | sales@artisanng.com | www.artisanng.com