



Artisan Technology Group is your source for quality new and certified-used/pre-owned equipment

- FAST SHIPPING AND DELIVERY
- TENS OF THOUSANDS OF IN-STOCK ITEMS
- EQUIPMENT DEMOS
- HUNDREDS OF MANUFACTURERS SUPPORTED
- LEASING/MONTHLY RENTALS
- ITAR CERTIFIED SECURE ASSET SOLUTIONS

SERVICE CENTER REPAIRS

Experienced engineers and technicians on staff at our full-service, in-house repair center

*InstraView*SM REMOTE INSPECTION

Remotely inspect equipment before purchasing with our interactive website at www.instraview.com ↗

WE BUY USED EQUIPMENT

Sell your excess, underutilized, and idle used equipment. We also offer credit for buy-backs and trade-ins. www.artisanng.com/WeBuyEquipment ↗

LOOKING FOR MORE INFORMATION?

Visit us on the web at www.artisanng.com ↗ for more information on price quotations, drivers, technical specifications, manuals, and documentation

Contact us: (888) 88-SOURCE | sales@artisanng.com | www.artisanng.com

Parallel Digital I/O MIX Module



General Information

Using a full 32-bit parallel data word for both input and output, Model 4241 Digital I/O MIX Module serves as a slave device to transfer digital data from its front panel connectors to one or more subsystem processors via the MIX bus. Although often combined with other MIX modules, up to three digital I/O modules may be used in a subsystem for applications such as decimating filters or data reduction, where the output of one I/O feeds the input of another. The module nests on a MIX baseboard, so that together they occupy only a single card cage slot.

Simpler Multiprocessor Systems

The simple data transfer scheme employed by the module facilitates the implementation of multiprocessor systems. For example, in high speed FFT calculation, successive blocks of data can be passed to several Model 4284s without any impact on host bus bandwidth.

Selective Parallel 32-bit Data Inputs

The front panel input connection to the module accepts 32-bit parallel data and its associated 4-bit address. A dip switch allows the module to accept only data accompanied by a preset address or all data. Data may thus be targeted to specific processor boards in a multiprocessor system.

More than one digital I/O module input can be written to in parallel from any digital output device that provides a data-

valid strobe. Such output devices include the Pentek Model 4261 A/D Converter and other digital I/O modules. A FIFO buffers data between the input data register and the MIX interface.

Targeted Digital Output

Digital output operation is achieved by writing to a 32-bit output data latch, memory-mapped into the baseboard processor's memory space via the MIX interface. A 4-bit address latch targets the receiving device. Straightforward handshake protocol notifies the initiating processor when data has been accepted.

Specifications

Input and output data: 32 bits, TTL/+5 V CMOS, single-ended

Handshake: 2-wire handshake, NDAC and DAV

Input FIFO: 1k x 32 expandable to 16k x 32 bits with full, half-full and empty flags

Input and output data rate: 10 Msamples/sec

Input address comparator: 4 bits set with on-board DIP switches; compare can be disabled

Output: 32-bit data and 4-bit address latches

MIX interface: interrupt mask register, status/control register, input FIFO, output data latch and output address latch are all memory-mapped on MIX bus

Power: 0.7 A at +5 V, from the MIX bus

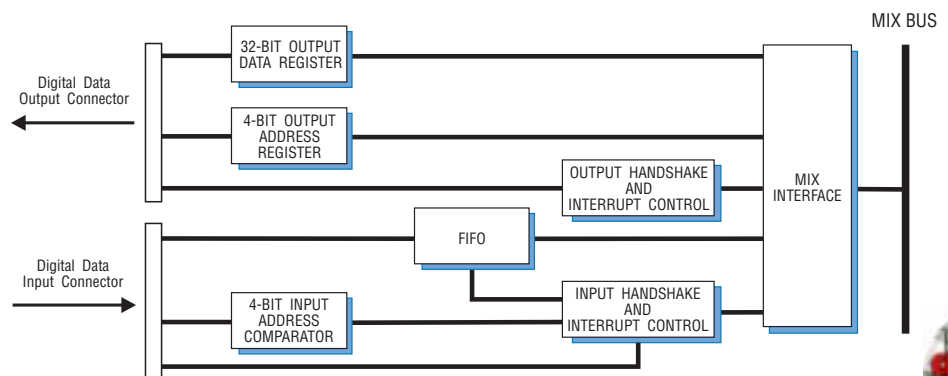
Features

- ❑ Parallel 32-bit data with 4-bit addresses
- ❑ Targets successive data blocks to specific processor boards for parallel FFT or multiband digital FIR filter calculation
- ❑ Can cascade two or three modules for decimating filtering or data reduction
- ❑ 10 Msample/s input and output data rates
- ❑ 1–16 ksampl FIFO buffers the 32-bit input data

Ordering Information

Model	Description
4241	Parallel I/O MIX module
Option:	
-001	8 ksampl FIFO
-002	16 ksampl FIFO

Block Diagram, Model 4241





Artisan Technology Group is your source for quality new and certified-used/pre-owned equipment

- FAST SHIPPING AND DELIVERY
- TENS OF THOUSANDS OF IN-STOCK ITEMS
- EQUIPMENT DEMOS
- HUNDREDS OF MANUFACTURERS SUPPORTED
- LEASING/MONTHLY RENTALS
- ITAR CERTIFIED SECURE ASSET SOLUTIONS

SERVICE CENTER REPAIRS

Experienced engineers and technicians on staff at our full-service, in-house repair center

*InstraView*SM REMOTE INSPECTION

Remotely inspect equipment before purchasing with our interactive website at www.instraview.com ↗

WE BUY USED EQUIPMENT

Sell your excess, underutilized, and idle used equipment. We also offer credit for buy-backs and trade-ins. www.artisanng.com/WeBuyEquipment ↗

LOOKING FOR MORE INFORMATION?

Visit us on the web at www.artisanng.com ↗ for more information on price quotations, drivers, technical specifications, manuals, and documentation

Contact us: (888) 88-SOURCE | sales@artisanng.com | www.artisanng.com