



Artisan Technology Group is your source for quality new and certified-used/pre-owned equipment

- FAST SHIPPING AND DELIVERY
- TENS OF THOUSANDS OF IN-STOCK ITEMS
- EQUIPMENT DEMOS
- HUNDREDS OF MANUFACTURERS SUPPORTED
- LEASING/MONTHLY RENTALS
- ITAR CERTIFIED SECURE ASSET SOLUTIONS

SERVICE CENTER REPAIRS

Experienced engineers and technicians on staff at our full-service, in-house repair center

*InstraView*SM REMOTE INSPECTION

Remotely inspect equipment before purchasing with our interactive website at www.instraview.com ↗

WE BUY USED EQUIPMENT

Sell your excess, underutilized, and idle used equipment. We also offer credit for buy-backs and trade-ins. www.artisanng.com/WeBuyEquipment ↗

LOOKING FOR MORE INFORMATION?

Visit us on the web at www.artisanng.com ↗ for more information on price quotations, drivers, technical specifications, manuals, and documentation

Contact us: (888) 88-SOURCE | sales@artisanng.com | www.artisanng.com



General Information

The Model 4265 is a 16-channel A/D and D/A converter for digital audio applications. Sampled input and output data are tailored to directly interface with the communications ports of the Texas Instruments TMS320C40 DSP. Front panel comm ports connect directly to all of Pentek's C40 DSP products.

A/D and D/A Groups

The Model 4265 contains four identical four-channel groups of 16-bit A/D conversion and 16-bit D/A conversion. Two C40 comm port interfaces are included in each group.

Programmable gain amplifiers at the A/D inputs and programmable attenuators at the D/A outputs may be set individually for each channel.

Sigma-Delta Converters

The 16-bit sigma-delta A/D's provide inherent anti-aliasing digital filtering with sharp cutoff characteristics and linear phase response. The sigma-delta D/A's provide oversampled output smoothing filters with linear phase response.

The cutoff frequency of the sigma-delta A/D and D/A converters tracks the sampling rate at a fixed ratio of 45%, ideal for most applications.

Sampling Rate Section

The sampling rate for each group is determined by a local programmable divider driven from two socketed DIP crystal oscillators, an external TTL clock, or an optional programmable frequency synthesizer.

Specifications

Input: single-ended, ± 2.8 V full scale, 100 kohm impedance, ± 0.5 dB frequency response

Input gain: programmable from 0.0 dB to +22.5 dB in 1.5 dB steps

Output: ± 2.8 V full scale, 600 ohm impedance, ± 0.5 dB frequency response

Output attenuation: programmable from 0.0 to 94.5 dB in 1.5 dB steps

Input and output filters: digital, track at 45% of sampling rate; -74 dB stopband at $\geq 55\%$ of sampling rate; ± 0.1 dB ripple, 0 μ s group delay variance

A/D and D/A conversion: 16 bits, 80 dB dynamic range; ± 0.9 LSB differential non-linearity; 74 dB SINAD

Compression/decompression: programmable 16-bit linear, or 8-bit A-law or μ -law coding

Sampling rates: 4.0 kHz to 50.0 kHz

Frequency Synthesizer: the optional synthesizer offers the following resolution:

Range	Resolution
24-50 kHz	200 Hz
12-24 kHz	100 Hz
6-12 kHz	50 Hz
4-6 kHz	25 Hz

Control interface: via memory-mapped registers over the VMEbus, or using commands from the input comm port

Power: 4.0 A at +5 V; 0.15 A at +12 V, 0.2 A at -12 V

Size: standard 6U VMEbus board, single slot; board 160 mm (6.3 in.) x 233.5 mm (9.2 in.), panel 0.8 in. wide

Features

- Sigma-delta data converters
- Sixteen A/D and sixteen D/A channels
- Integral anti-aliasing filters
- Eight C40 comm ports
- Compatible with Pentek C40 DSP products
- Single-slot 6U VME board

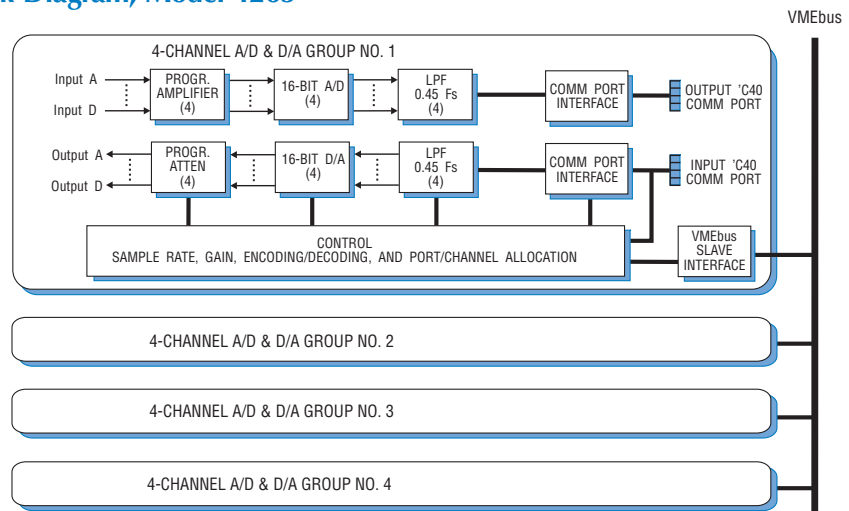
Ordering Information

Model	Description
4265	16-Channel 16-bit A/D and D/A, eight comm ports

Options:

- 001 8-Channel 16-bit A/D and D/A, four comm ports
- 002 Programmable sampling rate frequency synthesizer

Block Diagram, Model 4265





Artisan Technology Group is your source for quality new and certified-used/pre-owned equipment

- FAST SHIPPING AND DELIVERY
- TENS OF THOUSANDS OF IN-STOCK ITEMS
- EQUIPMENT DEMOS
- HUNDREDS OF MANUFACTURERS SUPPORTED
- LEASING/MONTHLY RENTALS
- ITAR CERTIFIED SECURE ASSET SOLUTIONS

SERVICE CENTER REPAIRS

Experienced engineers and technicians on staff at our full-service, in-house repair center

*InstraView*SM REMOTE INSPECTION

Remotely inspect equipment before purchasing with our interactive website at www.instraview.com ↗

WE BUY USED EQUIPMENT

Sell your excess, underutilized, and idle used equipment. We also offer credit for buy-backs and trade-ins. www.artisanng.com/WeBuyEquipment ↗

LOOKING FOR MORE INFORMATION?

Visit us on the web at www.artisanng.com ↗ for more information on price quotations, drivers, technical specifications, manuals, and documentation

Contact us: (888) 88-SOURCE | sales@artisanng.com | www.artisanng.com