



Artisan Technology Group is your source for quality new and certified-used/pre-owned equipment

- FAST SHIPPING AND DELIVERY
- TENS OF THOUSANDS OF IN-STOCK ITEMS
- EQUIPMENT DEMOS
- HUNDREDS OF MANUFACTURERS SUPPORTED
- LEASING/MONTHLY RENTALS
- ITAR CERTIFIED SECURE ASSET SOLUTIONS

SERVICE CENTER REPAIRS

Experienced engineers and technicians on staff at our full-service, in-house repair center

*InstraView*SM REMOTE INSPECTION

Remotely inspect equipment before purchasing with our interactive website at www.instraview.com ↗

WE BUY USED EQUIPMENT

Sell your excess, underutilized, and idle used equipment. We also offer credit for buy-backs and trade-ins. www.artisanng.com/WeBuyEquipment ↗

LOOKING FOR MORE INFORMATION?

Visit us on the web at www.artisanng.com ↗ for more information on price quotations, drivers, technical specifications, manuals, and documentation

Contact us: (888) 88-SOURCE | sales@artisanng.com | www.artisanng.com

Specifications:

TE176TSRF and TE176TSRF 001

Photocathode temperature stability	$\pm 0.1^{\circ}\text{C}$ over entire range
Temperature controller set ability	$\pm 0.1^{\circ}\text{C}$ from ambient to -100°C
LN ₂ consumption rate	Approximately 0.75 l/hr at -100°C operation
Standard window material	Evacuated Double Pane Plexiglas 80% transmission from 366 nm to 1125 nm
Mounting	Front and bottom mounting holes are provided
Front Mounting via 6 inch (15.2 cm) Standard Front Mounting Adapter Compatible with Model PR302 Light Shutter Assembly	
Weight	Chamber - 12 lbs. (5.5 kg) Power supply - 6 lbs. (2.7 kg)
Power required	15 Watts at either 115 V~, 50/60 Hz or 220 V~, 50/60 Hz

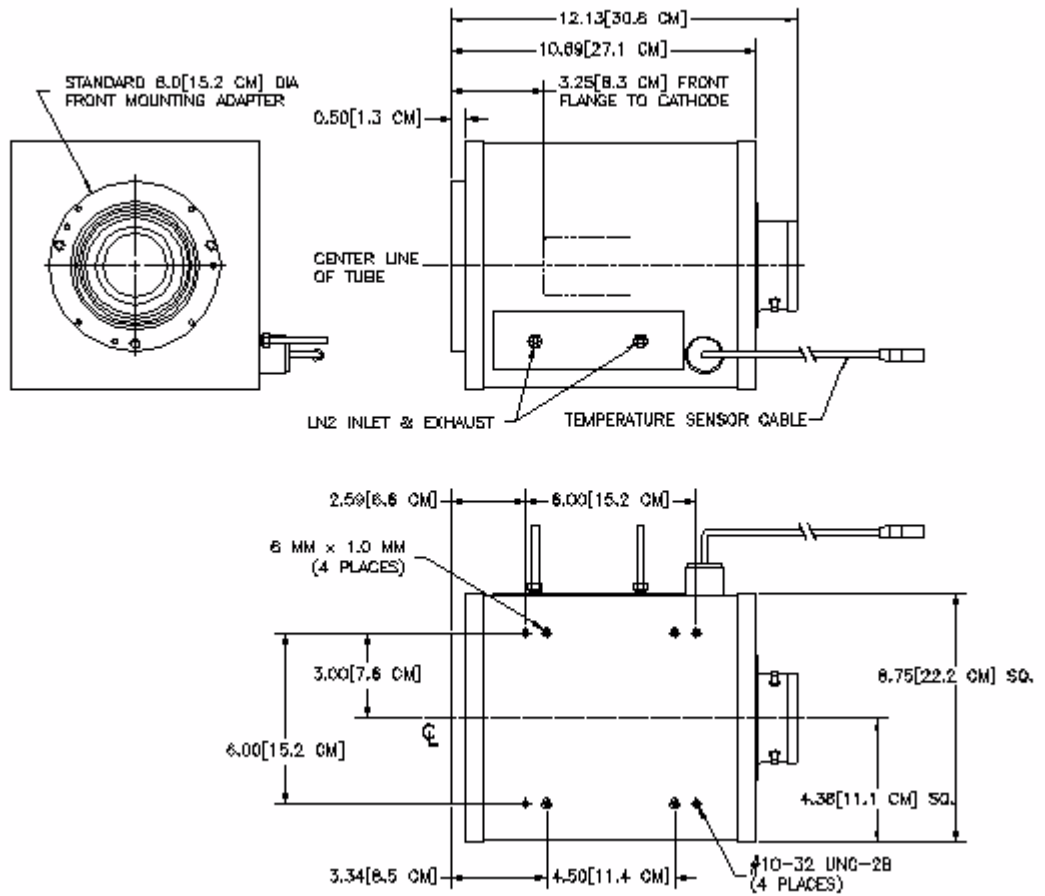
Special notes:

Model **TE176TSRF** includes valving for non-self pressurizing dewars.

Specify **TE176TSRF 001** if valving for self pressurizing dewars is required.

TE176TSRF and **TE176TSRF 001** can be used with the PR411 Defocusing Magnet when the PMT is appropriate.

Outline Drawing of TE176TSRF and TE176TSRF 001





Artisan Technology Group is your source for quality new and certified-used/pre-owned equipment

- FAST SHIPPING AND DELIVERY
- TENS OF THOUSANDS OF IN-STOCK ITEMS
- EQUIPMENT DEMOS
- HUNDREDS OF MANUFACTURERS SUPPORTED
- LEASING/MONTHLY RENTALS
- ITAR CERTIFIED SECURE ASSET SOLUTIONS

SERVICE CENTER REPAIRS

Experienced engineers and technicians on staff at our full-service, in-house repair center

*InstraView*SM REMOTE INSPECTION

Remotely inspect equipment before purchasing with our interactive website at www.instraview.com ↗

WE BUY USED EQUIPMENT

Sell your excess, underutilized, and idle used equipment. We also offer credit for buy-backs and trade-ins. www.artisanng.com/WeBuyEquipment ↗

LOOKING FOR MORE INFORMATION?

Visit us on the web at www.artisanng.com ↗ for more information on price quotations, drivers, technical specifications, manuals, and documentation

Contact us: (888) 88-SOURCE | sales@artisanng.com | www.artisanng.com