



Artisan Technology Group is your source for quality new and certified-used/pre-owned equipment

- FAST SHIPPING AND DELIVERY
- TENS OF THOUSANDS OF IN-STOCK ITEMS
- EQUIPMENT DEMOS
- HUNDREDS OF MANUFACTURERS SUPPORTED
- LEASING/MONTHLY RENTALS
- ITAR CERTIFIED SECURE ASSET SOLUTIONS

SERVICE CENTER REPAIRS

Experienced engineers and technicians on staff at our full-service, in-house repair center

*InstraView*SM REMOTE INSPECTION

Remotely inspect equipment before purchasing with our interactive website at www.instraview.com ↗

WE BUY USED EQUIPMENT

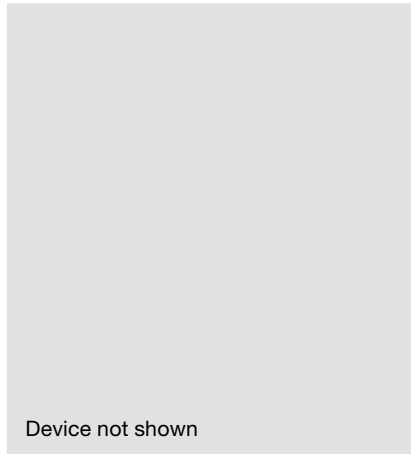
Sell your excess, underutilized, and idle used equipment. We also offer credit for buy-backs and trade-ins. www.artisanng.com/WeBuyEquipment ↗

LOOKING FOR MORE INFORMATION?

Visit us on the web at www.artisanng.com ↗ for more information on price quotations, drivers, technical specifications, manuals, and documentation

Contact us: (888) 88-SOURCE | sales@artisanng.com | www.artisanng.com

Speed/standstill PDZK



Speed and standstill monitor in accordance with VDE 0113-1, EN 60204-1 and EN 1088

Features

- Combined standstill and speed monitor
- Separate relay outputs for standstill and speed monitoring
- Suitable for frequency converter operation
- Programmable response speed
- Programmable speed reduction
- Detection via pulse generator

Approvals

	PDZK
	●

Technical details	PDZK
Electrical data	
Supply voltage	24 V DC
Tolerance	85 ... 110 %
Residual ripple DC	20 %
Power consumption	max. 10 W
Utilisation category in accordance with EN 60947-4-1	AC1: 240 V/5 A/1200 VA DC1: 24 V/5 A/120 W
Output contacts for speed monitoring	3 safety contacts (N/O) + 1 auxiliary contact (N/C)
for standstill monitoring	1 safety contact (N/O) + 1 auxiliary contact (N/C)
Contact fuse protection to EN 60947-5-1	6 A quick or slow 4 A slow
Response values	See tables
Temperature dependency of switching point	0.02 % per °C
Repetition accuracy	±0.1 %
Mechanical data	
Connector	42-pin, Harting HAN 42 DD
Housing material	Aluminium
Protection type	IP65 (when inserted)
Dimensions (H x W x D)	230 x 115 x 115 mm
Weight	1600 g

The standard versions current on 05/03 shall apply.

Description

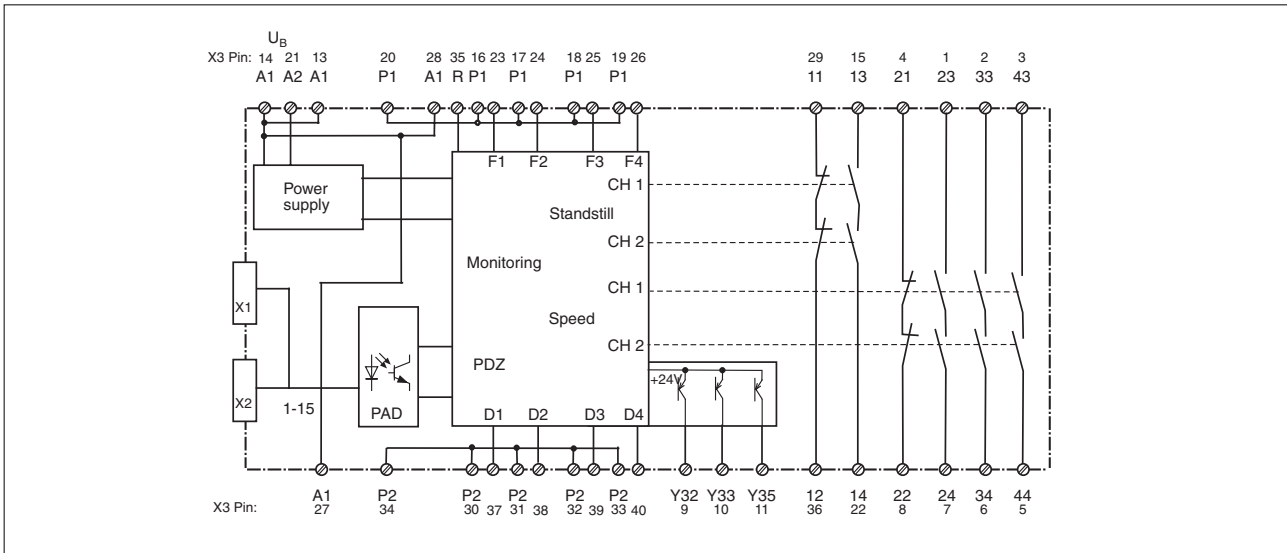
- Aluminium housing, secured by screws
- Positive-guided relay outputs:
 - 3 safety contacts (N/O) and 1 auxiliary contact (N/C) for speed monitoring
 - 1 safety contact (N/O) and 1 auxiliary contact (N/C) for standstill monitoring
- 2-channel speed and standstill monitoring
- R-input for variable set-up speed
- Pulse generator connected via a 15-pin D-Sub connector
- 3 semiconductor outputs for status display

Function description

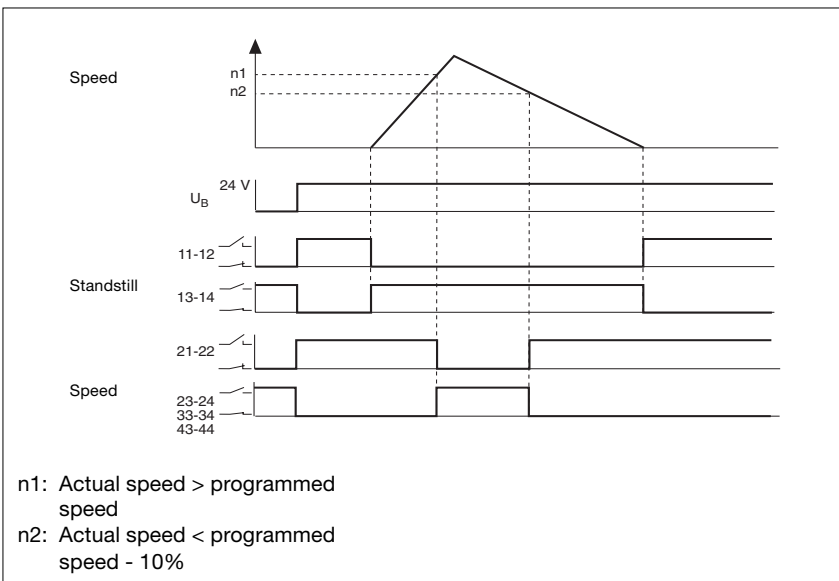
The PDZK enables speed and standstill to be monitored safely. Standstill detection and speed monitoring operate independently. Movement is detected by means of pulse generators. The response value is defined via programming inputs. The speed is determined from the frequency. The frequency depends on the number of pulses per rotation.

Speed/standstill PDZK

Internal wiring diagram

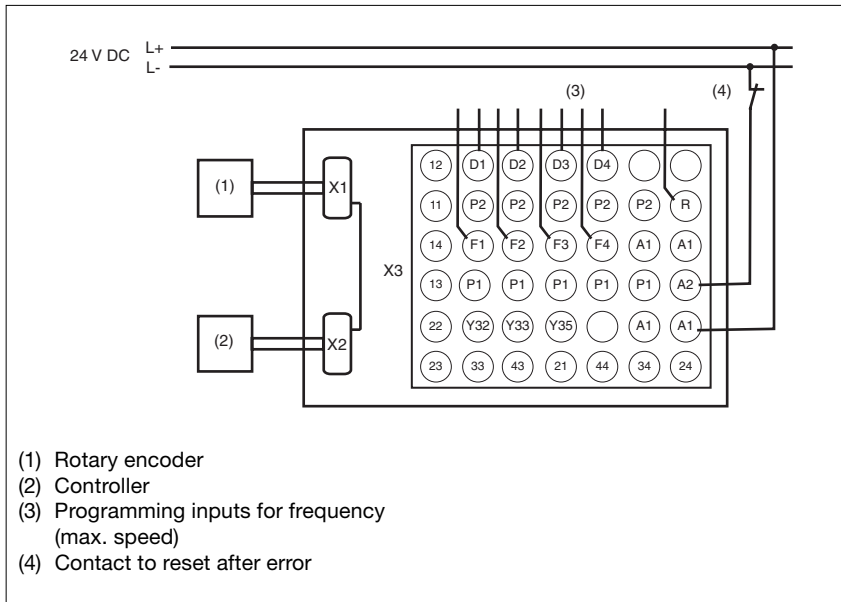


Timing diagram



Speed/standstill PDZK

Connection example



Speed/standstill PDZK

Programming the response values for automatic and set-up mode

Programming inputs				Automatic mode (max. speed) F1 ... F4 = 24 VDC	Set-up mode F1 ... F4 = 0 V	
D1	D2	D3	D4	Frequency in Hz R = 24 VDC	Frequency in Hz R = 0 V	Frequency in Hz
0 V	0 V	0 V	0 V	100	2	5
24 V	0 V	0 V	0 V	112	2.2	5
0 V	24 V	0 V	0 V	140	2.4	5
24 V	24 V	0 V	0 V	180	2.8	5
0 V	0 V	24 V	0 V	200	3.0	5
24 V	0 V	24 V	0 V	224	3.2	5
0 V	24 V	24 V	0 V	275	3.6	5
24 V	24 V	24 V	0 V	315	4.2	5
0 V	0 V	0 V	24 V	355	4.7	5
24 V	0 V	0 V	24 V	400	5.3	5
0 V	24 V	0 V	24 V	450	6.0	5
24 V	24 V	0 V	24 V	500	6.6	5
0 V	0 V	24 V	24 V	550	7.3	5
24 V	0 V	24 V	24 V	630	8.4	5
0 V	24 V	24 V	24 V	700	9.3	5
24 V	24 V	24 V	24 V	800	10	5

Programming inputs				Reduction of max. speed in accordance with D1 ... D4	Set-up mode F1 ... F4 = 0 V	
F1	F2	F3	F4	%	Frequency in Hz R = 24 V DC, D1 ... D4 = 0 V	Frequency in Hz R = 0 V
0 V	0 V	0 V	0 V		*	5
24 V	0 V	0 V	0 V	25	1.2*	5
0 V	24 V	0 V	0 V	30	1.3*	5
24 V	24 V	0 V	0 V	35	1.3*	5
0 V	0 V	24 V	0 V	40	1.4*	5
24 V	0 V	24 V	0 V	45	1.4*	5
0 V	24 V	24 V	0 V	50	1.5*	5
24 V	24 V	24 V	0 V	55	1.5*	5
0 V	0 V	0 V	24 V	60	1.6*	5
24 V	0 V	0 V	24 V	65	1.6*	5
0 V	24 V	0 V	24 V	70	1.7*	5
24 V	24 V	0 V	24 V	75	1.7*	5
0 V	0 V	24 V	24 V	80	1.8*	5
24 V	0 V	24 V	24 V	85	1.8*	5
0 V	24 V	24 V	24 V	90	1.9*	5
24 V	24 V	24 V	24 V	100	2*	5

* Final status of F-inputs is stored.

Speed/standstill PDZK

General details

Unless stated otherwise in the technical details for the specific unit.

Electrical data

Frequency range AC	50 ... 60 Hz
Residual ripple DC	160 %
Contact material	AgSnO ₂
Continuous duty	100 %

Environmental data

EMC	EN 60947-5-1
Vibration in accordance with EN 60068-2-6	Frequency: 10 ... 55 Hz, Amplitude: 0,35 mm
Airgap creepage	DIN VDE 0110-1
Ambient temperature	-10 ... +55 °C
Storage temperature	-40 ... +85 °C

Mechanical data

Torque setting for connection terminals	0.6 Nm (screws)
Mounting position	Any
Housing material	PPO UL 94 V0
Protection types	Mounting: IP54 Housing: IP40 Terminals: IP20

Units have been tested in accordance with the standards valid at the time of development.

Order reference

Type	U _B	Order no.
PDZK	24 VDC	774 420



Artisan Technology Group is your source for quality new and certified-used/pre-owned equipment

- FAST SHIPPING AND DELIVERY
- TENS OF THOUSANDS OF IN-STOCK ITEMS
- EQUIPMENT DEMOS
- HUNDREDS OF MANUFACTURERS SUPPORTED
- LEASING/MONTHLY RENTALS
- ITAR CERTIFIED SECURE ASSET SOLUTIONS

SERVICE CENTER REPAIRS

Experienced engineers and technicians on staff at our full-service, in-house repair center

*InstraView*SM REMOTE INSPECTION

Remotely inspect equipment before purchasing with our interactive website at www.instraview.com ↗

WE BUY USED EQUIPMENT

Sell your excess, underutilized, and idle used equipment. We also offer credit for buy-backs and trade-ins. www.artisanng.com/WeBuyEquipment ↗

LOOKING FOR MORE INFORMATION?

Visit us on the web at www.artisanng.com ↗ for more information on price quotations, drivers, technical specifications, manuals, and documentation

Contact us: (888) 88-SOURCE | sales@artisanng.com | www.artisanng.com