



Artisan Technology Group is your source for quality new and certified-used/pre-owned equipment

- FAST SHIPPING AND DELIVERY
- TENS OF THOUSANDS OF IN-STOCK ITEMS
- EQUIPMENT DEMOS
- HUNDREDS OF MANUFACTURERS SUPPORTED
- LEASING/MONTHLY RENTALS
- ITAR CERTIFIED SECURE ASSET SOLUTIONS

SERVICE CENTER REPAIRS

Experienced engineers and technicians on staff at our full-service, in-house repair center

*InstraView*SM REMOTE INSPECTION

Remotely inspect equipment before purchasing with our interactive website at www.instraview.com ↗

WE BUY USED EQUIPMENT

Sell your excess, underutilized, and idle used equipment. We also offer credit for buy-backs and trade-ins. www.artisanng.com/WeBuyEquipment ↗

LOOKING FOR MORE INFORMATION?

Visit us on the web at www.artisanng.com ↗ for more information on price quotations, drivers, technical specifications, manuals, and documentation

Contact us: (888) 88-SOURCE | sales@artisanng.com | www.artisanng.com

Category 4, EN 954-1 PNOZ XV2



Emergency stop relay and safety gate monitor in accordance with VDE 0113 part 1, 11/98, EN 60204-1, 12/97 and IEC 204-1, 11/98.

Features

- Input wiring compatible with the PNOZ X3
- Dual-channel wiring with detection of shorts across the input contacts
- Monitored manual or automatic reset can be selected
- 2 delay-off safety contacts
- Supply voltage: 24 VDC

Approvals

	PNOZ XV2
	●
	●
	●

Technical Details	PNOZ XV2
Electrical Data	
Supply Voltage	24 VDC
Tolerance	85 ... 110 %
Power Consumption U_B	Approx. 4.5 W
Voltage and Current at the Input and Reset Circuits and Feedback Control Loop	24 VDC, 50 mA
Switching Capability in accordance with EN 60947-4-1, 10/91	AC1: 240 V/8 A/2000 VA DC1: 24 V/8 A/200 W
EN 60947-5-1, 10/91 (DC13: 6 cycles/min.)	AC15: 230 V/5 A; DC13: 24 V/7 A
Output Contacts	2 delayed safety contacts (N/O) 2 instantaneous safety contacts (N/O)
Contact Fuse Protection (EN 60947-5-1, 10/91)	10 A quick or 6 A slow
Times	
Delay-on-De-Energisation 37-38, 47-48	Adjustable: 0,1-3 s: 0.1/0.2/0.3/0.4/0.5/0.6/0.7/0.8/1/1.5/2/3 s 0-30 s: 0/0.5/1/2/4/6/8/10/15/20/25/30 s 0-300: 0/5/10/20/40/60/80/100/150/200/250/300 s Fixed: 0.5 s, 3 s, 10 s
Switch-on delay	Monitored Reset: Max. 100 ms Automatic or manual Reset: Max. 0.5 s
Delay-on De-energisation	Max. 50 ms
Recovery Time	Approx. 1 s
Simultaneity channel1/2	∞
Max. Supply Interruption before De-energisation	Approx. 25 ms
Mechanical Data	
Max. Cross Section of External Conductors	1 x 2.5 mm ² Single-core or multi-core with crimp connectors
Dimensions (H x W x D)	87 x 45 x 121 mm
Weight	370 g

Description

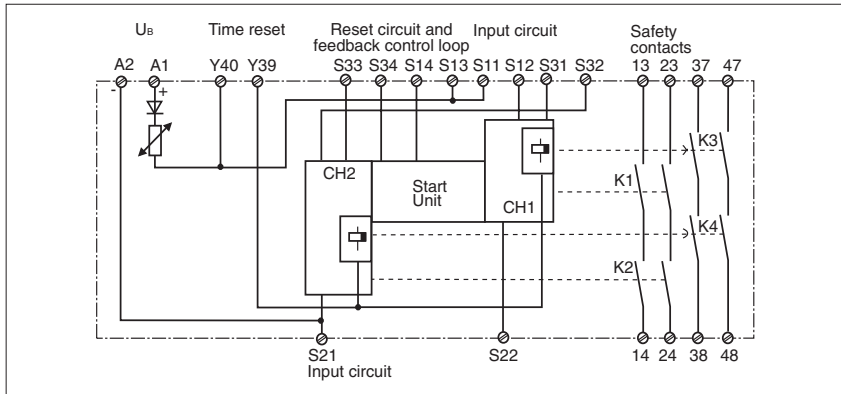
- 45 mm P-97 housing, DIN Rail mounting
- Positive-guided relay outputs:
 - 2 instantaneous safety contacts (N/O)
 - 2 delayed safety contacts (N/O)
- Connections for
 - E-STOP button
 - safety gate limit switch
 - reset button
- LEDs for power, channel 1, channel 2, reset circuit
- Increase in the number of safety contacts available by connecting expander modules.

Operating Modes

- Single-channel operation
- Dual-channel operation
- Automatic reset
- Monitored manual reset

Category 4, EN 954-1 PNOZ XV2

Internal Wiring Diagram



- Key

S1/2: E-STOP or safety gate switch

S3: Reset button

Switch operated

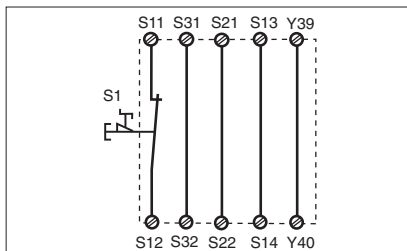
Gate open

Gate closed

External Wiring

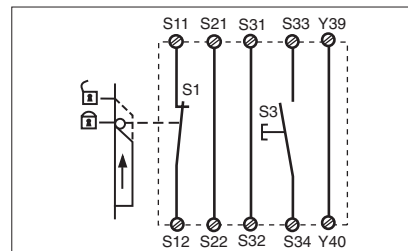
● Example 1

Single-channel E-STOP wiring with automatic reset.



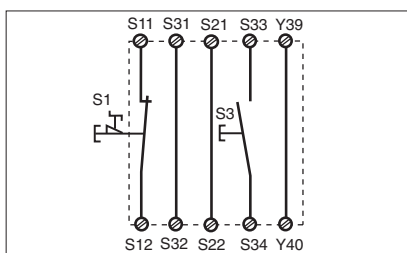
● Example 4

Single-channel safety gate control with monitored manual reset.



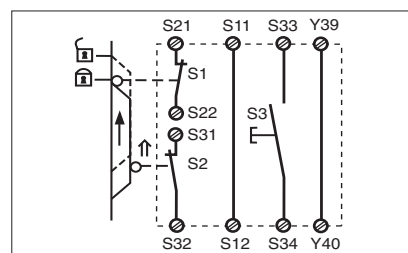
● Example 2

Single-channel E-STOP wiring with monitored manual reset.



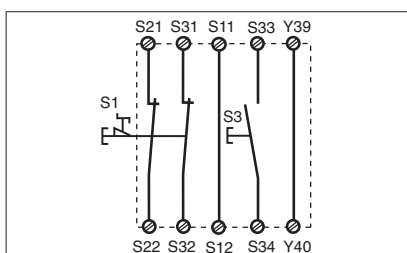
● Example 5

Dual-channel safety gate control with monitored manual reset.



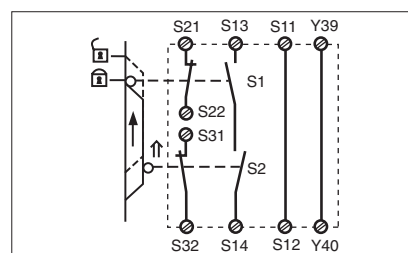
● Example 3

Dual-channel E-STOP wiring with monitored manual reset.



● Example 6

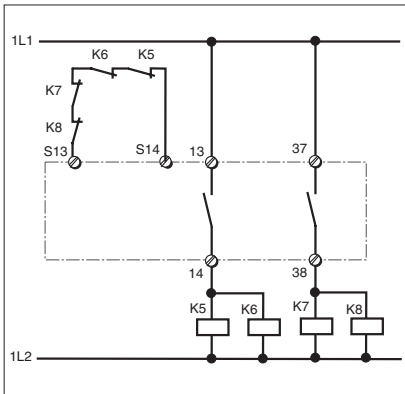
Dual-channel safety gate control with automatic reset.



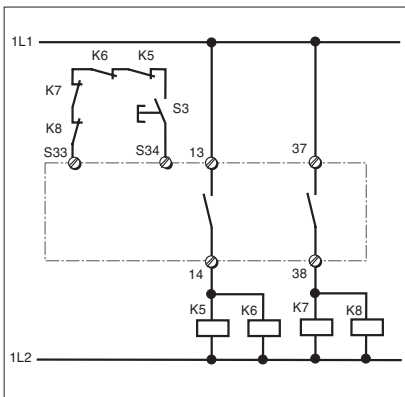
Category 4, EN 954-1 PNOZ XV2

- Increase in safety contacts
The number of output contacts can be increased by using expander modules or relays/contactors with positive-guided contacts.

- Operation with automatic reset.



- Operation with monitored manual reset.



Category 4, EN 954-1 PNOZ XV2

General Technical Data

Unless stated otherwise in the technical details for the specific unit

Electrical Data

Frequency Range AC	50 ... 60 Hz
Residual Ripple DC	160 %
Contact Material	AgSnO ₂
Continuous Duty	100 %

Environmental Data

EMC	EN 50081-1, 01/92, EN 50082-2, 03/95
Vibration in accordance with EN 60068-2-6, 04/95	Frequency: 10 ... 55 Hz, Amplitude: 0.35 mm
Climatic Suitability	DIN IEC 60068-2-3, 12/86
Airgap Creepage	DIN VDE 0110 part 1, 04/97
Ambient Temperature	-10 ... +55 °C
Storage Temperature	-40 ... +85 °C

Mechanical Data

Torque Setting on Connection Terminals	0.6 Nm (screws)
Mounting Position	Any
Housing Material	Thermoplast Noryl SE 100
Protection	Mounting: IP 54 Housing: IP 40 Terminal Range: IP 20

The units were tested in accordance with the relevant standards current at the time of development.

Order References

Type	t	U _B	Order No.
PNOZ XV2	0,5 s fest	24 V DC	774 504
PNOZ XV2	10 s fest	24 V DC	774 506
PNOZ XV2	3 s	24 V DC	774 502
PNOZ XV2	3 s fest	24 V DC	774 505
PNOZ XV2	30 s	24 V DC	774 500



Artisan Technology Group is your source for quality new and certified-used/pre-owned equipment

- FAST SHIPPING AND DELIVERY
- TENS OF THOUSANDS OF IN-STOCK ITEMS
- EQUIPMENT DEMOS
- HUNDREDS OF MANUFACTURERS SUPPORTED
- LEASING/MONTHLY RENTALS
- ITAR CERTIFIED SECURE ASSET SOLUTIONS

SERVICE CENTER REPAIRS

Experienced engineers and technicians on staff at our full-service, in-house repair center

*InstraView*SM REMOTE INSPECTION

Remotely inspect equipment before purchasing with our interactive website at www.instraview.com ↗

WE BUY USED EQUIPMENT

Sell your excess, underutilized, and idle used equipment. We also offer credit for buy-backs and trade-ins. www.artisanng.com/WeBuyEquipment ↗

LOOKING FOR MORE INFORMATION?

Visit us on the web at www.artisanng.com ↗ for more information on price quotations, drivers, technical specifications, manuals, and documentation

Contact us: (888) 88-SOURCE | sales@artisanng.com | www.artisanng.com