



Artisan Technology Group is your source for quality new and certified-used/pre-owned equipment

- FAST SHIPPING AND DELIVERY
- TENS OF THOUSANDS OF IN-STOCK ITEMS
- EQUIPMENT DEMOS
- HUNDREDS OF MANUFACTURERS SUPPORTED
- LEASING/MONTHLY RENTALS
- ITAR CERTIFIED SECURE ASSET SOLUTIONS

SERVICE CENTER REPAIRS

Experienced engineers and technicians on staff at our full-service, in-house repair center

*InstraView*SM REMOTE INSPECTION

Remotely inspect equipment before purchasing with our interactive website at www.instraview.com ↗

WE BUY USED EQUIPMENT

Sell your excess, underutilized, and idle used equipment. We also offer credit for buy-backs and trade-ins. www.artisanng.com/WeBuyEquipment ↗

LOOKING FOR MORE INFORMATION?

Visit us on the web at www.artisanng.com ↗ for more information on price quotations, drivers, technical specifications, manuals, and documentation

Contact us: (888) 88-SOURCE | sales@artisanng.com | www.artisanng.com

Parallel and Serial Interface

PX 30



Compact text display with parallel and serial interface for connection to an PLC.

Features

- Vacuum fluorescent display with automatic dimmer
- 2 lines of 20 characters
- 1 additional output

Technical Details	PX 30
Display	
Display type	Vacuum fluorescent display
Number of lines	2
Number of characters per line	20
Height of character	5 mm
Dot matrix	5 x 7 dots
Character sets	IBM character set: (code page 437) Alphanumeric characters including European special characters plus the Cyrillic (Russian) character set
Message texts	max. 9999, typically 1250 (memory-dependent)
Representation of variables	8 variables per message, max 10 digits
Hard copies	Yes
Brightness setting	Automatic dimmer (can be switched on)
Text memory	Flash-EPROM, 64 KByte
Printers	
Printers supported	H PP 100, IP 144-40 G
Interfaces	
Start-up interface	Parallel interface: 16 inputs complying with VDI 2880 Sheet 2, 24 V DC, typically 1.9 mA, no DC decoupling (screwed plug and socket connection) 1 handshake output complying with VDI 2880, sheet 2, 24 V DC, 30 mA, short-circuit resistant, overload-resistant (screwed plug and socket connection); serial interface: RS 232, 9 pin D-sub male connector
Programming interface	Serial interface: RS 232, 9 pin D-sub male connector
Printer interface	Serial interface: RS 232, 9 pin D-sub male connector
Electrical data	
Supply voltage	24 V DC
Tolerance	18 ... 32 VDC including residual ripple
Power consumption	approx. 3.5 W
Environmental data	
Protection type (EN 60529)	Front: IP 65 Back: IP 20
Ambient temperature (IEC 68-2-14)	0 ... 55 °C
Storage temp. (IEC 68-2-1/IEC 68-2-2)	-20 ... +70 °C
Climatic suitability (IEC 68-2-3)	max. 85 % humidity
Vibration (IEC 68-2-6)	33 Hz, 1 mm amplitude, 5 g
Mechanical data	
Housing material	Front: Polyester Back: Stainless steel
Dimensions (H x W x D)	72 x 144 x 65 mm
Weight	700 g

Parallel and Serial Interface

PX 30

Description

The text display has 24 inputs and one output with 24-V DC-level for parallel start-up and one serial interface for serial start-up. When in serial operation (parameterising), all the 24 V inputs and outputs are available to one external circuit, e.g. for LED, buttons, key-operated switches. The control selects the message texts to be displayed (via the text number), into which the current data and measured values (variable values) are to be inserted.

A flash EPROM is integrated as the text memory. Message texts, variables and control characters are edited using the configuration tool PX-PRO.

The text display is able to use the IBM character set. The PX 30 also has the Cyrillic (Russian) character set. It can be mixed with the Latin character set.

A light sensor, which can be switched off, regulates the brightness of the display depending on the brightness of the surrounding area.

Functions

- Calling up text via parallel and serial interfaces
- Inserting variables
- Hard copy
- Operation of text monitor
- Programming the text memory
- Scrolling

Order data	PX 30
------------	-------

Designation	Order number
PX 30	307 668

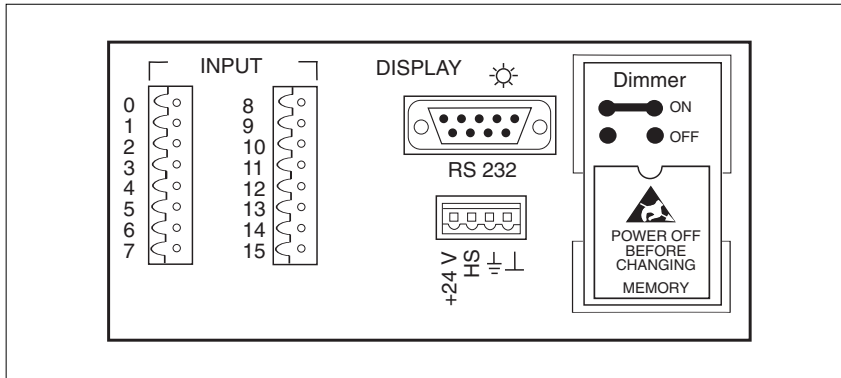
Accessories

Designation	Order number
PX-PRO for Windows® NT 4.0, 2000, XP (incl. serial programming cable)	307 447
PX-PRO for Windows® NT 4.0, 2000, XP update	307 448
Serial programming cable	301 965

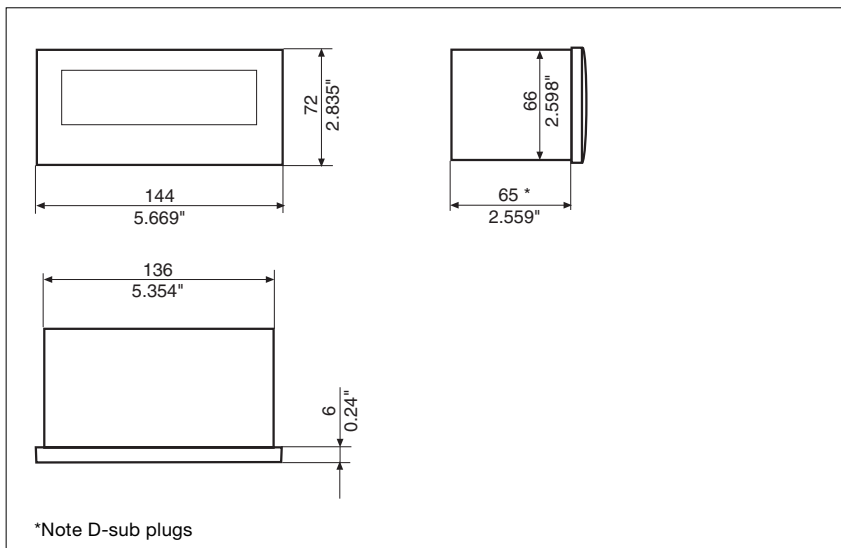
Parallel and Serial Interface

PX 30

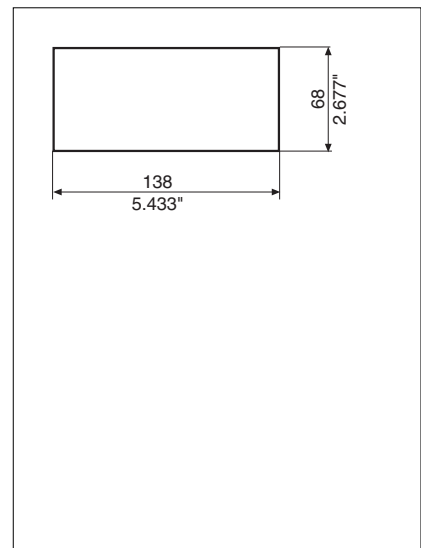
Rear View



Dimensions (in mm/")



Assembly cut-out (in mm/")





Artisan Technology Group is your source for quality new and certified-used/pre-owned equipment

- FAST SHIPPING AND DELIVERY
- TENS OF THOUSANDS OF IN-STOCK ITEMS
- EQUIPMENT DEMOS
- HUNDREDS OF MANUFACTURERS SUPPORTED
- LEASING/MONTHLY RENTALS
- ITAR CERTIFIED SECURE ASSET SOLUTIONS

SERVICE CENTER REPAIRS

Experienced engineers and technicians on staff at our full-service, in-house repair center

*InstraView*SM REMOTE INSPECTION

Remotely inspect equipment before purchasing with our interactive website at www.instraview.com ↗

WE BUY USED EQUIPMENT

Sell your excess, underutilized, and idle used equipment. We also offer credit for buy-backs and trade-ins. www.artisanng.com/WeBuyEquipment ↗

LOOKING FOR MORE INFORMATION?

Visit us on the web at www.artisanng.com ↗ for more information on price quotations, drivers, technical specifications, manuals, and documentation

Contact us: (888) 88-SOURCE | sales@artisanng.com | www.artisanng.com