



## Artisan Technology Group is your source for quality new and certified-used/pre-owned equipment

- FAST SHIPPING AND DELIVERY
- TENS OF THOUSANDS OF IN-STOCK ITEMS
- EQUIPMENT DEMOS
- HUNDREDS OF MANUFACTURERS SUPPORTED
- LEASING/MONTHLY RENTALS
- ITAR CERTIFIED SECURE ASSET SOLUTIONS

### SERVICE CENTER REPAIRS

Experienced engineers and technicians on staff at our full-service, in-house repair center

### *InstraView*<sup>SM</sup> REMOTE INSPECTION

Remotely inspect equipment before purchasing with our interactive website at [www.instraview.com](http://www.instraview.com) ↗

### WE BUY USED EQUIPMENT

Sell your excess, underutilized, and idle used equipment. We also offer credit for buy-backs and trade-ins. [www.artisanng.com/WeBuyEquipment](http://www.artisanng.com/WeBuyEquipment) ↗

### LOOKING FOR MORE INFORMATION?

Visit us on the web at [www.artisanng.com](http://www.artisanng.com) ↗ for more information on price quotations, drivers, technical specifications, manuals, and documentation

**Contact us:** (888) 88-SOURCE | [sales@artisanng.com](mailto:sales@artisanng.com) | [www.artisanng.com](http://www.artisanng.com)

## INTERBUS-S-Interface

### PX 30 IBS



Compact text display with link to INTERBUS-S.

#### Features

- Vacuum fluorescent display with automatic dimmer
- 2 lines of 20 characters

Technical Details	PX 30 IBS
<b>Display</b>	
Display type	Vacuum fluorescent display
Number of lines	2
Number of characters per line	20
Height of character	5 mm
Dot matrix	5 x 7 dots
Character sets	IBM character set: (code page 437) Alphanumeric characters including European special characters plus the Cyrillic (Russian) character set
Message texts	max. 9999, typically 1250 (memory-dependent)
Representation of variables	8 variables per message, max 10 digits
Hard copies	Yes
Brightness setting	Automatic dimmer (can be switched on)
Text memory	Flash-EPROM, 64 KByte
<b>Printers</b>	
Printers supported	H PP 100, IP 144-40
<b>Interfaces</b>	
Start-up interface	Interbus interface (field bus terminal); Remote bus IN, 9 pin D-sub male connector; Remote bus OUT, 9 pin D-sub-female connector
Programming interface	Serial interface: RS 232, 9 pin D-sub male connector
Printer interface	Serial interface: RS 232, 9 pin D-sub male connector
<b>Electrical data</b>	
Supply voltage	24 V DC
Tolerance	18 ... 32 VDC including residual ripple
Power consumption	approx. 4.8 W
<b>Environmental data</b>	
Protection type (EN 60529, 10/91)	Front: IP 65 Back: IP 20
Ambient temperature (IEC 68-2-14)	0 ... 55 °C
Storage temp. (IEC 68-2-1, IEC 68-2-2)	-20 ... +70 °C
Climatic suitability (IEC 68-2-3)	max. 85 % humidity
Vibration (IEC 68-2-6, 1969)	33 Hz, 1 mm amplitude, 5 g
<b>Mechanical data</b>	
Housing material	Front: Polyester Back: Stainless steel
Dimensions (H x W x D)	72 x 144 x 65 mm
Weight	700 g

## INTERBUS-S-Interface PX 30 IBS

### Description

The text display possesses one remote bus IN and one remote bus OUT connection respectively for control via the INTERBUS-S-remote bus terminal. Since the connection takes place directly in the remote bus, no additional bus terminal is needed. 3 input words respectively and 3 output words are needed for process data transmission. Function blocks are available for automatic data exchange between the control and text display for the Siemens SIMATIC S5.

A flash EPROM is integrated as the text memory. Message texts, variables and control characters are edited using the configuration tool PX-PRO.

The text display is able to use the IBM character set. The PX 30 IBS also has the Cyrillic (Russian) character set. It can be mixed with the Latin character set.

A light sensor, which can be switched off, regulates the brightness of the display depending on the brightness of the surrounding area.

### Functions

- Calling up text
- Inserting variables
- Hard copy
- Operation of text monitor
- Scrolling

Order data	PX 30 IBS
------------	-----------

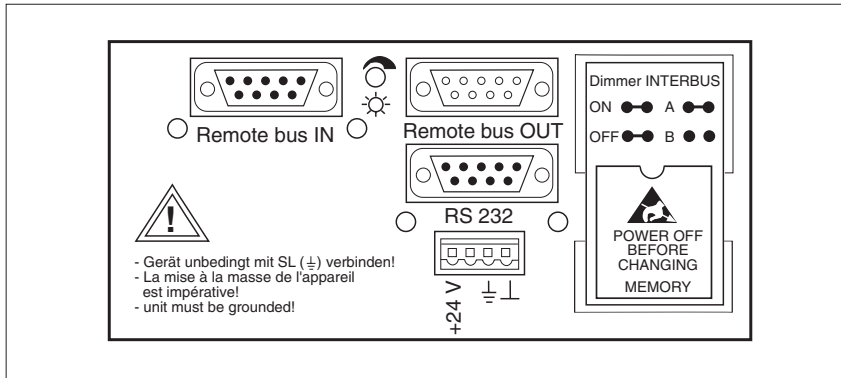
Designation	Order number
PX 30 IBS	307 669

Accessories
-------------

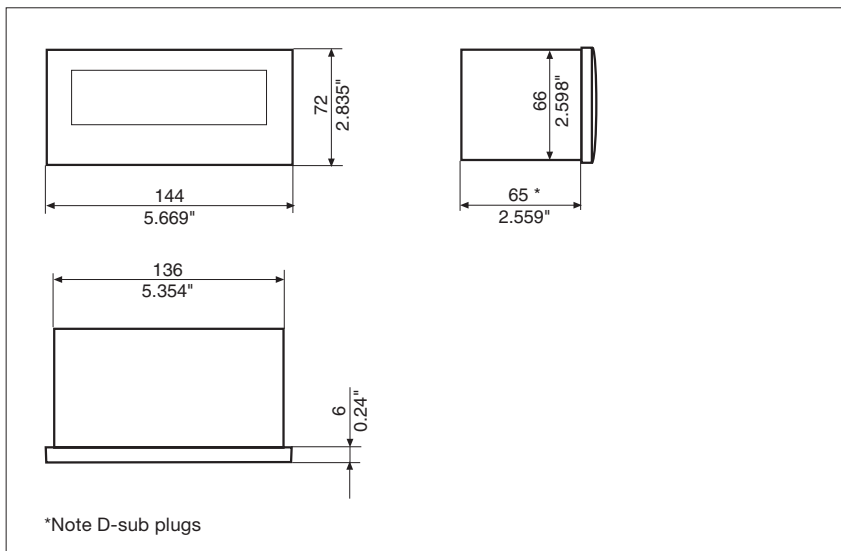
Designation	Order number
PX-PRO for Windows® 95/98/NT 4.0 (incl. serial programming cable)	307 447
PX-PRO for Windows® 95/98/NT 4.0 update	307 448
Serial programming cable	310 300

## INTERBUS-S-Interface PX 30 IBS

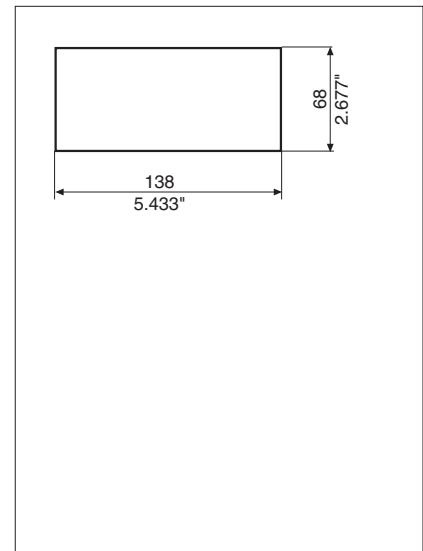
### Rear View



### Dimensions (in mm/")



### Assembly cut-out (in mm/")





## Artisan Technology Group is your source for quality new and certified-used/pre-owned equipment

- FAST SHIPPING AND DELIVERY
- TENS OF THOUSANDS OF IN-STOCK ITEMS
- EQUIPMENT DEMOS
- HUNDREDS OF MANUFACTURERS SUPPORTED
- LEASING/MONTHLY RENTALS
- ITAR CERTIFIED SECURE ASSET SOLUTIONS

### SERVICE CENTER REPAIRS

Experienced engineers and technicians on staff at our full-service, in-house repair center

### *InstraView*<sup>SM</sup> REMOTE INSPECTION

Remotely inspect equipment before purchasing with our interactive website at [www.instraview.com](http://www.instraview.com) ↗

### WE BUY USED EQUIPMENT

Sell your excess, underutilized, and idle used equipment. We also offer credit for buy-backs and trade-ins. [www.artisanng.com/WeBuyEquipment](http://www.artisanng.com/WeBuyEquipment) ↗

### LOOKING FOR MORE INFORMATION?

Visit us on the web at [www.artisanng.com](http://www.artisanng.com) ↗ for more information on price quotations, drivers, technical specifications, manuals, and documentation

**Contact us:** (888) 88-SOURCE | [sales@artisanng.com](mailto:sales@artisanng.com) | [www.artisanng.com](http://www.artisanng.com)