



Artisan Technology Group is your source for quality new and certified-used/pre-owned equipment

- FAST SHIPPING AND DELIVERY
- TENS OF THOUSANDS OF IN-STOCK ITEMS
- EQUIPMENT DEMOS
- HUNDREDS OF MANUFACTURERS SUPPORTED
- LEASING/MONTHLY RENTALS
- ITAR CERTIFIED SECURE ASSET SOLUTIONS

SERVICE CENTER REPAIRS

Experienced engineers and technicians on staff at our full-service, in-house repair center

*InstraView*SM REMOTE INSPECTION

Remotely inspect equipment before purchasing with our interactive website at www.instraview.com ↗

WE BUY USED EQUIPMENT

Sell your excess, underutilized, and idle used equipment. We also offer credit for buy-backs and trade-ins. www.artisanng.com/WeBuyEquipment ↗

LOOKING FOR MORE INFORMATION?

Visit us on the web at www.artisanng.com ↗ for more information on price quotations, drivers, technical specifications, manuals, and documentation

Contact us: (888) 88-SOURCE | sales@artisanng.com | www.artisanng.com

S5-PG-Interface

PX 30 PGS5



Compact text display with serial interface for connection to a Siemens SIMATIC S5.

Features

- Vacuum fluorescent display with automatic dimmer
- 2 lines of 20 characters

Technical Details	PX 30 PGS5
Display	
Display type	Vacuum fluorescent display
Number of lines	2
Number of characters per line	20
Height of character	5 mm
Dot matrix	5 x 7 dots
Character sets	IBM character set: (code page 437) Alphanumeric characters including European special characters plus the Cyrillic (Russian) character set
Message texts	max. 9999, typically 1250 (memory-dependent)
Representation of variables	8 variables per message, max 10 digits
Hard copies	Yes
Brightness setting	Automatic dimmer (can be switched on)
Text memory	Flash-EPROM, 64 KByte
Printers	
Printers supported	H PP 100, IP 144-40
Interfaces	
Start-up interface	S5-PG-interface TTY passive, 9 pin D-sub female connector
Programming interface	Serial interface: RS 232, 9 pin D-sub male connector
Printer interface	Serial interface: RS 232, 9 pin D-sub male connector
Electrical data	
Supply voltage	24 V DC
Tolerance	18 ... 32 VDC including residual ripple
Power consumption	approx. 3.5 W
Environmental data	
Protection type (EN 60529, 10/91)	Front: IP 65 Back: IP 20
Ambient temperature (IEC 68-2-14)	0 ... 55 °C
Storage temp. (IEC 68-2-1, IEC 68-2-2)	-20 ... +70 °C
Climatic suitability (IEC 68-2-3)	max. 85 % humidity
Vibration (IEC 68-2-6, 1969)	33 Hz, 1 mm amplitude, 5 g
Mechanical data	
Housing material	Front: Polyester Back: Stainless steel
Dimensions (H x W x D)	72 x 144 x 65 mm
Weight	700 g

S5-PG-Interface PX 30 PGS5

Description

The text display has an interface for direct connection via the AS 511-protocol to the PG-interface of the Siemens SIMATIC S5. The PLC data sources are allocated to the text file by parameterising. The data exchange between the control and text display runs entirely automatically with the aid of the driver protocol. No further programming is necessary on the control side.

A flash EPROM is integrated as the text memory. Message texts, variables and control characters are edited using the configuration tool PX-PRO.

The text display is able to use the IBM character set. The PX 30 PGS5 also has the Cyrillic (Russian) character set. It can be mixed with the Latin character set.

A light sensor, which can be switched off, regulates the brightness of the display depending on the brightness of the surrounding area.

Functions

- Calling up text
- Inserting variables
- Hard copy
- Scrolling

Order data

PX 30 PGS5

Designation	Order number
PX 30 PGS5	307 671
PX 30 PGS5 KIT	307 680

Accessories

Designation	Order number
PX-PRO for Windows® 95/98/NT 4.0 (incl. serial programming cable)	307 447
PX-PRO for Windows® 95/98/NT 4.0 update	307 448
H-PX/PXT-PGS5 (connection cable to the S5-PG-interface)	374 143
Serial programming cable	310 300

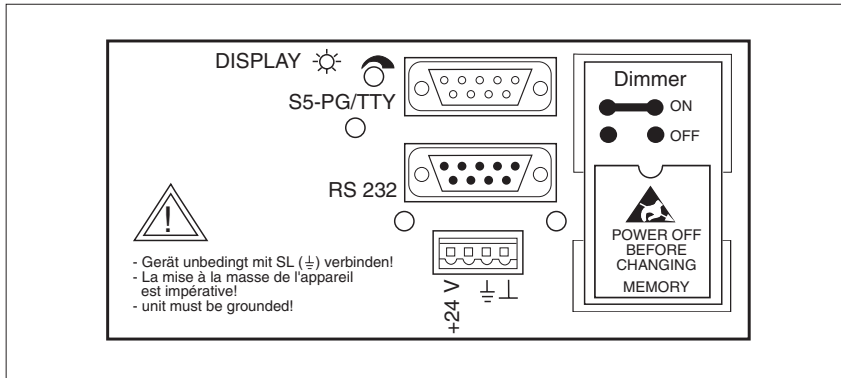
Starter Kit

The PX 30 PGS5 kit helps you to get to know the text display. It includes the PX 30 PGS5 text display and the programming accessories needed for initial use or for trying out the system:

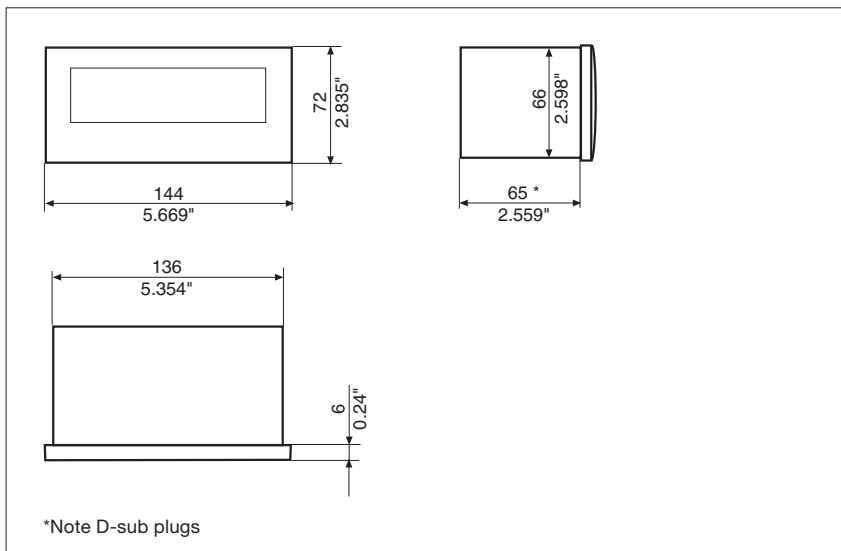
- Text display PX 30
- Editing software PX-PRO for Windows® 95/98/NT 4.0
- AKSET programming cable
- Connection cable to the S5-PG-interface
- Manuals

S5-PG-Interface PX 30 PGS5

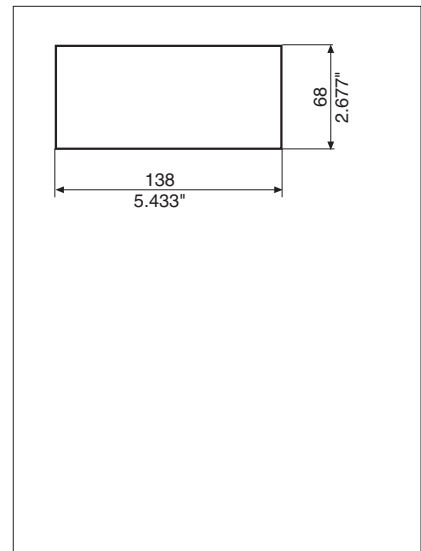
Rear View



Dimensions (in mm/")



Assembly cut-out (in mm/")





Artisan Technology Group is your source for quality new and certified-used/pre-owned equipment

- FAST SHIPPING AND DELIVERY
- TENS OF THOUSANDS OF IN-STOCK ITEMS
- EQUIPMENT DEMOS
- HUNDREDS OF MANUFACTURERS SUPPORTED
- LEASING/MONTHLY RENTALS
- ITAR CERTIFIED SECURE ASSET SOLUTIONS

SERVICE CENTER REPAIRS

Experienced engineers and technicians on staff at our full-service, in-house repair center

*InstraView*SM REMOTE INSPECTION

Remotely inspect equipment before purchasing with our interactive website at www.instraview.com ↗

WE BUY USED EQUIPMENT

Sell your excess, underutilized, and idle used equipment. We also offer credit for buy-backs and trade-ins. www.artisanng.com/WeBuyEquipment ↗

LOOKING FOR MORE INFORMATION?

Visit us on the web at www.artisanng.com ↗ for more information on price quotations, drivers, technical specifications, manuals, and documentation

Contact us: (888) 88-SOURCE | sales@artisanng.com | www.artisanng.com