



## Artisan Technology Group is your source for quality new and certified-used/pre-owned equipment

- FAST SHIPPING AND DELIVERY
- TENS OF THOUSANDS OF IN-STOCK ITEMS
- EQUIPMENT DEMOS
- HUNDREDS OF MANUFACTURERS SUPPORTED
- LEASING/MONTHLY RENTALS
- ITAR CERTIFIED SECURE ASSET SOLUTIONS

### SERVICE CENTER REPAIRS

Experienced engineers and technicians on staff at our full-service, in-house repair center

### *InstraView*<sup>SM</sup> REMOTE INSPECTION

Remotely inspect equipment before purchasing with our interactive website at [www.instraview.com](http://www.instraview.com) ↗

### WE BUY USED EQUIPMENT

Sell your excess, underutilized, and idle used equipment. We also offer credit for buy-backs and trade-ins. [www.artisanng.com/WeBuyEquipment](http://www.artisanng.com/WeBuyEquipment) ↗

### LOOKING FOR MORE INFORMATION?

Visit us on the web at [www.artisanng.com](http://www.artisanng.com) ↗ for more information on price quotations, drivers, technical specifications, manuals, and documentation

**Contact us:** (888) 88-SOURCE | [sales@artisanng.com](mailto:sales@artisanng.com) | [www.artisanng.com](http://www.artisanng.com)

## SUCONET-K1-Interface

### PX 30 SUC-K1



Compact text display with connection to the PLC via SUCONET K1.

#### Features

- Vacuum fluorescent display with automatic dimmer
- 2 lines of 20 characters

Technical Details	PX 30 SUC-K1
<b>Display</b>	
Display type	Vacuum fluorescent display
Number of lines	2
Number of characters per line	20
Height of character	5 mm
Dot matrix	5 x 7 dots
Character sets	IBM character set: (code page 437) Alphanumeric characters including European special characters plus the Cyrillic (Russian) character set
Message texts	max. 9999, typically 1250 (memory-dependent)
Representation of variables	8 variables per message, max 10 digits
Hard copies	Yes
Brightness setting	Automatic dimmer (can be switched on)
Text memory	Flash-EPROM, 64 KByte
<b>Printers</b>	
Printers supported	H PP100, IP 144-40
<b>Interfaces</b>	
Start-up interface	SUCONET-K1-Interface (Moeller): RS 485, 9 pin D-sub-female connector, bus terminal resistances must be wired in the connection plug
Programming interface	Serial interface: RS 232, 9 pin D-sub male connector
Printer interface	Serial interface: RS 232, 9 pin D-sub male connector
<b>Electrical data</b>	
Supply voltage	24 V DC
Tolerance	18 ... 32 VDC including residual ripple
Power consumption	Approx. 4.8 W
<b>Environmental data</b>	
Protection type (EN 60529, 10/91)	Front: IP 65 Back: IP 20
Ambient temperature (IEC 68-2-14)	0 ... 55 °C
Storage temp. (IEC 68-2-1/IEC 68-2-2)	-20 ... +70 °C
Climatic suitability (IEC 68-2-3)	max. 85 % humidity
Vibration (IEC 68-2-6, 1969)	33 Hz, 1 mm amplitude, 5 g
<b>Mechanical data</b>	
Housing material	Front: Polyester Back: Stainless steel
Dimensions (H x W x D)	72 x 144 x 65 mm
Weight	700 g

## SUCONET-K1-Interface PX 30 SUC-K1

### Description

The text display has an interface for direct connection to SUCONET K1 combined with a Moeller type PS4 201 control. The start-up interface terminals are in the connection plug. Function blocks for automatic data exchange between the control and text display are available for the type PS4 201 Moeller control. The data exchange between the control and operator terminal runs entirely automatically with the aid of the function blocks.

A flash EPROM is integrated as the text memory. Message texts, variables and control characters are edited using the configuration tool PX-PRO.

The text display is able to use the IBM character set.

The PX 30 SUC-K1 also has the Cyrillic (Russian) character set. It can be mixed with the Latin character set.

A light sensor, which can be switched off, regulates the brightness of the display depending on the brightness of the surrounding area.

### Functions

- Calling up text
- Inserting variables
- Hard copy
- Operation of text monitor
- Scrolling

Order data	PX 30 SUC-K1
------------	--------------

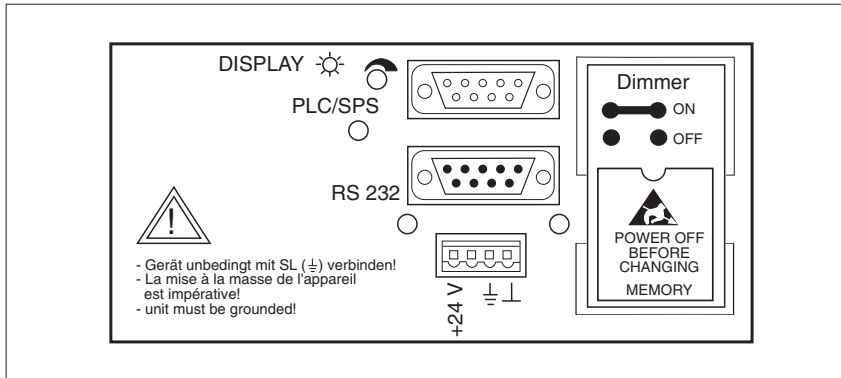
Designation	Order number
PX 30 SUC-K1	307 670

Accessories
-------------

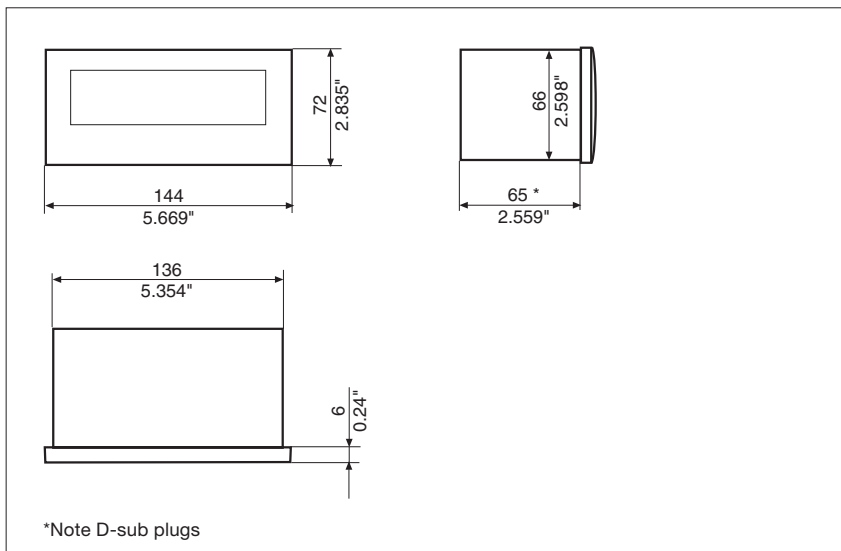
Designation	Order number
PX-PRO for Windows® 95/98/NT 4.0 (incl. serial programming cable)	307 447
PX-PRO for Windows® 95/98/NT 4.0 update	307 448
HP-PX/PXT-SUC-K1 (connection cable to the SUCONET-K1-interface)	374 146
Serial programming cable	310 300
ASW-SUC-K1 (function module for Moeller control PS4 201)	304 162

## SUCONET-K1-Interface PX 30 SUC-K1

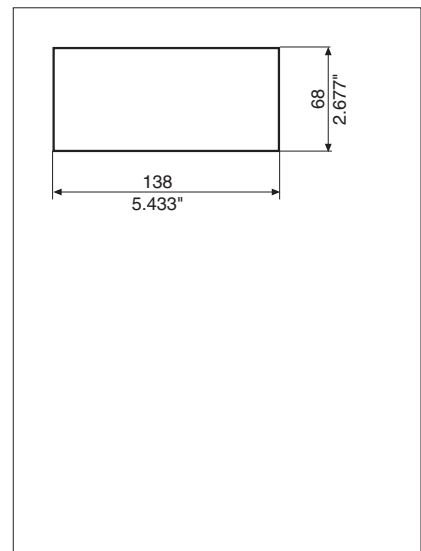
### Rear View



### Dimensions (in mm/")



### Assembly cut-out (in mm/")





## Artisan Technology Group is your source for quality new and certified-used/pre-owned equipment

- FAST SHIPPING AND DELIVERY
- TENS OF THOUSANDS OF IN-STOCK ITEMS
- EQUIPMENT DEMOS
- HUNDREDS OF MANUFACTURERS SUPPORTED
- LEASING/MONTHLY RENTALS
- ITAR CERTIFIED SECURE ASSET SOLUTIONS

### SERVICE CENTER REPAIRS

Experienced engineers and technicians on staff at our full-service, in-house repair center

### *InstraView*<sup>SM</sup> REMOTE INSPECTION

Remotely inspect equipment before purchasing with our interactive website at [www.instraview.com](http://www.instraview.com) ↗

### WE BUY USED EQUIPMENT

Sell your excess, underutilized, and idle used equipment. We also offer credit for buy-backs and trade-ins. [www.artisanng.com/WeBuyEquipment](http://www.artisanng.com/WeBuyEquipment) ↗

### LOOKING FOR MORE INFORMATION?

Visit us on the web at [www.artisanng.com](http://www.artisanng.com) ↗ for more information on price quotations, drivers, technical specifications, manuals, and documentation

**Contact us:** (888) 88-SOURCE | [sales@artisanng.com](mailto:sales@artisanng.com) | [www.artisanng.com](http://www.artisanng.com)