



# Artisan Scientific

QUALITY INSTRUMENTATION ... GUARANTEED

## Looking for more information?

Visit us on the web at <http://www.artisan-scientific.com> for more information:

- Price Quotations
- Drivers
- Technical Specifications, Manuals and Documentation

## Artisan Scientific is Your Source for Quality New and Certified-Used/Pre-owned Equipment

- Tens of Thousands of In-Stock Items
- Hundreds of Manufacturers Supported
- Fast Shipping and Delivery
- Leasing / Monthly Rentals
- Equipment Demos
- Consignment

### Service Center Repairs

Experienced Engineers and Technicians on staff in our State-of-the-art Full-Service In-House Service Center Facility

### InstraView™ Remote Inspection

Remotely inspect equipment before purchasing with our Innovative InstraView™ website at <http://www.instraview.com>

### We buy used equipment! We also offer credit for Buy-Backs and Trade-Ins

Sell your excess, underutilized, and idle used equipment. Contact one of our Customer Service Representatives today!

Talk to a live person: 888-88-SOURCE (888-887-6872) | Contact us by email: [sales@artisan-scientific.com](mailto:sales@artisan-scientific.com) | Visit our website: <http://www.artisan-scientific.com>

## S5-PG-Interface PXT 5 PGS5



Compact operator terminal with serial interface for connection to a Siemens SIMATIC S5.

### Features

- Vacuum fluorescent display with automatic dimmer
- 2 lines of 20 characters
- 5 function keys

| Technical Details                      | PXT 5 PGS5  |
|--|---|
| <b>Display</b>                         |   |
| Display type                           | Vacuum fluorescent display  |
| Number of lines                        | 2   |
| Number of characters per line          | 20  |
| Height of character                    | 5 mm  |
| Dot matrix                             | 5 x 7 dots  |
| Character sets                         | IBM character set: (code page 437)<br>Alphanumeric characters including European special characters plus the Cyrillic (Russian) character set |
| Message texts                          | max. 9999, typically 1250 (memory-dependent)  |
| Representation of variables            | 8 variables per message, max 10 digits  |
| Hard copies                            | Yes   |
| Brightness setting                     | Automatic dimmer (can be switched on)   |
| Text memory                            | Flash-EPROM, 64 KByte   |
| <b>Operating elements</b>              |   |
| Keyboard type                          | Sealed membrane keypad with positive feedback   |
| Number of keys                         | 5 function keys   |
| Average service life                   | $\geq 1 \cdot 10^6$ switching cycles  |
| <b>Printers</b>                        |   |
| Printers supported                     | H PP 100, IP 144-40   |
| <b>Interfaces</b>                      |   |
| Start-up interface                     | S5-PG-interface: TTY passive, active<br>9 pin D-sub female connector  |
| Programming interface                  | Serial interface: RS 232,<br>9 pin D-sub male connector   |
| Printer interface                      | Serial interface: RS 232,<br>9 pin D-sub male connector   |
| <b>Electrical data</b>                 |   |
| Supply voltage                         | 24 V DC   |
| Tolerance                              | 18 ... 32 VDC including residual ripple   |
| Power consumption                      | approx. 3.5 W   |
| <b>Environmental data</b>              |   |
| Protection type (EN 60529, 10/91)      | Front: IP 65<br>Back: IP 20   |
| Ambient temperature (IEC 68-2-14)      | 0 ... 55 °C   |
| Storage temp. (IEC 68-2-1, IEC 68-2-2) | -20 ... +70 °C  |
| Climatic suitability (IEC 68-2-3)      | max. 85 % humidity  |
| Vibration (IEC 68-2-6, 1969)           | 33 Hz, 1 mm amplitude, 5 g  |
| <b>Mechanical data</b>                 |   |
| Housing material                       | Front: Polyester<br>Back: Stainless steel   |
| Dimensions (H x W x D)                 | 72 x 144 x 75 mm  |
| Weight                                 | 700 g   |

## S5-PG-Interface PXT 5 PGS5

### Description

The operator terminal has an interface for direct connection via the AS 511-protocol to the PG-interface of the Siemens SIMATIC S5. The PLC data sources are allocated to the text file by parameterising. The data exchange between the control and operator terminal runs entirely automatically with the aid of the driver protocol. No further programming is necessary on the control side.

A flash EPROM is integrated as the text memory. Message texts, variables and control characters are edited using the configuration tool PX-PRO.

The operator terminal is able to use the IBM character set. The PX 5 PGS5 also has the Cyrillic (Russian) character set. It can be mixed with the Latin character set.

A light sensor, which can be switched off, regulates the brightness of the display depending on the brightness of the surrounding area.

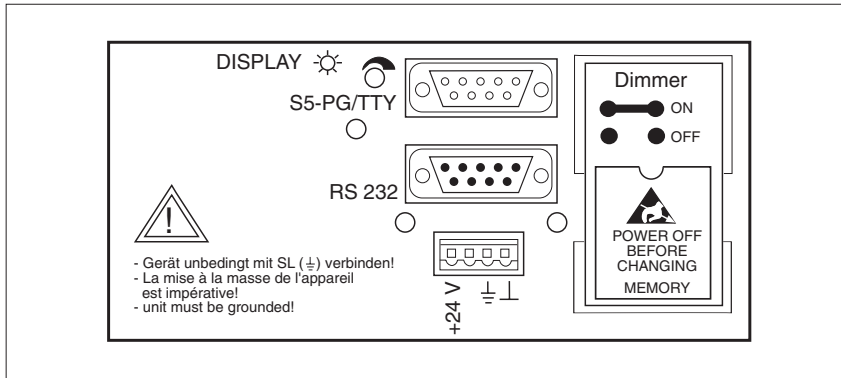
### Functions

- Transmitting key codes
- Calling up text
- Inserting variables
- Menu functions for S5-control
- Hard copy
- Operation of text monitor
- Scrolling

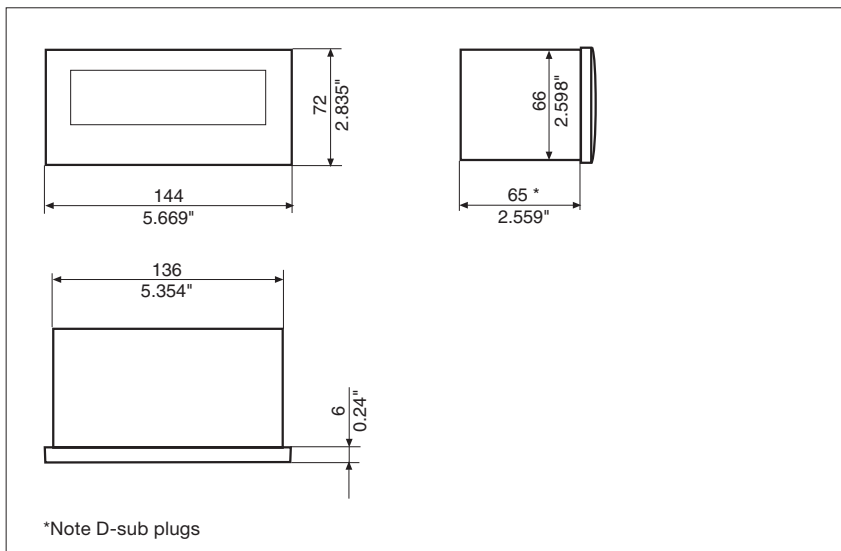
| Order data   |  | PXT 5 PGS5          |
|--|--|---------------------|
| <b>Designation</b>   |  | <b>Order number</b> |
| PXT 5PGS5  |  | 308 694             |
| <b>Accessories</b>   |  |                     |
| <b>Designation</b>   |  | <b>Order number</b> |
| PX-PRO for Windows® 95/98/NT 4.0<br>(incl. serial programming cable) |  | 307 447             |
| PX-PRO for Windows® 95/98/NT 4.0<br>update                           |  | 307 448             |
| H-PX/PXT-PGS5 (connection cable to the<br>S5-PG-interface)           |  | 374 143             |
| Serial programming cable   |  | 310 300             |

## S5-PG-Interface PXT 5 PGS5

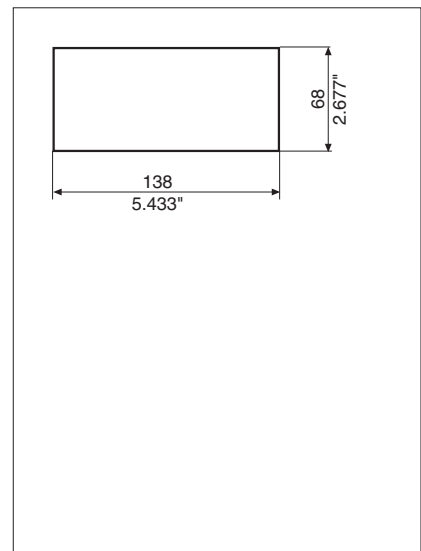
### Rear View



### Dimensions (in mm/")



### Assembly cut-out (in mm/")





# Artisan Scientific

QUALITY INSTRUMENTATION ... GUARANTEED

## Looking for more information?

Visit us on the web at <http://www.artisan-scientific.com> for more information:

- Price Quotations
- Drivers
- Technical Specifications, Manuals and Documentation

## Artisan Scientific is Your Source for Quality New and Certified-Used/Pre-owned Equipment

- Tens of Thousands of In-Stock Items
- Hundreds of Manufacturers Supported
- Fast Shipping and Delivery
- Leasing / Monthly Rentals
- Equipment Demos
- Consignment

### Service Center Repairs

Experienced Engineers and Technicians on staff in our State-of-the-art Full-Service In-House Service Center Facility

### InstraView™ Remote Inspection

Remotely inspect equipment before purchasing with our Innovative InstraView™ website at <http://www.instraview.com>

### We buy used equipment! We also offer credit for Buy-Backs and Trade-Ins

Sell your excess, underutilized, and idle used equipment. Contact one of our Customer Service Representatives today!

Talk to a live person: 888-88-SOURCE (888-887-6872) | Contact us by email: [sales@artisan-scientific.com](mailto:sales@artisan-scientific.com) | Visit our website: <http://www.artisan-scientific.com>