



## Artisan Technology Group is your source for quality new and certified-used/pre-owned equipment

- FAST SHIPPING AND DELIVERY
- TENS OF THOUSANDS OF IN-STOCK ITEMS
- EQUIPMENT DEMOS
- HUNDREDS OF MANUFACTURERS SUPPORTED
- LEASING/MONTHLY RENTALS
- ITAR CERTIFIED SECURE ASSET SOLUTIONS

### SERVICE CENTER REPAIRS

Experienced engineers and technicians on staff at our full-service, in-house repair center

### *InstraView*<sup>SM</sup> REMOTE INSPECTION

Remotely inspect equipment before purchasing with our interactive website at [www.instraview.com](http://www.instraview.com) ↗

### WE BUY USED EQUIPMENT

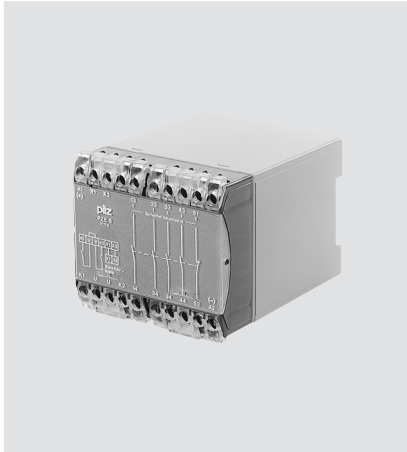
Sell your excess, underutilized, and idle used equipment. We also offer credit for buy-backs and trade-ins. [www.artisanng.com/WeBuyEquipment](http://www.artisanng.com/WeBuyEquipment) ↗

### LOOKING FOR MORE INFORMATION?

Visit us on the web at [www.artisanng.com](http://www.artisanng.com) ↗ for more information on price quotations, drivers, technical specifications, manuals, and documentation

**Contact us:** (888) 88-SOURCE | [sales@artisanng.com](mailto:sales@artisanng.com) | [www.artisanng.com](http://www.artisanng.com)

## Instantaneous PZE 5



Expander module in accordance with VDE 0113, EN 60 204-1 and IEC 204-1 to increase the number of safety contacts available.

### Features

- Single or dual-channel operation

### Approvals

	PZE 5
	●
	●
INRS	●
	●
	●

Technical Details	PZE 5
<b>Electrical Data</b>	
Supply Voltage	AC: 24, 42, 48, 110, 120, 230, 240 V DC: 24 V
Tolerance	85 ... 110 %
Power Consumption	Approx. 3.5 W/5 VA
Maximum Sum of Output Current	Max. 40 A
Switching Capability in accordance with EN 60 947-4-1	AC1: 240 V/8 A/2000 VA 400 V/5A/2000 VA DC1: 24 V/8 A/200 W
EN 60 947-5-1 (DC13: 6 cycles/min.)	AC15: 230 V/5 A; DC13: 24 V/7A
Output Contacts	4 safety contacts (N/O), 1 auxiliary contact (N/C)
Contact Fuse Protection (EN 60 947-5-1)	10 A quick or 6 A slow
<b>Times</b>	
Delay-on Energisation	Approx. 30 ms
Delay-on De-energisation	Approx. 50 ms
<b>Mechanical Data</b>	
Maximum Cross Section of External Conductors	2 x 2.5 mm <sup>2</sup> Single-core or multi-core with crimp connectors
Dimensions (H x W x D)	87 x 90 x 110 mm
Weight	AC: 420 g, DC: 340 g

### Description

- 90 mm, P-75-housing, DIN-Rail mounting
- Positive-guided relay outputs:
  - 4 safety contacts (N/O)
  - 1 auxiliary contact (N/C)
- Connection for feedback control loop

### Function Description

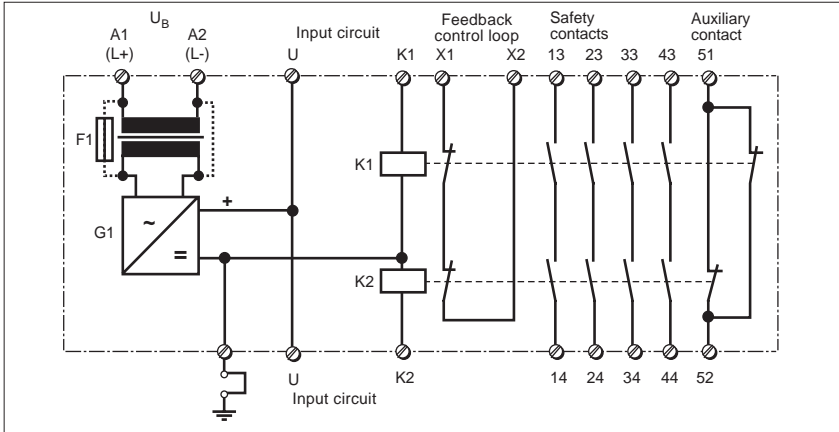
PZE 5 is used to increase the number of safety contacts available on

- E-STOP relays
- Safety gate monitors
- Two-hand relays

All base units must have a feedback control loop.

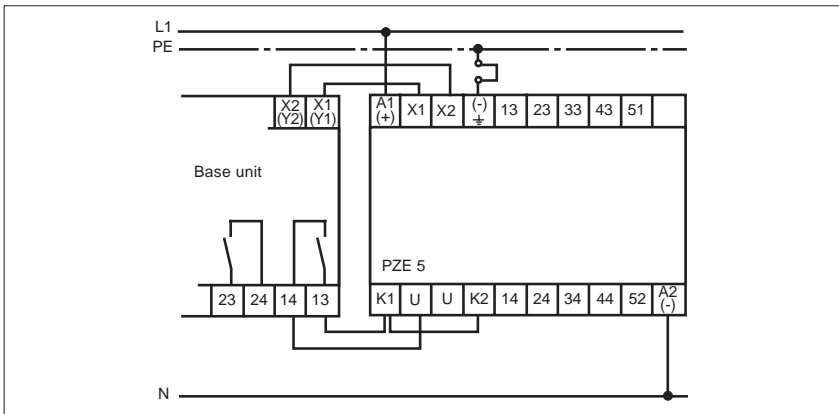
## Instantaneous PZE 5

### Internal Wiring Diagram

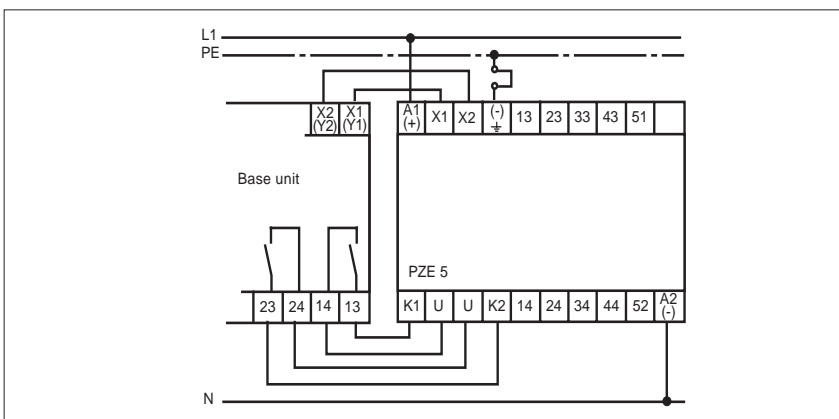


### External Wiring

- Example 1  
Single-channel operation



- Example 2  
Dual-channel operation



## Instantaneous PZE 5

### General Technical Data

Unless stated otherwise in the technical details for the specific unit

#### Electrical Data

Frequency Range AC	50 ... 60 Hz
Residual Ripple DC	160 %
Contact Material	AgSnO <sub>2</sub>
Continuous Duty	100 %

#### Environmental Data

EMC	EN 50081-1, 01/92, EN 50082-2, 03/95
Vibration in accordance with EN 60068-2-6, 04/95	Frequency: 10 ... 55 Hz, Amplitude: 0.35 mm
Climatic Suitability	IEC 60068-2-3, 1969
Airgap Creepage	DIN VDE 0110 part1, 04/97
Ambient Temperature	-10 ... +55 °C
Storage Temperature	-40 ... +85 °C

#### Mechanical Data

Torque Setting on Connection Terminals	0.6 Nm (screws)
Mounting Position	Any
Housing Material	Thermoplast Noryl SE 100
Protection	Mounting: IP 54 Housing: IP 40 Terminal Range: IP 20



## Artisan Technology Group is your source for quality new and certified-used/pre-owned equipment

- FAST SHIPPING AND DELIVERY
- TENS OF THOUSANDS OF IN-STOCK ITEMS
- EQUIPMENT DEMOS
- HUNDREDS OF MANUFACTURERS SUPPORTED
- LEASING/MONTHLY RENTALS
- ITAR CERTIFIED SECURE ASSET SOLUTIONS

### SERVICE CENTER REPAIRS

Experienced engineers and technicians on staff at our full-service, in-house repair center

### *InstraView*<sup>SM</sup> REMOTE INSPECTION

Remotely inspect equipment before purchasing with our interactive website at [www.instraview.com](http://www.instraview.com) ↗

### WE BUY USED EQUIPMENT

Sell your excess, underutilized, and idle used equipment. We also offer credit for buy-backs and trade-ins. [www.artisanng.com/WeBuyEquipment](http://www.artisanng.com/WeBuyEquipment) ↗

### LOOKING FOR MORE INFORMATION?

Visit us on the web at [www.artisanng.com](http://www.artisanng.com) ↗ for more information on price quotations, drivers, technical specifications, manuals, and documentation

**Contact us:** (888) 88-SOURCE | [sales@artisanng.com](mailto:sales@artisanng.com) | [www.artisanng.com](http://www.artisanng.com)