



Artisan Technology Group is your source for quality new and certified-used/pre-owned equipment

- FAST SHIPPING AND DELIVERY
- TENS OF THOUSANDS OF IN-STOCK ITEMS
- EQUIPMENT DEMOS
- HUNDREDS OF MANUFACTURERS SUPPORTED
- LEASING/MONTHLY RENTALS
- ITAR CERTIFIED SECURE ASSET SOLUTIONS

SERVICE CENTER REPAIRS

Experienced engineers and technicians on staff at our full-service, in-house repair center

*InstraView*SM REMOTE INSPECTION

Remotely inspect equipment before purchasing with our interactive website at www.instraview.com ↗

WE BUY USED EQUIPMENT

Sell your excess, underutilized, and idle used equipment. We also offer credit for buy-backs and trade-ins. www.artisanng.com/WeBuyEquipment ↗

LOOKING FOR MORE INFORMATION?

Visit us on the web at www.artisanng.com ↗ for more information on price quotations, drivers, technical specifications, manuals, and documentation

Contact us: (888) 88-SOURCE | sales@artisanng.com | www.artisanng.com



CD150SS
Shown

CD100/150

Pump Volute / Impeller Materials

- CD (AI) – Cast Iron / Cast Iron
- CD (BF) – Cast Iron / Bronze
- CD (SF) – Cast Iron / 316SS
- CD (AB) – Bronze / Bronze
- CD (SS) – 316SS / 316SS
- CD (HC) – Hastelloy C / Hastelloy C

Features

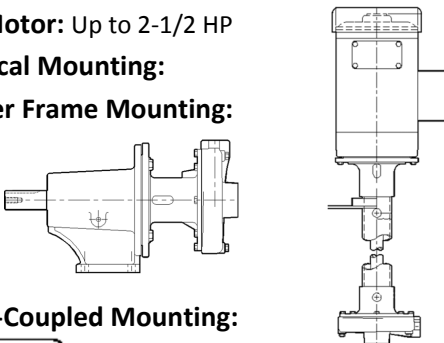
- **Pump Design** – Compact, close coupled
- **Double Seal** – Type 21 available
- **Teflon Seal** – Type 9 available
- **Flush Options** – Recirculating, Internal, & Quench available

Applications

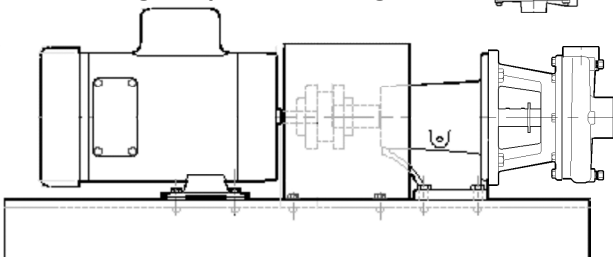
- Vapor Degreaser
- Chillers
- Deionized Water Processing
- Filter Systems
- Water Treatment Systems
- Circulation / Filtration

Optional Configurations

- **Air Motor:** Up to 2-1/2 HP
- **Vertical Mounting:**
- **Power Frame Mounting:**



- **Long-Coupled Mounting:**

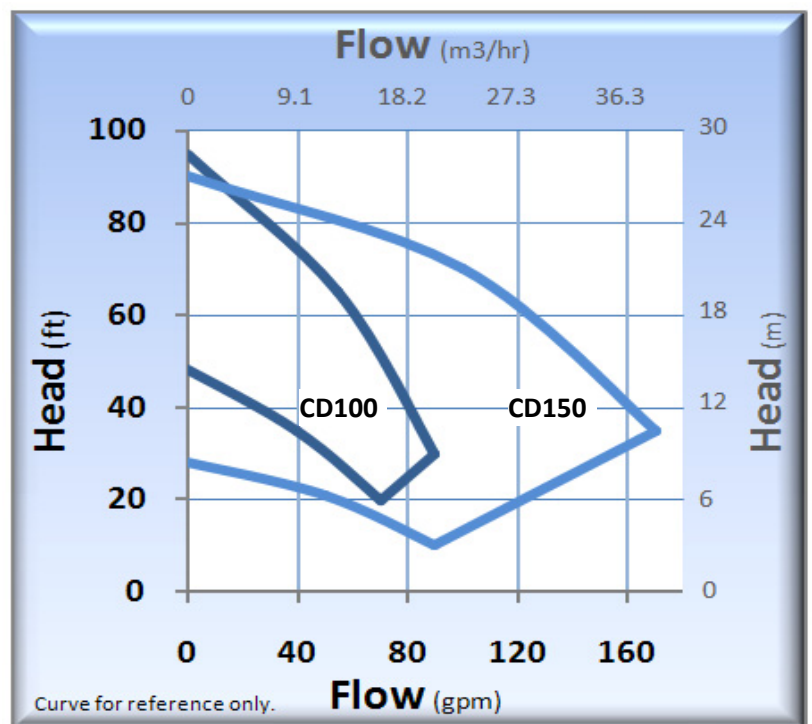


Standard Specifications

- CD100 / CD100V Discharge 1" FNPT, Suction 1-1/4" FNPT
- CD150 / CD150V Discharge 1-1/2" FNPT, Suction 2" FNPT
- Maximum Impeller Diameter: 4.94"
- Stub Shaft: 5/8" 316SS (7/8" Optional)
- Motor: NEMA C Face (Multiple enclosures available)
- Mechanical Seal:
 - Single, 5/8" Type 6A Buna, Carbon vs. Ceramic (AI, BF, SF, AB)
 - Single, 5/8" Type 21 Viton, Carbon vs. Ceramic (SS)
 - Single, 5/8" Type 9 Teflon, Carbon vs. Ceramic (HC)

Note: Additional seal options available

Performance Curve – 60 Hz



CD100/150

Technical Information		
Max Flow (CD100)	90 GPM (20.4 m3/hr)	
Max Flow (CD150)	170 GPM (38.6 m3/hr)	
Max Head	95 feet (29 m)	
Min. Flow (CD100)	12 GPM (2.7 m3/hr)	
Min. Flow (CD150)	25 GPM (5.7 m3/hr)	
Max Solid Size	0.150" (3.81 mm)	
Max Working Pressure	(Type 6A Seal)	75 PSI (5.2 bar)
	(Type 8 Seal)	325 PSI (22.4 bar)
	(Type 9 Seal)	350 PSI (24.1 bar)
	(Type 21 Seal)	150 PSI (10.3 bar)
(Type 2106 Seal)	150 PSI (10.3 bar)	
Max Temp.	300°F (121°C)*	

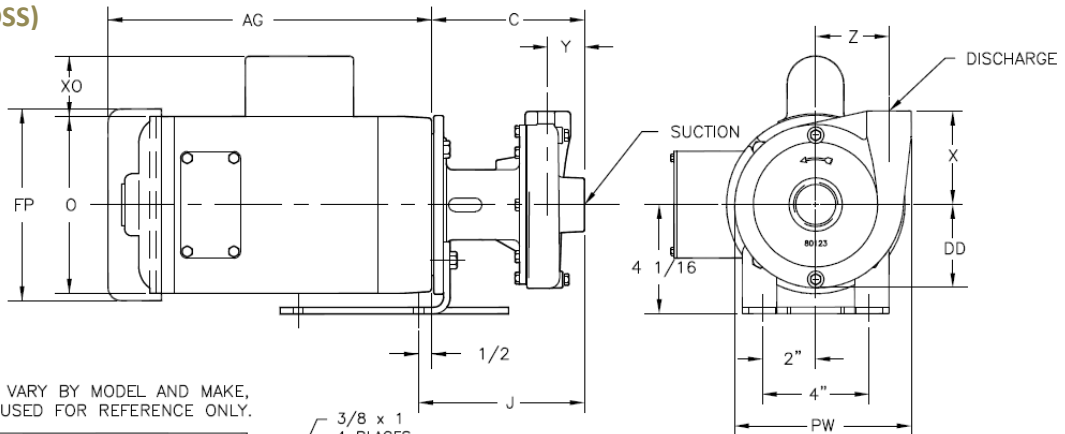
Materials of Construction						
CD	AI	BF	SF	AB	SS	HC
Volute	Cast Iron	Cast Iron	Cast Iron	Bronze	316SS	HC
Impeller	Cast Iron	Bronze	316SS	Bronze	316SS	HC
Bracket	Cast Iron	Cast Iron	Cast Iron	Bronze	316SS	HC
Gasket**	Syn. Fiber	Syn. Fiber	Syn. Fiber	N/A	Viton	Teflon
O-ring***	Buna	Buna	Buna	Buna	Viton	N/A
Fasteners	Plated Steel	Plated Steel	Plated Steel	18-8 SS	316 SS	HC

* Temperature limits will vary according to the liquid being pumped and the sealing materials used.

** Volute gasket is standard on CD100AI, BF, SF, SS, & CD100/150 HC.

*** Volute O-ring is standard on CD100AB, and CD150AI, BF, SF, AB, & SS.

Dimensions (cdss)



NOTE:
MOTOR DIMENSIONS WILL VARY BY MODEL AND MAKE.
DIMENSIONS ARE TO BE USED FOR REFERENCE ONLY.

MOTOR END DIMENSIONS						
HP	RPM	FRM	AG	FP	O	XO
1/4	1800	56C	7 3/4	6 1/8	5 3/8	2 1/16
1/3	1800	56C	8 1/4	6 1/8	5 3/8	2 1/16
1/2	1800	56C	8 3/4	6 1/8	5 3/8	2 1/16
1/3	3600	56C	8 1/2	6 1/8	5 3/8	2 1/16
1/2	3600	56C	8 3/4	6 1/8	5 3/8	2 1/16
3/4	3600	56C	9 1/4	6 1/8	5 3/8	2 1/16
1	3600	56C	9 3/4	6 1/8	5 3/8	2 1/16
1 1/2	3600	56C	10 1/2	7 3/16	6 7/8	2 1/4
2	3600	56C	11 1/8	7 3/16	6 7/8	2 1/4
3	3600	56C	12 3/8	7 3/16	6 7/8	2 1/4
5	3600	184C	13 5/8	8 1/2	7 7/8	2 1/4

NOTE:

ALL DIMENSIONS HAVE BEEN ROUNDED TO THE NEAREST 1/8".

PUMP END DIMENSIONS									
	C	DD	PW	X	Y	Z	J	SUCTION	DISCHG
CD100 SS	5 3/4	3 1/8	6 5/8	3 1/2	1 3/8	2 3/4	6 1/4	1 1/4	1"
CD150 SS	6 13/16	4 1/16	7 15/16	3 13/16	2 1/8	3 1/16	7 5/16	2"	1 1/2"

PRICE PUMP CO.

21775 Eighth Street East
Sonoma, CA 95476-0329
MAIN (707) 938-8441
TOLL FREE (800) 345-7867
FAX (707) 938-0764

E-mail: sales@pricepump.com
Website: www.pricepump.com

Contact factory for special pump configurations,
same day, and next day delivery options.

Member of:
Hydraulic INSTITUTE



Rev. Date: May 2009



Artisan Technology Group is your source for quality new and certified-used/pre-owned equipment

- FAST SHIPPING AND DELIVERY
- TENS OF THOUSANDS OF IN-STOCK ITEMS
- EQUIPMENT DEMOS
- HUNDREDS OF MANUFACTURERS SUPPORTED
- LEASING/MONTHLY RENTALS
- ITAR CERTIFIED SECURE ASSET SOLUTIONS

SERVICE CENTER REPAIRS

Experienced engineers and technicians on staff at our full-service, in-house repair center

*InstraView*SM REMOTE INSPECTION

Remotely inspect equipment before purchasing with our interactive website at www.instraview.com ↗

WE BUY USED EQUIPMENT

Sell your excess, underutilized, and idle used equipment. We also offer credit for buy-backs and trade-ins. www.artisanng.com/WeBuyEquipment ↗

LOOKING FOR MORE INFORMATION?

Visit us on the web at www.artisanng.com ↗ for more information on price quotations, drivers, technical specifications, manuals, and documentation

Contact us: (888) 88-SOURCE | sales@artisanng.com | www.artisanng.com