



## Artisan Technology Group is your source for quality new and certified-used/pre-owned equipment

- FAST SHIPPING AND DELIVERY
- TENS OF THOUSANDS OF IN-STOCK ITEMS
- EQUIPMENT DEMOS
- HUNDREDS OF MANUFACTURERS SUPPORTED
- LEASING/MONTHLY RENTALS
- ITAR CERTIFIED SECURE ASSET SOLUTIONS

### SERVICE CENTER REPAIRS

Experienced engineers and technicians on staff at our full-service, in-house repair center

### *InstraView*<sup>SM</sup> REMOTE INSPECTION

Remotely inspect equipment before purchasing with our interactive website at [www.instraview.com](http://www.instraview.com) ↗

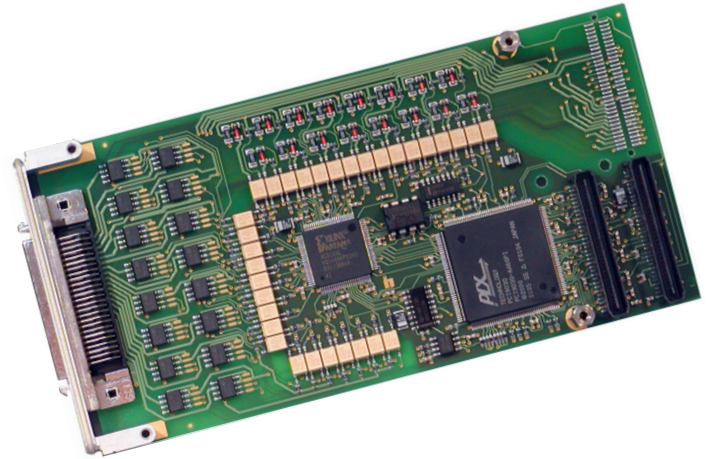
### WE BUY USED EQUIPMENT

Sell your excess, underutilized, and idle used equipment. We also offer credit for buy-backs and trade-ins. [www.artisanng.com/WeBuyEquipment](http://www.artisanng.com/WeBuyEquipment) ↗

### LOOKING FOR MORE INFORMATION?

Visit us on the web at [www.artisanng.com](http://www.artisanng.com) ↗ for more information on price quotations, drivers, technical specifications, manuals, and documentation

**Contact us:** (888) 88-SOURCE | [sales@artisanng.com](mailto:sales@artisanng.com) | [www.artisanng.com](http://www.artisanng.com)



# PMC-DIO-ETx

## PMC with 16 Digital Inputs and 16 Digital Outputs

### Features

- Standard single-width 32-bit PMC conforming to IEEE P1386.1
- PCI 2.1 compliant interface
- 16 interrupt generating digital inputs
- 24 V signal voltage for inputs
- Optocoupler for galvanic isolation
- All inputs isolated to each other in groups of four inputs
- Programmable electronic debounce circuit (7  $\mu$ s to 440 ms in steps of 7  $\mu$ s),
- 16 digital outputs, high side switches
- 24 V signal voltage, current per output 0.5 A
- Optocoupler for galvanic isolation
- Outputs are short-circuit protected
- Outputs are isolated to each other in groups of four outputs
- Outputs protected against thermal overload
- Watchdog timer resets all channels in case of trigger failure

The PMC-DIO-ETx is a standard single-width 32-bit PCI Mezzanine Card (PMC) with sixteen 24 V digital inputs galvanically isolated from the computer system by optocoupler. The inputs are also potential free to each other in groups of four inputs. A high performance input circuit ensures a defined switching point and polarization protection against confusing the pole. All inputs have a common electronic debounce circuit with a freely programmable debounce time. All inputs can generate an interrupt. The signal edge handling is programmable to interrupt on rising, falling or both edges of the input signal.

The PMC-DIO-ETx has 16 digital high side switches with galvanic isolation from the computer system by optocoupler. The outputs are also isolated against each other in groups of four outputs. All outputs are protected against short circuit and thermal overload. The output drivers are capable of driving 0.5 A continuous per channel. A hardware watchdog clears all outputs in case of trigger fail.

Two versions of the PMC are available: the PMC-DIO-EFT has front panel I/O; the PMC-DIO-ETB has I/O via P14.



# PMC-DIO-ETx PMC with 16 Digital Inputs and 16 Digital Outputs

## Specifications

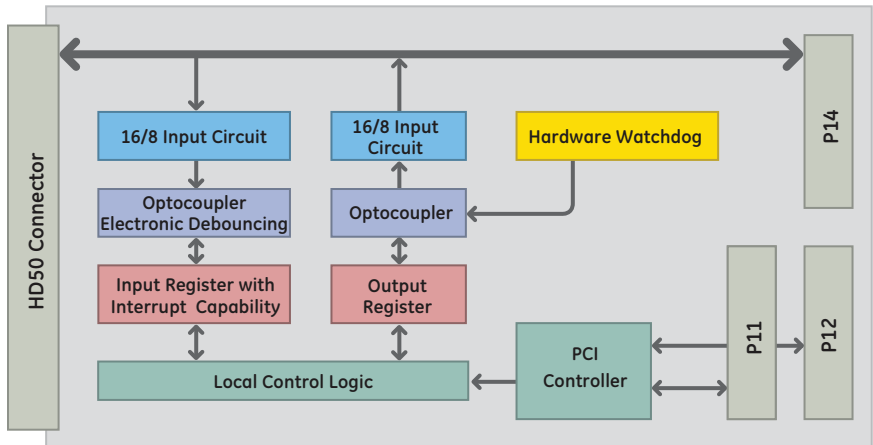
### Form Factor

- PMC

### Environmental

- Temperature
  - Operating: -40° to +85 °C
  - Storage: -40° to +125 °C
- Humidity: 5% to 95% non-condensing

## Block Diagram



## Ordering Information

<b>PMC-DIO-ETF</b>	PMC with 16 digital inputs, 16 digital outputs and front panel I/O
<b>PMC-DIO-ETB</b>	PMC with 16 digital inputs, 16 digital outputs and I/O via P14
<b>TCD842670</b>	Software support for VxWorks® operating system
<b>TCD862670</b>	Software support for Windows® NT 4.0 operating system
<b>TCD865670</b>	Software support for Windows® XP/ME/2000 operating system
<b>TCD872670</b>	Software support for LynxOS operating system
<b>TCD882670</b>	Software support for Linux® operating system
<b>TCD892670</b>	Software support for QNX 4.0 operating system
<b>TCD895670</b>	Software support for Neutrino QNX6 operating system

## About GE Fanuc Intelligent Platforms

GE Fanuc Intelligent Platforms is a leading global provider of embedded computing solutions for a wide range of industries and applications. Our comprehensive product offering includes many types of I/O, single board computers, high performance signal processors, fully integrated, rugged systems including flat panel displays, plus high speed networking and communications products. The company is headquartered in the U.S. and has design, manufacturing and support offices throughout the world. Whether you're looking for one of our standard products or a fully custom solution, GE Fanuc Intelligent Platforms has the breadth, experience and 24/7 support to deliver what you need. For more information, visit [www.gefanuc.com](http://www.gefanuc.com).

## GE Fanuc Intelligent Platforms Information Centers

Americas:  
1 800 322 3616 or 1 256 880 0444

Asia Pacific:  
+81 3 5544 3973

EMEA:  
Germany: +49 821 5034-0  
UK: + 44 1327 359444

## Additional Resources

For more information, please visit the GE Fanuc Intelligent Platforms web site at:

[www.gefanuc.com](http://www.gefanuc.com)



©2009 GE Fanuc Intelligent Platforms, Inc. All rights reserved.  
All other brands or names are property of their respective holders.  
Specifications are subject to change without notice.

01.09 GFA-1212



## Artisan Technology Group is your source for quality new and certified-used/pre-owned equipment

- FAST SHIPPING AND DELIVERY
- TENS OF THOUSANDS OF IN-STOCK ITEMS
- EQUIPMENT DEMOS
- HUNDREDS OF MANUFACTURERS SUPPORTED
- LEASING/MONTHLY RENTALS
- ITAR CERTIFIED SECURE ASSET SOLUTIONS

### SERVICE CENTER REPAIRS

Experienced engineers and technicians on staff at our full-service, in-house repair center

### *InstraView*<sup>SM</sup> REMOTE INSPECTION

Remotely inspect equipment before purchasing with our interactive website at [www.instraview.com](http://www.instraview.com) ↗

### WE BUY USED EQUIPMENT

Sell your excess, underutilized, and idle used equipment. We also offer credit for buy-backs and trade-ins. [www.artisanng.com/WeBuyEquipment](http://www.artisanng.com/WeBuyEquipment) ↗

### LOOKING FOR MORE INFORMATION?

Visit us on the web at [www.artisanng.com](http://www.artisanng.com) ↗ for more information on price quotations, drivers, technical specifications, manuals, and documentation

**Contact us:** (888) 88-SOURCE | [sales@artisanng.com](mailto:sales@artisanng.com) | [www.artisanng.com](http://www.artisanng.com)