



Artisan Technology Group is your source for quality new and certified-used/pre-owned equipment

- FAST SHIPPING AND DELIVERY
- TENS OF THOUSANDS OF IN-STOCK ITEMS
- EQUIPMENT DEMOS
- HUNDREDS OF MANUFACTURERS SUPPORTED
- LEASING/MONTHLY RENTALS
- ITAR CERTIFIED SECURE ASSET SOLUTIONS

SERVICE CENTER REPAIRS

Experienced engineers and technicians on staff at our full-service, in-house repair center

*InstraView*SM REMOTE INSPECTION

Remotely inspect equipment before purchasing with our interactive website at www.instraview.com ↗

WE BUY USED EQUIPMENT

Sell your excess, underutilized, and idle used equipment. We also offer credit for buy-backs and trade-ins. www.artisanng.com/WeBuyEquipment ↗

LOOKING FOR MORE INFORMATION?

Visit us on the web at www.artisanng.com ↗ for more information on price quotations, drivers, technical specifications, manuals, and documentation

Contact us: (888) 88-SOURCE | sales@artisanng.com | www.artisanng.com

Field Connections

2 Axis Servo Module
(M/N 57C422)

X and Y AXIS

Conn No.	Function	Wire Color	Term No.
1	Encoder Power Common	Wht	1
28	Encoder Power (from 5 Volt DC P/S)	Org (Blu/Wht)	2
9	Encoder Power Common	Blu (Wht-Org)	3
8	Encoder Power (to feedback encoder)	Wht (Red-Blu)	4
2	Feedback Encoder Channel A	Wht (Red-Grn)	5
21	Feedback Encoder Channel /A	Red (Grn)	6
3	Feedback Encoder Channel B	Wht (Red)	7
22	Feedback Encoder Channel /B	Red	8
4	Feedback Encoder Channel Z	Wht (Red-Org)	9
23	Feedback Encoder Channel /Z	Org	10
20	Encoder Power Common	Blk	11
27	Encoder Power (to Gearing Ref. encoder)	Blu (Blk-Wht)	12
5	Gearing Reference Encoder Channel A	Blk (wht)	13
24	Gearing Reference Encoder Channel /A	Blk (Red-Wht)	14
6	Gearing Reference Encoder Channel B	Wht (Blk-Grn)	15
25	Gearing Reference Encoder Channel /B	Grn	16
7	Gearing Reference Encoder Channel Z	Blu (Wht)	17
26	Gearing Reference Encoder Channel /Z	Blu	18
	no connection		19
	no connection		20
29	Drive Reference Power Supply (12/15 VDC)	Red (Wht)	21
30	Drive Reference Power Supply (-12/-15VDC)	Red (Wht-Blk)	22
10	Drive Reference Common	Blk (Wht-Org)	23
11	Drive Reference Output	Org (Blk-Wht)	24
12	Watchdog Output (+)	Blk (Brn)	25
31	Watchdog Output (-)	Red (Blk)	26
13	Home L/S (+)	Org (Blk)	27
32	Home L/S (-)	Org (Red)	28
14	Positive Overtravel L/S (+)	Blk (Wht-Grn)	29
33	Positive Overtravel L/S (-)	Wht (Blk)	30
15	Negative Overtravel L/S (+)	Grn (Blk)	31
34	Negative Overtravel L/S (-)	Grn (Wht)	32
16	Drive Fault Input (+)	Blu (Blk)	33
35	Drive Fault Input (-)	Blu (Brn)	34
17	Feedback Registration (+)	Blk (Red_Grn)	35
36	Feedback Registration (-)	Red (Blk-Grn)	36
18	Gearing Reference Registration (+)	Grn (Blk-Org)	37
37	Gearing Reference Registration (-)	Org (Blk-Grn)	38
	no connection		39
	no connection		40

Module Specifications

Ambient Conditions

- Storage temperature: -40°C - 85°C
- Operating temperature: 0°C - 60°C
- Humidity: 5-90% non-condensing

Power Dissipation

- 8.0 Watts average

Dimensions

- Height: 11.75 inches
- Width: 1.25 inches
- Depth: 7.375 inches

System Power Requirements

- +5 Volts: 1.6 Amps average
- +12 Volts: 10 mA per axis channel
- Signal type: Differential CMOS or TTL
- Signal level: 5 Volts
- Maximum frequency: 250 kHz/channel
- Output drive current: ± 2mA per encoder input

Registration Input Specifications

- Signal type: Electronic
- Maximum operating voltage: 24 Volts D-C
- Maximum ON current: 6 mA
- Transport delay: 50 microseconds

J-3726

Industrial
CONTROLS

RELIANCE
ELECTRIC

Module Specifications

Continued

Limit Switch Input Specifications

- Signal Type: Contact or electronic
- Maximum operating voltage: 24 Volts A-C or D-C
- Maximum ON current: 6 mA
- Input Filter: 30 Hz

Watchdog Output Specifications

- Signal type: Contact
- Signal level: 5-24 volts A-C or D-C
- Current rating: 1000 mA max

Drive Reference Specifications

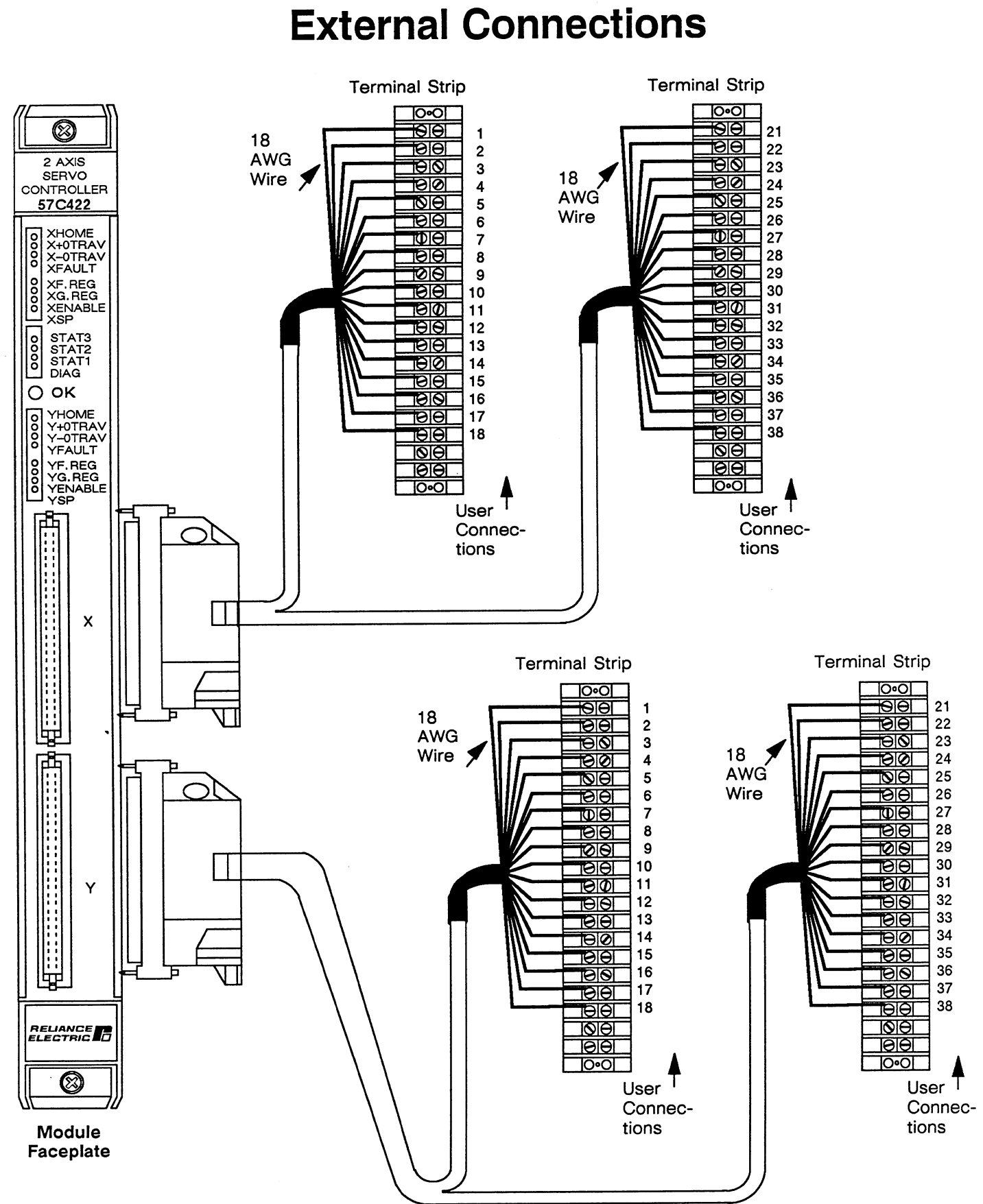
- Signal range: ± 10 volts into a 10K ohm load

External Encoder Power Supply

- Voltage: +5 VDC
- Current: 250 mA + encoder requirements
- Regulation: .1%

Drive Reference Power Supply Specifications

- Voltage: ± 12 to ± 15 VDC
- Current: 50 mA/reference
- Regulation: .1%



(For additional information, please refer to the 2 Axis Servo Module instruction manual, J-3642.)

Module Specifications

Continued

Limit Switch Input Specifications

- Signal Type: Contact or electronic
- Maximum operating voltage: 24 Volts A-C or D-C
- Maximum ON current: 6 mA
- Input Filter: 30 Hz

Watchdog Output Specifications

- Signal type: Contact
- Signal level: 5-24 volts A-C or D-C
- Current rating: 1000 mA max

Drive Reference Specifications

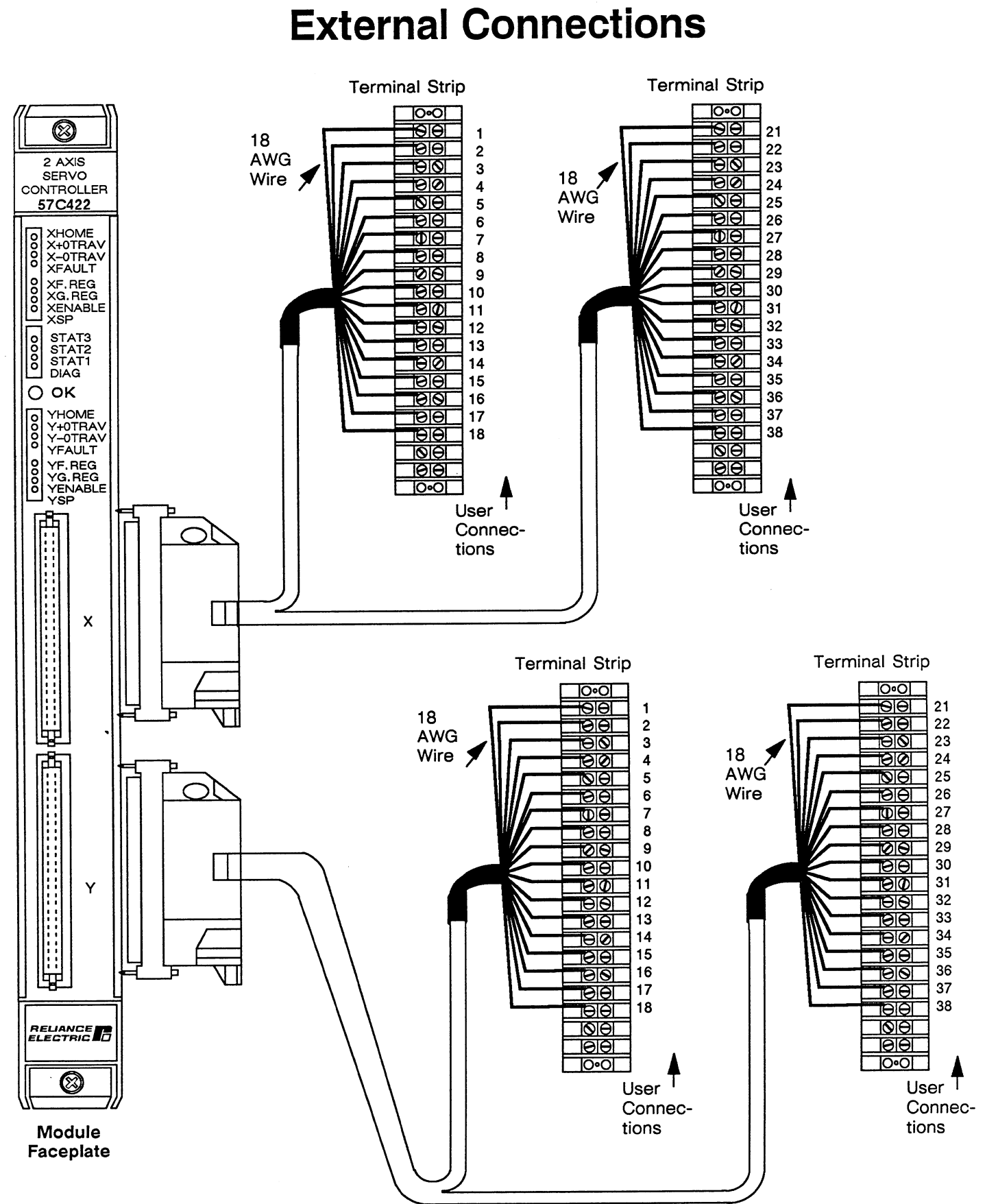
- Signal range: ± 10 volts into a 10K ohm load

External Encoder Power Supply

- Voltage: +5 VDC
- Current: 250 mA + encoder requirements
- Regulation: .1%

Drive Reference Power Supply Specifications

- Voltage: ± 12 to ± 15 VDC
- Current: 50 mA/reference
- Regulation: .1%



(For additional information, please refer to the 2 Axis Servo Module instruction manual, J-3642.)

Field Connections

2 Axis Servo Module
(M/N 57C422)

X and Y AXIS

Conn No.	Function	Wire Color	Term No.
1	Encoder Power Common	Wht	1
28	Encoder Power (from 5 Volt DC P/S)	Org (Blu/Wht)	2
9	Encoder Power Common	Blu (Wht-Org)	3
8	Encoder Power (to feedback encoder)	Wht (Red-Blu)	4
2	Feedback Encoder Channel A	Wht (Red-Grn)	5
21	Feedback Encoder Channel /A	Red (Grn)	6
3	Feedback Encoder Channel B	Wht (Red)	7
22	Feedback Encoder Channel /B	Red	8
4	Feedback Encoder Channel Z	Wht (Red-Org)	9
23	Feedback Encoder Channel /Z	Org	10
20	Encoder Power Common	Blk	11
27	Encoder Power (to Gearing Ref. encoder)	Blu (Blk-Wht)	12
5	Gearing Reference Encoder Channel A	Blk (wht)	13
24	Gearing Reference Encoder Channel /A	Blk (Red-Wht)	14
6	Gearing Reference Encoder Channel B	Wht (Blk-Grn)	15
25	Gearing Reference Encoder Channel /B	Grn	16
7	Gearing Reference Encoder Channel Z	Blu (Wht)	17
26	Gearing Reference Encoder Channel /Z	Blu	18
	no connection		19
	no connection		20
29	Drive Reference Power Supply (12/15 VDC)	Red (Wht)	21
30	Drive Reference Power Supply (-12/-15VDC)	Red (Wht-Blk)	22
10	Drive Reference Common	Blk (Wht-Org)	23
11	Drive Reference Output	Org (Blk-Wht)	24
12	Watchdog Output (+)	Blk (Brn)	25
31	Watchdog Output (-)	Red (Blk)	26
13	Home L/S (+)	Org (Blk)	27
32	Home L/S (-)	Org (Red)	28
14	Positive Overtravel L/S (+)	Blk (Wht-Grn)	29
33	Positive Overtravel L/S (-)	Wht (Blk)	30
15	Negative Overtravel L/S (+)	Grn (Blk)	31
34	Negative Overtravel L/S (-)	Grn (Wht)	32
16	Drive Fault Input (+)	Blu (Blk)	33
35	Drive Fault Input (-)	Blu (Brn)	34
17	Feedback Registration (+)	Blk (Red_Grn)	35
36	Feedback Registration (-)	Red (Blk-Grn)	36
18	Gearing Reference Registration (+)	Grn (Blk-Org)	37
37	Gearing Reference Registration (-)	Org (Blk-Grn)	38
	no connection		39
	no connection		40

Module Specifications

Ambient Conditions

- Storage temperature: -40°C - 85°C
- Operating temperature: 0°C - 60°C
- Humidity: 5-90% non-condensing

Power Dissipation

- 8.0 Watts average

Dimensions

- Height: 11.75 inches
- Width: 1.25 inches
- Depth: 7.375 inches

System Power Requirements

- +5 Volts: 1.6 Amps average
- +12 Volts: 10 mA per axis channel
- Signal type: Differential CMOS or TTL
- Signal level: 5 Volts
- Maximum frequency: 250 kHz/channel
- Output drive current: ± 2mA per encoder input

Registration Input Specifications

- Signal type: Electronic
- Maximum operating voltage: 24 Volts D-C
- Maximum ON current: 6 mA
- Transport delay: 50 microseconds

J-3726

Industrial
CONTROLS

RELIANCE
ELECTRIC



Artisan Technology Group is your source for quality new and certified-used/pre-owned equipment

- FAST SHIPPING AND DELIVERY
- TENS OF THOUSANDS OF IN-STOCK ITEMS
- EQUIPMENT DEMOS
- HUNDREDS OF MANUFACTURERS SUPPORTED
- LEASING/MONTHLY RENTALS
- ITAR CERTIFIED SECURE ASSET SOLUTIONS

SERVICE CENTER REPAIRS

Experienced engineers and technicians on staff at our full-service, in-house repair center

*InstraView*SM REMOTE INSPECTION

Remotely inspect equipment before purchasing with our interactive website at www.instraview.com ↗

WE BUY USED EQUIPMENT

Sell your excess, underutilized, and idle used equipment. We also offer credit for buy-backs and trade-ins. www.artisanng.com/WeBuyEquipment ↗

LOOKING FOR MORE INFORMATION?

Visit us on the web at www.artisanng.com ↗ for more information on price quotations, drivers, technical specifications, manuals, and documentation

Contact us: (888) 88-SOURCE | sales@artisanng.com | www.artisanng.com