



Artisan Technology Group is your source for quality new and certified-used/pre-owned equipment

- FAST SHIPPING AND DELIVERY
- TENS OF THOUSANDS OF IN-STOCK ITEMS
- EQUIPMENT DEMOS
- HUNDREDS OF MANUFACTURERS SUPPORTED
- LEASING/MONTHLY RENTALS
- ITAR CERTIFIED SECURE ASSET SOLUTIONS

SERVICE CENTER REPAIRS

Experienced engineers and technicians on staff at our full-service, in-house repair center

*InstraView*SM REMOTE INSPECTION

Remotely inspect equipment before purchasing with our interactive website at www.instraview.com ↗

WE BUY USED EQUIPMENT

Sell your excess, underutilized, and idle used equipment. We also offer credit for buy-backs and trade-ins. www.artisanng.com/WeBuyEquipment ↗

LOOKING FOR MORE INFORMATION?

Visit us on the web at www.artisanng.com ↗ for more information on price quotations, drivers, technical specifications, manuals, and documentation

Contact us: (888) 88-SOURCE | sales@artisanng.com | www.artisanng.com

Laminated Copper Busbars...

RITTAL FLEXIBAR®

High Amperage Conductor Solutions For:

- Busbar Systems
- Power Distribution
- UPS Systems
- AC/DC Drive Units
- Motor Controls
- Transformers

CE



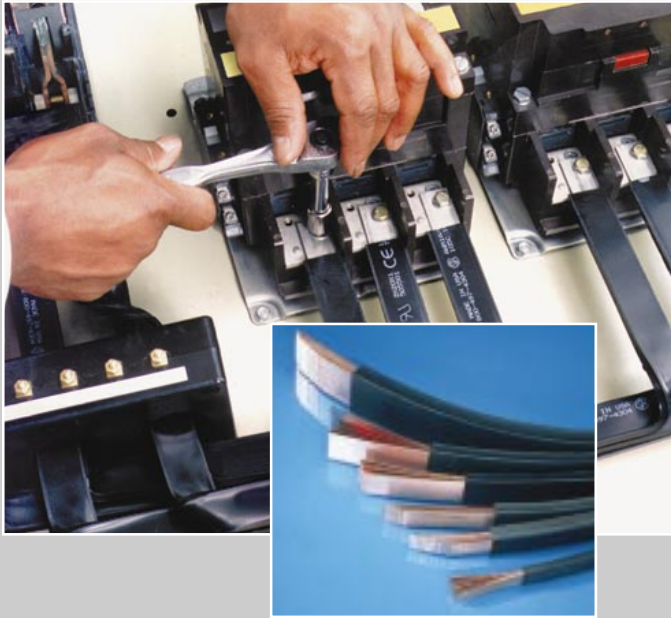
RU



Switch to perfection **RITTAL**

Flexible Laminated Copper Busbars...

STANDARD FLEXIBAR® SOLUTIONS



Multiple Advantages

Flexibar consists of laminated strips of pure electrolytic copper that slide smoothly within a protective PVC jacket. Flexibar can offer many advantages versus traditional wire and cable.

- Saves valuable panel space.
- Requires less assembly time.
- Eliminates large parallel wire runs.
- Requires no termination lugs.
- Requires less terminations for increased efficiency.
- Improves engineering and design flexibility.
- Lowers the total installed cost.



Multiple Applications

Rittal Flexibar is an ideal conductor for many types of Power Distribution applications:

- Busbar Systems
- Motor Control Centers
- Drive Systems
- Switchboards
- Transformers
- Panelboards
- Control Panels
- Power Supplies
- Electrical Machinery
- UPS Systems

Rittal Flexibar-Copper

Part No. SV	Description	Length	Max. Amps*
3565000	6 x 9 x 0.8 mm	2000 mm	250 A
3566000	6 x 13 x 0.5 mm	2000 mm	200 A
3567000	4 x 15.5 x 0.8 mm	2000 mm	300 A
3568000	6 x 15.5 x 0.8 mm	2000 mm	350 A
3569000	10 x 15.5 x 0.8 mm	2000 mm	450 A
3570000	5 x 20 x 1 mm	2000 mm	400 A
3571000	5 x 24 x 1 mm	2000 mm	450 A
3572000	10 x 24 x 1 mm	2000 mm	800 A
3573000	5 x 32 x 1 mm	2000 mm	550 A
3574000	10 x 32 x 1 mm	2000 mm	1000 A
3575000	5 x 40 x 1 mm	2000 mm	800 A
3576000	10 x 40 x 1 mm	2000 mm	1200 A
3577000	5 x 50 x 1 mm	2000 mm	900 A
3578000	10 x 50 x 1 mm	2000 mm	1400 A
3579000	10 x 63 x 1 mm	2000 mm	1600 A

* At +50°C temperature rise above ambient.

Rittal Flexibar-Tinned Copper**

Part No. SV	Description	Length	Max. Amps*
3565902	6 x 9 x 0.8 mm	2000 mm	250 A
3566902	6 x 13 x 0.5 mm	2000 mm	200 A
3567902	4 x 15.5 x 0.8 mm	2000 mm	300 A
3568902	6 x 15.5 x 0.8 mm	2000 mm	350 A
3569902	10 x 15.5 x 0.8 mm	2000 mm	450 A
3570903	5 x 20 x 1 mm	3000 mm	400 A
3571903	5 x 24 x 1 mm	3000 mm	450 A
3572903	10 x 24 x 1 mm	3000 mm	800 A
3573903	5 x 32 x 1 mm	3000 mm	550 A
3574903	10 x 32 x 1 mm	3000 mm	1000 A
3575903	5 x 40 x 1 mm	3000 mm	800 A
3576903	10 x 40 x 1 mm	3000 mm	1200 A
3577903	5 x 50 x 1 mm	3000 mm	900 A
3578903	10 x 50 x 1 mm	3000 mm	1400 A
3579903	10 x 63 x 1 mm	3000 mm	1600 A

* At +50°C temperature rise above ambient.

** Contact your local Rittal Representative concerning minimum purchase volumes.

Flexible Laminated Copper Busbar Accessories



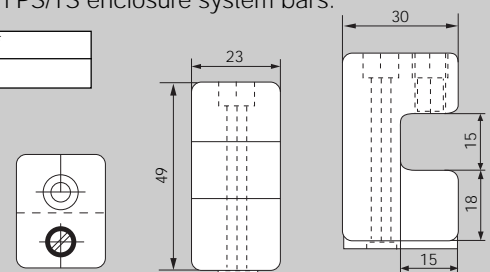
Universal Support

For installation and support of Flexibar 20 x 5 mm to 63 x 10 mm.

Material:

Fiberglass-reinforced, thermoplastic polyester (PBT). Includes screws and cage nuts for optional mounting on PS/TS enclosure system bars.

Part No. SV	Packs of
3079000	3



Designed For Your Application...

MADE-TO-ORDER FLEXIBAR®



Rittal can provide pre-formed Flexibar solutions made to your specifications. Simply provide Rittal with a CAD drawing or even just a sketch and we will generate drawings and specifications that you can verify before the order is received. Rittal made-to-order flexibar is great for:

- OEM machine and projects
- MRO applications
- Custom electrical connections

Advantages:

- Reduces assembly time.
- Requires less panel space than cable.
- Increases overall safety.
- Eliminates costly installation lugs.
- Gives designers more options.
- Requires no tooling.

Material:

Conductor: Tinned electrolytic copper

Insulation: Polyvinyl Chloride

Temperature Range: -30 to +105°C

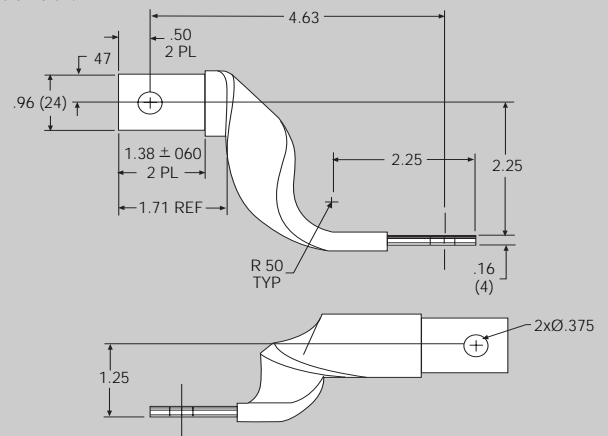
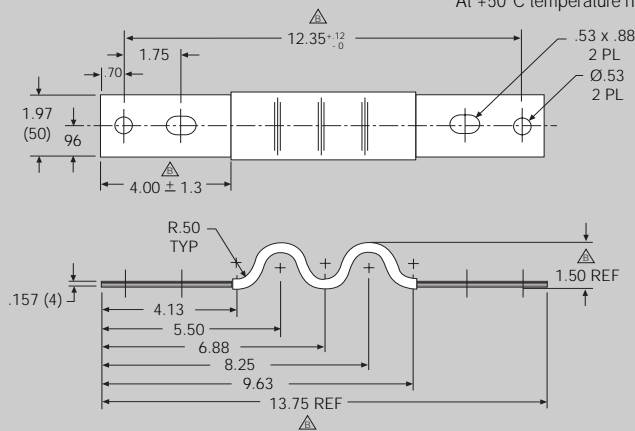
Self-extinguishing per UL 94 VO

Dielectric Resistance: 20 kV/mm



Flexibar-Tinned Copper		
MTO Part No. SV	Description	Max. Amps*
3565009	Made-to-order 6 x 9 x 0.8 mm Flexibar	250 A
3566009	Made-to-order 6 x 13 x 0.5 mm Flexibar	200 A
3567009	Made-to-order 4 x 15.5 x 0.8 mm Flexibar	300 A
3568009	Made-to-order 6 x 15.5 x 0.8 mm Flexibar	350 A
3569009	Made-to-order 10 x 15.5 x 0.8 mm Flexibar	450 A
3570009	Made-to-order 5 x 20 x 1 mm Flexibar	400 A
3571009	Made-to-order 5 x 24 x 1 mm Flexibar	450 A
3572009	Made-to-order 10 x 24 x 1 mm Flexibar	800 A
3573009	Made-to-order 5 x 32 x 1 mm Flexibar	550 A
3574009	Made-to-order 10 x 32 x 1 mm Flexibar	1000 A
3575009	Made-to-order 5 x 40 x 1 mm Flexibar	800 A
3576009	Made-to-order 10 x 40 x 1 mm Flexibar	1200 A
3577009	Made-to-order 5 x 50 x 1 mm Flexibar	900 A
3578009	Made-to-order 10 x 50 x 1 mm Flexibar	1400 A
3579009	Made-to-order 10 x 63 x 1 mm Flexibar	1600 A

* At +50°C temperature rise above ambient.



Rittal Flexibar Made-To-Order Form/RFQ

Fax To: 1-800-477-4003 Attention: Flexibar Order Team



Note: Drawing with dimensions must be supplied for Order/RFQ.

Name _____

Title _____

Company _____

Address _____

City _____ State _____ Zip _____

Fax _____

E-mail _____

MTO Flexibar Part Number _____

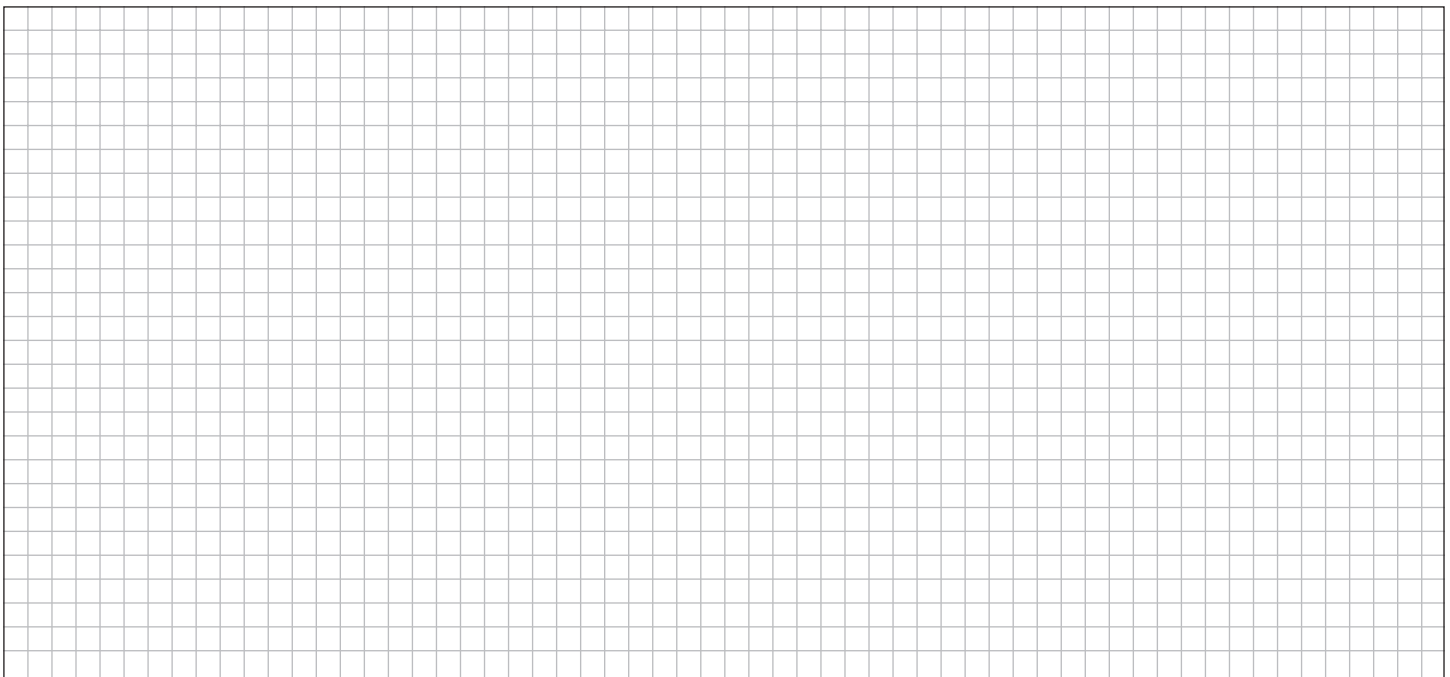
Quantity _____

Is CAD drawing available? Yes No

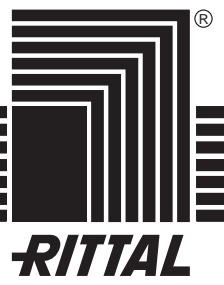
If yes — (Rittal will contact you to obtain)

If no, please sketch MTO piece required, including:

- All dimensions and views required to fabricate the part
- All holes and hole sizes
- Insulation removed sections with dimensions
- All bends and twists.



Rittal Corporation • One Rittal Place • Springfield, OH 45504 • Phone: (937) 399-0500 • Fax: (937) 390-5599 • Toll free: 1-800-477-4000
Email: rittal@rittal-corp.com • Internet: www.rittal-corp.com



Switch to perfection

RITTAL



Artisan Technology Group is your source for quality new and certified-used/pre-owned equipment

- FAST SHIPPING AND DELIVERY
- TENS OF THOUSANDS OF IN-STOCK ITEMS
- EQUIPMENT DEMOS
- HUNDREDS OF MANUFACTURERS SUPPORTED
- LEASING/MONTHLY RENTALS
- ITAR CERTIFIED SECURE ASSET SOLUTIONS

SERVICE CENTER REPAIRS

Experienced engineers and technicians on staff at our full-service, in-house repair center

*InstraView*SM REMOTE INSPECTION

Remotely inspect equipment before purchasing with our interactive website at www.instraview.com ↗

WE BUY USED EQUIPMENT

Sell your excess, underutilized, and idle used equipment. We also offer credit for buy-backs and trade-ins. www.artisanng.com/WeBuyEquipment ↗

LOOKING FOR MORE INFORMATION?

Visit us on the web at www.artisanng.com ↗ for more information on price quotations, drivers, technical specifications, manuals, and documentation

Contact us: (888) 88-SOURCE | sales@artisanng.com | www.artisanng.com