



Artisan Technology Group is your source for quality new and certified-used/pre-owned equipment

- FAST SHIPPING AND DELIVERY
- TENS OF THOUSANDS OF IN-STOCK ITEMS
- EQUIPMENT DEMOS
- HUNDREDS OF MANUFACTURERS SUPPORTED
- LEASING/MONTHLY RENTALS
- ITAR CERTIFIED SECURE ASSET SOLUTIONS

SERVICE CENTER REPAIRS

Experienced engineers and technicians on staff at our full-service, in-house repair center

*InstraView*SM REMOTE INSPECTION

Remotely inspect equipment before purchasing with our interactive website at www.instraview.com ↗

WE BUY USED EQUIPMENT

Sell your excess, underutilized, and idle used equipment. We also offer credit for buy-backs and trade-ins. www.artisanng.com/WeBuyEquipment ↗

LOOKING FOR MORE INFORMATION?

Visit us on the web at www.artisanng.com ↗ for more information on price quotations, drivers, technical specifications, manuals, and documentation

Contact us: (888) 88-SOURCE | sales@artisanng.com | www.artisanng.com



DCPMC

Conduction-cooled PMC Carrier

Features

- Dual PMC sites
- 32-bit 33 MHz PCI bus
- 21152 PCI/PCI Bridge
- Conduction-cooled or ruggedized
- Direct I/O bus between each PMC site

Specifications

Temperature

- Operating: -40° C to 85° C ambient
- Storage: -40° C to 85° C

Humidity

- 10% to 95% (non-condensing)

Cooling

- Conduction-cooled through heat frame

Power Requirements

- +3.3V (+5V and ±12V determined by installed PMC modules)

Form Factor

- 6U

Dimensions

- Height: 233 mm (9.2 in.)
- Length: 160 mm (6.2 in.)

Warranty

- 2 year warranty



DCPMC is a Dual Compact PCI Mezzanine Card (DCPMC)—a conduction-cooled carrier card in a 6U form factor that can accommodate two PMC modules for adding or increasing I/O capability to a system. It can connect two PMC modules to any standard CompactPCI backplane through a 32-bit 33MHz cPCI bus. The DCPMC implements the 21152 PCI/PCI Bridge to data transactions from the PCI bus (system host) to two standard PMC sites.

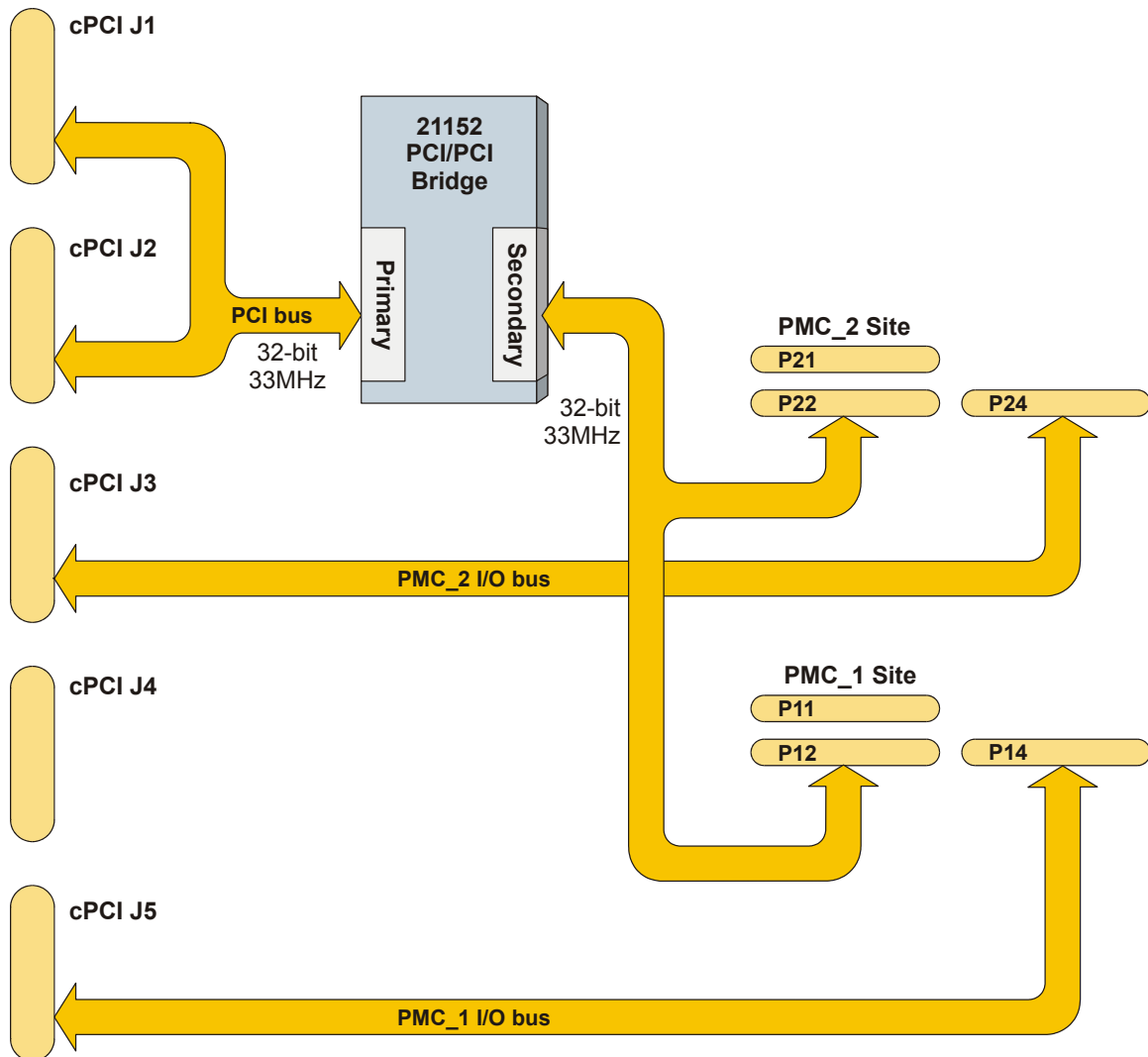
The DCPMC implements a heat frame to conduct heat from the board and PMC modules to a conduction-cooled system chassis.

PCI signals received through the CompactPCI connectors, cPCI_J1 and cPCI_J2, are routed to the 21152 PCI/PCI Bridge primary PCI interface and are transferred to the secondary PCI interface. From the 21152 secondary interface, the PCI signals and data are routed to the PMC_1 and PMC_2 PMC sites. Each PMC site can send I/O data directly to CompactPCI backplane through its I/O connector (PMC_P14 and PMC_P24) and PMC I/O bus



DCPMC

Block Diagram



Corporate Headquarters
2400 Louisiana Blvd. NE, #5-600
Albuquerque, NM 87110-4316
Tel 505.875.0600 Fax 505.875.0400
Email info@sbs.com

European Headquarters
Memminger Str. 14
D-86159 Augsburg, Germany
Tel +49-821-5034-0 Fax +49-821-5034-119
Email aug-info@sbs.com



For additional contact information, please visit our web site at www.sbs.com

Specifications subject to change without notice. All trademarks and logos are property of their respective owners.
©2004 SBS Technologies, Inc. 20040511

Artisan Technology Group - Quality Instrumentation ... Guaranteed | (888) 88-SOURCE | www.artisanTG.com



Artisan Technology Group is your source for quality new and certified-used/pre-owned equipment

- FAST SHIPPING AND DELIVERY
- TENS OF THOUSANDS OF IN-STOCK ITEMS
- EQUIPMENT DEMOS
- HUNDREDS OF MANUFACTURERS SUPPORTED
- LEASING/MONTHLY RENTALS
- ITAR CERTIFIED SECURE ASSET SOLUTIONS

SERVICE CENTER REPAIRS

Experienced engineers and technicians on staff at our full-service, in-house repair center

*InstraView*SM REMOTE INSPECTION

Remotely inspect equipment before purchasing with our interactive website at www.instraview.com ↗

WE BUY USED EQUIPMENT

Sell your excess, underutilized, and idle used equipment. We also offer credit for buy-backs and trade-ins. www.artisanng.com/WeBuyEquipment ↗

LOOKING FOR MORE INFORMATION?

Visit us on the web at www.artisanng.com ↗ for more information on price quotations, drivers, technical specifications, manuals, and documentation

Contact us: (888) 88-SOURCE | sales@artisanng.com | www.artisanng.com