



Artisan Technology Group is your source for quality new and certified-used/pre-owned equipment

- FAST SHIPPING AND DELIVERY
- TENS OF THOUSANDS OF IN-STOCK ITEMS
- EQUIPMENT DEMOS
- HUNDREDS OF MANUFACTURERS SUPPORTED
- LEASING/MONTHLY RENTALS
- ITAR CERTIFIED SECURE ASSET SOLUTIONS

SERVICE CENTER REPAIRS

Experienced engineers and technicians on staff at our full-service, in-house repair center

*InstraView*SM REMOTE INSPECTION

Remotely inspect equipment before purchasing with our interactive website at www.instraview.com ↗

WE BUY USED EQUIPMENT

Sell your excess, underutilized, and idle used equipment. We also offer credit for buy-backs and trade-ins. www.artisanng.com/WeBuyEquipment ↗

LOOKING FOR MORE INFORMATION?

Visit us on the web at www.artisanng.com ↗ for more information on price quotations, drivers, technical specifications, manuals, and documentation

Contact us: (888) 88-SOURCE | sales@artisanng.com | www.artisanng.com



.....
Barracuda 2LP Disc Drive
.....

ST31250N/ND, ST31250W/WD,
.....

ST31250WC/DC, ST32550N/ND,
.....

ST32550W/WD, ST32550WC/DC
.....

Product Manual, Volume 1
.....

.....
Barracuda 2LP Disc Drive
.....

ST31250N/ND, ST31250W/WD,
.....

ST31250WC/DC, ST32550N/ND,
.....

ST32550W/WD, ST32550WC/DC
.....

Product Manual, Volume 1
.....



© 1996 Seagate Technology, Inc. All rights reserved
Publication number: 83328930, Rev. D
January 1996

Seagate®, Seagate Technology®, and the Seagate logo are registered trademarks of Seagate Technology, Inc. Barracuda™ is a trademark of Seagate Technology, Inc. Other product names are registered trademarks or trademarks of their owners.

Seagate reserves the right to change, without notice, product offerings or specifications. No part of this publication may be reproduced in any form without written permission from Seagate Technology, Inc.

Revision status summary sheet

Revision	Date	Writer/Engineer	Sheets Affected
A	7/14/94	L. Newman/J. Olson	All
B	9/21/94	L. Newman/J. Olson	36, 37, 43, 51, 57, 61, 64, 66
C	3/20/95	L. Newman/J. Olson	1, 9, 12, 14, 24, 25, 26, 27, 28, 29, 33, 34, 35, 36, 39, 41, 42, 47, 48, 50, 52, 55, 57, 58, 59, 60, 61, 62, 63, 64, 66, 68, 69, 70, 71, 73, 80, 82
D	1/9/96	L. Newman/J. Olson	3, 18, 36, 39, 40, 41, 48, 50, 51, 53, 54, 57, 65, 72

Note. Product Manual 83328930 is Volume 1 of a two-volume document with the SCSI interface information in the *Volume 2 SCSI-2 Interface Product Manual*, Part Number 77738479.

Contents

1.0	Scope	1
2.0	Applicable standard and reference documentation	3
2.1	Standards	3
2.2	Applicable reference documents	3
3.0	General description	5
4.0	Standard features	7
4.1	Performance	7
4.1.1	Reliability	7
4.2	Unformatted and formatted capacities	8
4.3	Options	8
4.4	Installation	9
5.0	Performance characteristics	11
5.1	Internal drive characteristics	11
5.2	SCSI seek performance characteristics	11
5.2.1	Seek time	13
5.2.2	Format drive command execution time	13
5.3	General performance characteristics	14
5.4	Start/stop time	15
5.5	Prefetch/multi-segmented cache control	15
5.6	Caching write data	16
5.7	Synchronized spindle operation	17
6.0	Reliability specifications	21
6.1	Error rates	21
6.1.1	Environmental interference	21
6.1.2	Write errors	21
6.1.3	Seek errors	22
6.2	Reliability and service	22
6.2.1	Mean time between failures (MTBF)	22
6.2.2	Air flow	22
6.2.3	Preventive maintenance	30
6.2.4	Service life	30
6.2.5	Service philosophy	30
6.2.6	Installation	30
6.2.7	Service tools	30
6.2.8	Hot plugging Barracuda 2LP disc drives	30

7.0 Physical/electrical specifications	33
7.1 AC power requirements	33
7.2 DC power requirements	33
7.2.1 Conducted noise immunity	34
7.2.2 Power sequencing	34
7.2.3 12V current profile	35
7.3 Heat/power dissipation	36
7.4 Environmental limits	36
7.4.1 Temperature	36
7.4.2 Relative humidity	36
7.4.3 Effective altitude (sea level)	37
7.4.4 Shock and vibration	37
7.4.5 Air cleanliness	38
7.4.6 Acoustics	38
7.5 Electromagnetic compatibility	38
7.6 Mechanical specifications	39
7.6.1 Drive orientation	42
7.6.2 Cooling	42
7.6.3 Drive mounting	42
8.0 Media characteristics	43
8.1 Media description	43
9.0 Defect and error management	45
9.1 Defects and errors	45
10.0 Option/configuration headers	47
10.1 Drive ID/option select headers	47
10.1.1 ST31250N/ND and ST32550N/ND configuration	47
10.1.2 ST31250W/WD and ST32550W/WD configuration	50
10.1.3 ST31250WC/DC and ST32550WC/DC configuration	53
10.2 Synchronized spindles interface	55
10.2.1 Electrical description	55
10.3 Grounding	57
11.0 Interface requirements	59
11.1 General description	59
11.2 SCSI interface messages supported	59
11.3 SCSI interface commands supported	60
11.3.1 Inquiry data	62
11.3.2 Mode sense data	63
11.4 SCSI bus conditions and miscellaneous features supported	66

11.5 Synchronous data transfer	67
11.5.1 Synchronous data transfer periods supported	67
11.5.2 REQ/ACK offset	67
11.6 DC cable and connector	68
11.7 SCSI physical interface	68
11.7.1 Physical characteristics	70
11.7.2 Connector requirements	71
11.7.3 Electrical description	72
11.8 SCSI non-wide physical interface	76
11.9 SCSI wide physical interface	79
11.10 SCSI single-connector attachment (SCA) physical interface	82
Index	87

Figures

Figure 1. Barracuda 2LP disc drive (ST32550N drive shown)	1
Figure 2. Barracuda 2LP disc drive (exploded view)	5
Figure 3. ASA I OEM thermal calibration	13
Figure 4. Synchronized drive interconnect diagram	17
Figure 5. Synchronized reference signal characteristics	18
Figure 6. Air flow pattern (ST32550N drive shown)	23
Figure 7. WYGX temperature measurement locations	24
Figure 8. HYHX temperature measurement locations	25
Figure 9. JYHX temperature measurement locations	26
Figure 10. KYHX temperature measurement locations	27
Figure 11. ZYHX temperature measurement locations	28
Figure 12. PYJX temperature measurement locations	29
Figure 13. Temperature measurement location (ST32550N shown)	29
Figure 14. Barracuda 2LP drives typical +12V current profile	35
Figure 15. ST31250N/ND and ST32550N/ND mounting configuration dimensions	39
Figure 16. ST31250W/WD and ST32550W/WD mounting configuration dimensions	40
Figure 17. ST31250WC/DC and ST32550WC/DC mounting configuration dimensions	41
Figure 18. Recommended mounting	42
Figure 19. ST31250N/ND and ST32550N/ND jumper connectors	47
Figure 20. ST31250W/WD and ST32550W/WD jumper connectors	50
Figure 21. ST31250WC/DC and ST32550WC/DC jumper connectors	53
Figure 22. SCSI reference index signal driver/receiver combination	55
Figure 23. ST31250N/ND and ST32550N/ND configuration select header	56
Figure 24. ST31250W/WD and ST32550W/WD configuration select header	56

Figure 25. ST31250WC/DC and ST32550WC/DC configuration select header	57
Figure 26. ST31250N/ND and ST32550N/ND physical interface	68
Figure 27. ST31250W/WD and ST32550W/WD physical interface	69
Figure 28. ST31250WC/DC and ST32550WC/DC physical interface	69
Figure 29. Single-ended transmitters and receivers	73
Figure 30. Typical differential I/O line transmitter/receiver and terminators	74
Figure 31. Non-shielded SCSI device connector	76
Figure 32. Wide SCSI device connector	79
Figure 33. Non-shielded, 80-pin I/O and DC power single-connector attachment (SCA)	82

Tables

Table 1. SCSI interface messages supported	59
Table 2. Supported commands	60
Table 3. Barracuda 2LP family drive inquiry data–ASA I	62
Table 4. Barracuda 2LP family drive inquiry data–ASA II	62
Table 5. Mode sense data, ST31250 default values–ASA I (SCSI-1 implementation)	63
Table 6. Mode sense data, ST32550 default values–ASA I (SCSI-1 implementation)	63
Table 7. Mode sense data, ST31250 default values–ASA I (SCSI-2 implementation)	64
Table 8. Mode sense data, ST32550 default values–ASA I (SCSI-2 implementation)	64
Table 9. Mode sense data, ST31250 default values–ASA II (SCSI-2 implementation)	65
Table 10. Mode sense data, ST32550 default values–ASA II (SCSI-2 implementation)	65
Table 11. SCSI bus conditions and other miscellaneous features	66
Table 12. Synchronous data transfer periods	67
Table 13. Mating connector parts	68
Table 14. Single-ended cable pin assignments for ST31250N and ST32550N drives	77
Table 15. Differential cable pin assignments for ST31250ND and ST32550ND drives	78
Table 16. Single-ended contact assignments for ST31250W and ST32550W drives	80
Table 17. Differential contact assignments for ST31250WD and ST32550WD drives	81
Table 18. SCA contact assignments for ST31250WC and ST32550WC drives	83
Table 19. SCA contact assignments for ST31250DC and ST32550DC drives	84
Table 20. Disc drive SCSI timing	85

1.0

Scope

This manual describes Seagate Technology®, Inc. Barracuda™ 2LP (low profile) disc drives.

Barracuda drives support the small computer system interface-2 (SCSI-2) as described in the ANSI SCSI and SCSI-2 interface specifications to the extent described in this manual. The *SCSI-2 Interface Product Manual* (part number 77738479) describes general SCSI interface characteristics of this and other families of Seagate drives.

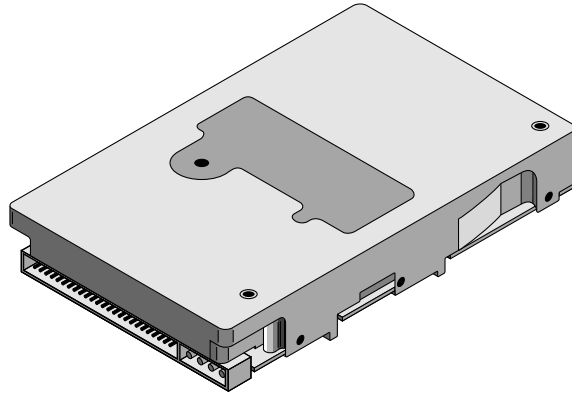


Figure 1. Barracuda 2LP disc drive (ST32550N drive shown)

2.0 Applicable standard and reference documentation

Seagate takes all reasonable steps to ensure that its products are certifiable to currently accepted standards. Typical applications of these disc drives include customer packaging and subsystem design.

Safety agencies conditionally certify component parts, such as the Barracuda disc drive, based on their final acceptability in the end-use product. The subsystem designer is responsible for meeting these conditions of acceptability in obtaining safety/regulatory agency compliance in their end-use product and certifying where required by law.

2.1 Standards

The Barracuda disc drive is a UL recognized component per UL1950, CSA certified to CSA C22.2 No. 950-M89, and VDE certified to VDE 0805 and EN60950.

If this model has the CE Marking, it complies with the European Union requirements of the Electromagnetic Compatibility Directive 89/336/EEC of 03 May 1989 as amended by Directive 92/31/EEC of 28 April 1992 and Directive 93/68/EEC of 22 July 1993.

Seagate uses an independent laboratory to confirm compliance to the above directives. Drives are tested in representative systems for typical applications. The selected system represents the most popular characteristics for test platforms. The system configurations include:

- 486, Pentium, and PowerPC Microprocessors
- 3.5-inch floppy disc drive
- Keyboard
- Monitor/display

Although the test system with this Seagate model complies to the directives, we cannot guarantee that all systems will comply. The computer manufacturer or system integrator shall confirm EMC compliance and provide CE Marking for their product.

The Barracuda disc drive is supplied as a component part. It is the responsibility of the subsystem designer to meet EMC/regulatory requirements. Engineering test characterizations of radiated emissions are available from the Seagate safety department.

2.2 Applicable reference documents

Barracuda 2LP Installation Guide

Seagate part number: 83328920

SCSI-2 Interface Product Manual (volume 2)

Seagate part number: 77738479

ANSI small computer system interface (SCSI) documents

ANSI X3.131-1986 (SCSI-1)

X3T9.2/86-109 Rev. 10H (SCSI-2)

X3T9.2/91-010 Rev. 10 (SCSI-3) Parallel Interface

3.0 General description

Barracuda drives are low-cost, high-performance, random-access storage devices designed to meet the needs of the original equipment manufacturer (OEM) marketplace.

The Barracuda drive's interface supports disconnect/reconnect, multiple initiators, self-configuring host software, and automatic features that relieve the host from knowing the physical characteristics of the targets (logical block addressing is used).

The head and disc assembly (HDA) is sealed at the factory. Air circulates within the HDA through a non-replaceable filter to maintain a contamination-free HDA environment.

Refer to Figure 2 for an exploded view of the drive. This exploded view is for information only—never disassemble the HDA and do not attempt to service items in the sealed enclosure (heads, media, actuator, etc.) as this requires special facilities. The drive contains no replaceable parts. Opening the HDA voids your warranty.

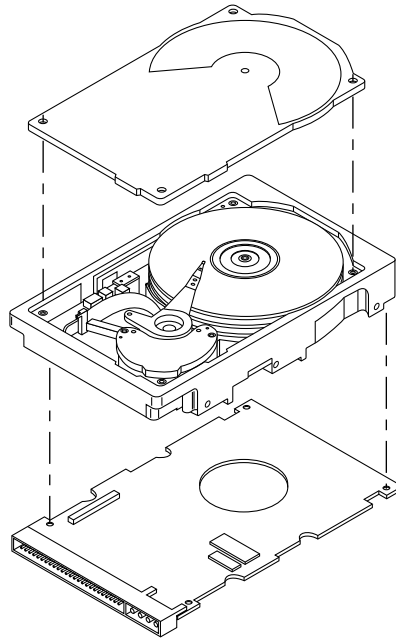


Figure 2. Barracuda 2LP disc drive (exploded view)

Barracuda drives use a dedicated landing zone at the innermost radius of the media to eliminate the possibility of destroying or degrading data by landing in the data zone. The drive automatically goes to the landing zone when the power is removed.

An automatic shipping lock prevents potential damage to the heads and discs. The shipping lock disengages when power is applied to the drive and the head load process begins.

Barracuda drives decode track 0 location data from the dedicated servo surface to eliminate mechanical transducer adjustments and related reliability concerns.

A high-performance actuator assembly with a low-inertia, balanced, patented, straight-arm design provides excellent performance with minimal power dissipation.

4.0 Standard features

Barracuda 2LP drives have the following standard features:

- Integrated SCSI controller
- Single-ended or differential SCSI drivers and receivers
- Asynchronous and synchronous data-transfer protocols
- Firmware downloadable using a SCSI interface
- Selectable sector size from 180 to 4,096 bytes per sector
- Programmable sector-reallocation scheme
- Flawed sector reallocation at format time
- Programmable auto-write and auto-read reallocation
- Reallocation of defects on command (post format)
- 96-bit Reed-Solomon error-correction code
- Sealed head and disc assembly (HDA)
- No preventive maintenance or adjustments required
- Dedicated head-landing zone
- Automatic shipping lock
- Automatic thermal compensation
- Embedded Grey Code track address to eliminate seek errors
- Self-diagnostics performed at power-on
- 1:1 interleave
- Zone bit recording (ZBR)
- Vertical, horizontal, or top-down mounting
- Dynamic spindle brake
- Active IC terminators (N/W models only)
- Synchronous spindle capability
- 512 Kbyte data buffer (see Section 5.5)
- Low audible noise for office environment
- Low power consumption

4.1 Performance

- Programmable multi-segmentable cache buffer
- 7,200 RPM spindle; average latency = 4.17 msec
- Command queuing of up to 64 commands
- Background processing of queue
- Supports start and stop commands
- Provides synchronized spindle capability
- Adaptive seek velocity; improved seek performance

4.1.1 Reliability

- 800,000 hour MTBF
- LSI circuitry
- Balanced low-mass rotary voice-coil actuator

4.2 Unformatted and formatted capacities

Standard OEM models are formatted to have 512-byte sectors.

Barracuda 2LP drives have nine (9) spare sectors per cylinder and one (1) spare cylinder per unit.

	Formatted	Unformatted
ST31250	1,020.9 Mbytes	1,205.3 Mbytes
ST32550	2,147.4 Mbytes	2,541.3 Mbytes

Users having the necessary equipment may modify the data block size before issuing a format command to obtain different formatted capacities. User-available capacity also depends on the spare reallocation scheme selected. See the Mode Select command and the Format command in the *SCSI-2 Interface Product Manual* (part number 77738479).

4.3 Options

The capacity shown in Section 4.2 is normally provided. Other capacities can be ordered depending on the sparing scheme and sector size requested.

The following options are incorporated at the time of production or are available separately.

- Front panel (green lens), part number 73497151
The standard front panel is black plastic. You may order other colors. Each panel has a single rectangular green LED indicator lens that, when glowing, indicates the drive is selected.
- *Barracuda 2LP Installation Guide*, part number 83328920
This manual provides basic installation information for persons not familiar with the product. It also includes information on obtaining technical support and service for the drive.
- SCSI interface terminating resistors (N/W models only, enabled by jumper)
To enable internal drive termination, install a jumper on J1 pins 5 and 6. Refer to Section 10.1.
- Single-unit shipping pack kit
The drive is shipped in bulk packaging to provide maximum protection against transit damage. Units shipped individually require additional protection as provided by the single-unit shipping pack.
- Adapter accessory frame kit, part number 75790701
This kit contains a frame, which allows a 3.5-inch drive to be mounted in a 5.25-inch drive bay. It includes mounting hardware, front panel with a green lens, an LED with cable that connects to the remote LED connector, and installation instructions.

4.4 Installation

For option jumper locations and definitions refer to Section 10.1. Drive default mode parameters are not normally needed for installation. Refer to Section 11.3.2 for default mode parameters if you need them.

- Ensure that the SCSI ID of the drive is not the same as the host adapter.
- If multiple devices are on the bus, set the drive's SCSI ID to one that is not presently used by other devices on the bus.
- If the drive is the only device on the bus, attach it to the end of the SCSI bus cable. Internal termination is available on ST31250N, ST31250W, ST32550N, and ST32550W drives by enabling this feature with a jumper (see Section 10.1).

External terminators are required for ST31250ND, ST31250WD, ST31250WC, ST31250DC, ST32550ND, ST32550WD, ST32550WC, and ST32550DC drives. These external terminators must be provided by the user, systems integrator, or host equipment manufacturer.

- If you attach the drive to a bus that contains other devices, and the new drive is not attached to the end of the bus, remove termination from the new drive.
- Set all appropriate option jumpers prior to applying power to the drive. If you change jumpers after applying power, recycle the drive's power to make the new settings effective.

Formatting

- It is not necessary to low-level format this drive. The drive is shipped from the factory low-level formatted in 512-byte sectors.
- Reformat the drive if:
 - a. You select a different sector size.
 - b. You select a different spare-sector allocation scheme.

5.0 Performance characteristics

This section provides performance-related characteristics and features of Barracuda 2LP drives.

5.1 Internal drive characteristics

	ST31250	ST32550
Drive capacity, Mbytes unformatted	1,205.3	2,541.3
Read/write data heads, maximum (physical)	5	11
Bytes per track, average bytes	64,160	64,160
Bytes per surface, Mbytes unformatted	232.4	231.03
Cylinders/tracks per surface, user accessible	3,711	3,510
Tracks per inch	4,048	4,048
Bits per inch	73,820	72,680
Servo heads	1	1
Internal data rate per physical head, Mbits/sec, variable with zone	47.5 to 72.0	49.4 to 72.0
Disc rotation speed	7,200 ± 0.5%	7,200 ± 0.5%
Average rotational latency, msec	4.17	4.17

5.2 SCSI seek performance characteristics

This section first describes the thermal calibration algorithms used by ASA I and ASA II download code. Section 5.2.1 provides actual seek times and section 5.2.2 provides drive format execution times.

Refer to Table 22 in Section 11.10 and to the *SCSI-2 Interface Product Manual* (part number 77738479) for additional timing details.

ASA I thermal calibration

All performance characteristics assume that automatic adaptive thermal compensation is not in process when the drive receives the SCSI command. Automatic adaptive thermal compensation will not interrupt an active SCSI command. If adaptive thermal compensation is in process when a SCSI command is received, the command is queued until compensation completes. When compensation completes for the head, the first queued SCSI command executes, and the drive continues compensation for the remaining heads.

The above procedure continues until compensation for all heads has completed, or until 10 minutes have elapsed. The drive initiates an automatic adaptive thermal compensation cycle once on power-up before completing its initialization sequence, once after 1 minute from the end of initialization, and then once approximately every 10 minutes. Automatic thermal compensation occurs at other times but should be transparent to the user (e.g.,

during format, at Re-Zero command, at spindle-up, during read-error recovery, and during reassign-block functions). You can use the Re-Zero command to reset the thermal compensation timer to let the host know when the interruption for thermal compensation will occur.

ASA II thermal calibration

At power up and following a SCSI reset, the drive calibrates the heads using the SCSI Rezero Unit command before processing read and write commands. The drive then delays a fixed period of time (D) before performing any additional thermal calibrations. This ensures a specific time interval when no thermal calibration interruptions will occur.

After the delay interval (D) expires, a single head thermal calibration (t-cal) is scheduled every N1 seconds. Refer to the equation below.

$$N1 = (T - D) / (2 * H)$$

T = 600 seconds (the maximum allowable thermal calibration period for any single head)

D = 300 seconds (period after the power-up/reset calibration before initiating subsequent thermal calibrations)

H = Number of heads in the drive

After the drive has cycled once through all of the heads (H) at the N1 time interval, the scheduling of single head thermal calibrations switches to an N2 time interval. Refer to the equation below.

$$N2 = T / (2 * H)$$

When a single head thermal calibration is scheduled, the drive attempts to find an idle period of 25 to 50 milliseconds prior to performing the thermal calibration. If the thermal calibration has not been performed after another N1 or N2 seconds elapse (whichever is the current time interval), the drive forces a thermal calibration to occur at the next command boundary (even during a read lookahead sequence), and immediately restarts the N2 or N2 second timer—this guarantees that no head will remain uncalibrated for more than T seconds and that no thermal calibrations will occur closer together in time than approximately every N1 or N2 seconds.

Any thermal calibration performed during the standard retry sequence will be limited to the misaligned head, and will be disabled if the host has selected a retry count of zero.

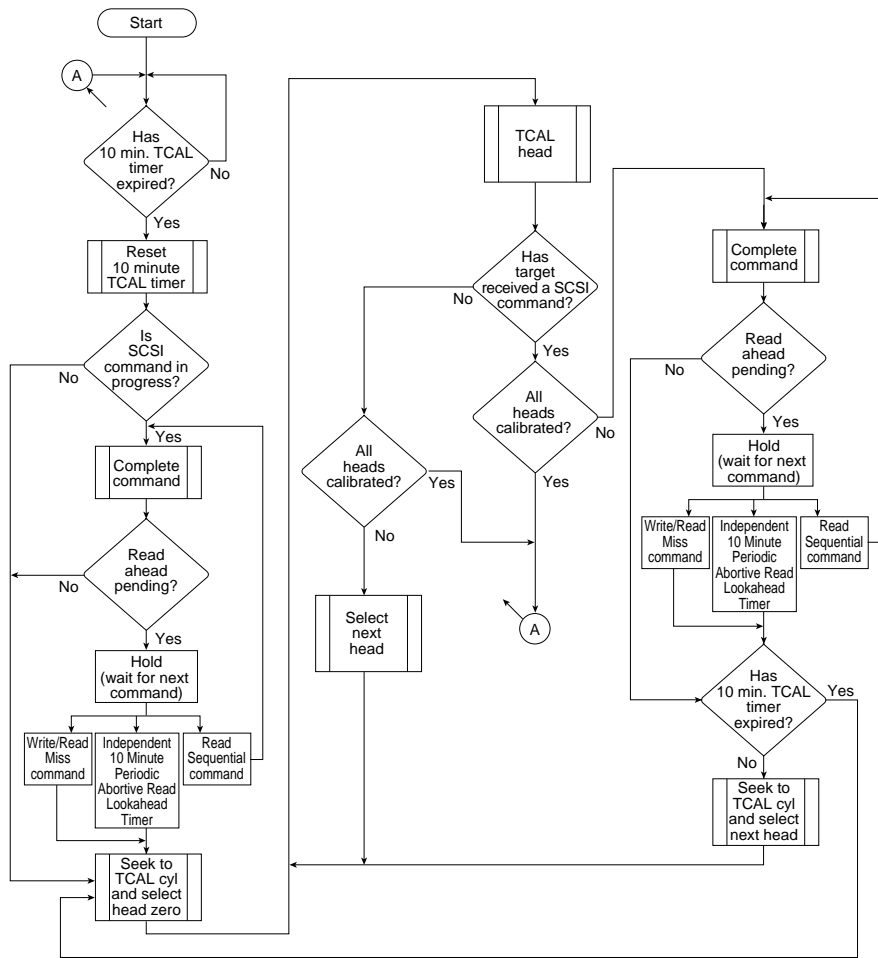


Figure 3. ASA I OEM thermal calibration

5.2.1

Seek time

	Drive level (msec)		Drive including controller overhead without disconnect (msec)	
	read	write	read	write
Average typical*	8.0	9.0	9.0	10.0
Single track typical*	0.6	0.9	1.6	1.9
Full stroke typical*	17	19	18.0	20.0

*Typical seek values are measured under nominal conditions of temperature, voltage, and horizontal orientation on a representative sample of drives.

5.2.2

Format drive command execution time for ≥ 512-byte sectors

	ST31250	ST32550
Maximum (with verify)	15 minutes	30 minutes
Maximum (without verify)	10 minutes	20 minutes

5.3 General performance characteristics

Minimum sector interleave	1 to 1
Data buffer to/from disc media	512-byte sector
Data transfer rate (≤ 1 sector)	
Minimum	5.30 Mbytes/sec*
Maximum	8.94 Mbytes/sec*
Data transfer rate (< 1 track)	
Minimum	3.56 Mbytes/sec*
Maximum	7.65 Mbytes/sec*
SCSI interface data	
Asynchronous transfer rate * (maximum instantaneous)	5.0 Mbytes/sec** 10.0 Mbytes/sec***
Synchronous transfer rate fast (ST31250N/ND and ST32550N/ND)	2.5 to 10 Mbytes/sec
Synchronous transfer rate wide (ST31250W/WD/WC/DC and ST32550W/WD/WC/DC)	5.0 to 20 Mbytes/sec
Sector sizes	
Default	512-byte data blocks
Variable in even-sector sizes	180 to 4,096 bytes
Read/write consecutive sectors on a track	Yes
Flaw reallocation performance impact	
Spare sectors per track reallocation	Negligible
Spare sectors per cylinder reallocation	Negligible
Spare tracks per volume reallocation	35 msec (typical)
Overhead time for head switch	0.7 msec
Overhead time for one-track cylinder switch	1.6 msec (typical)
Average rotational latency	4.17 msec

* Rate measured from the start of the first sector transfer to or from the host.

** Assumes system ability to support 5.0 Mtransfers/sec, 1 byte wide, and no cable loss.

*** Assumes system ability to support 5.0 Mtransfers/sec, 2 bytes wide, and no cable loss.

5.4 Start/stop time

Disabling the Motor Start option causes the motor to start as soon as power is applied, causing the drive to become ready within 30 seconds after DC power is applied at nominal voltage. If a recoverable error condition is detected during the start sequence, the drive executes a recovery procedure which may cause the drive to become ready in excess of 30 seconds. During the start sequence the drive responds to some commands over the SCSI interface. Stop time is less than 30 seconds (maximum) from removal of DC power.

Enabling the Motor Start option causes the internal controller to accept the commands listed in the *SCSI-2 Interface Product Manual (77738479)* less than 3 seconds after applying DC power. After receiving the Motor Start command, the drive becomes ready for normal operation within 30 seconds (excluding the error recovery procedure). The Motor Start command can also be used to command the drive to stop the spindle (see the Start/Stop command information in the *SCSI-2 Interface Product Manual*).

There is no power control switch on the drive.

5.5 Prefetch/multi-segmented cache control

The drive provides a prefetch/multi-segmented cache algorithm, which in many cases enhances system performance. To select this feature, the host sends the Mode Select command with the proper values in the applicable bytes in page 08h (see the *SCSI-2 Interface Product Manual*). Default is prefetch and cache operation enabled.

Of the 512 Kbytes physical buffer space, approximately 480 Kbytes can be used as a cache. The cache can be divided into logical segments from which data is read and to which data is written.

The drive keeps track of the logical block addresses of the data stored in each segment of the cache. If the cache is enabled (see RCD bit, Table 5.2.1-27 in the *SCSI-2 Interface Product Manual*), data requested by the host with a read command is retrieved from the cache before any disc access is initiated. Data in contiguous logical blocks immediately beyond that requested by the Read command can be retrieved and stored in the cache for immediate transfer to the initiator on subsequent read commands. This is referred to as the prefetch operation. Since data that is prefetched may replace data already in the cache segment, an initiator can limit the amount of prefetch data to optimize system performance. The drive never prefetches more sectors than the number specified in bytes 8 and 9 of Mode page 08h (see the *SCSI-2 Interface Product Manual*). If the cache is not enabled, 480 Kbytes of the buffer are used as a circular buffer for read/writes, with no prefetch operation and no segmented cache operation.

The following is a simplified description of the prefetch/cache operation:

Case A. A read command is received and the first logical block is already in the cache.

1. The drive transfers to the initiator the first logical block requested plus all subsequent contiguous logical blocks that are already in the cache. This data may be in multiple segments.

2. When a requested logical block is reached that is not in any segment, the drive fetches it and any remaining requested logical block addresses from the disc and puts them in a segment of the cache. The drive transfers the remaining requested logical blocks from the cache to the initiator in accordance with the “buffer-full” ratio specification given in Mode Select Disconnect/Reconnect parameters, page 02h (see the *SCSI-2 Interface Product Manual*).
3. The drive prefetches additional logical blocks contiguous to those transferred in step 2 above and stores them in the segment. The drive stops filling the segment when the maximum prefetch value has been transferred (see the *SCSI-2 Interface Product Manual*).

Case B. A read command is received and the first logical block address requested is not in any segment of the cache.

1. The drive fetches the requested logical blocks from the disc and transfers them into a segment, then from there to the initiator in accordance with the “buffer-full” ratio specification given in Mode Select Disconnect/Reconnect parameters, page 02h (see the *SCSI-2 Interface Product Manual*).
2. The drive prefetches additional logical blocks contiguous to those transferred in Case A, step 2 above and stores them in the segment. The drive stops filling the segment when the maximum prefetch value has been transferred.

During a prefetch, the drive crosses a cylinder boundary to fetch data only if the Discontinuity (DISC) bit is set to 1 in bit 4 of byte 2 of the Mode Select parameters page 8h. Default is zero for bit 4 (see the *SCSI-2 Interface Product Manual*).

Each cache segment is actually a self-contained circular buffer whose length is an integer number of sectors. The drive supports operation with any integer number of segments 1 to 16. Divide the 491,520 bytes in the buffer by the number of segments to get the segment size; default is 3 segments (see the *SCSI-2 Interface Product Manual*). The wrap-around capability of the individual segments greatly enhances the cache’s overall performance, allowing a wide range of user-selectable configurations including a pure prefetch strategy.

5.6

Caching write data

Write caching is a drive-write operation, which uses a drive’s buffer storage area where data to be written to the disc is stored while the drive performs the Write command.

Write caching is enabled along with read caching. Default is cache enabled. For write caching, the same buffer space and segmentation is used as set up for read functions. When a write command is issued, the cache is first checked to see if any logical blocks to be written are already stored in the cache from a previous read or write command. If there are, the respective cache segments are cleared. The new data is cached for subsequent read commands.

If a 10-byte CDB write command (2Ah) is issued with the data page out (DPO) bit set to 1, no write data is cached, but the cache segments are still checked

and cleared, if needed, for any logical blocks that are being written (see the *SCSI-2 Interface Product Manual*).

If the number of write data logical blocks exceeds the size of the segment being written into when the end of the segment is reached, data is written into the beginning of the same cache segment, overwriting data that was written there at the beginning of the operation. However, the drive does not overwrite data that has not yet been written to the disc.

5.7

Synchronized spindle operation

The synchronized spindle operation allows several drives operating from the same host to operate their spindles at the same synchronized rotational rate. Drives operating in a system in synchronized mode increase the system's capacity and transfer rate in a cost-effective manner.

The interface consists of a twisted-pair cable, which connects the drives in the synchronized system in a daisy-chain configuration as shown below.

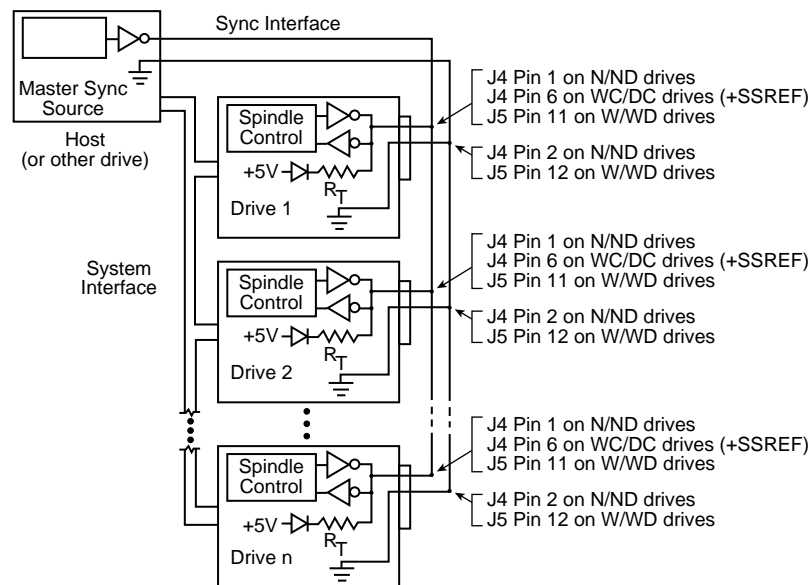


Figure 4. Synchronized drive interconnect diagram

The host can reconfigure the drive any time after power-up to be the master or a slave by using the Mode Select command on the Rigid Disc Drive Geometry page. The master provides the reference signal to which all other drives phase-lock, including the master. There is only one master per system, and that can be a drive or the host computer. All drives may be configured as slaves allowing the host to provide the reference signal.

Each drive also can be configured for the non-synchronized mode in which it ignores any reference signal that might be present—this is the default mode as shipped from the factory. Connect the synchronized reference signal to the host only if the host provides the reference signal. If the host does not provide the reference signal, do not connect the host.

Rotational position locking

Note. Mode Select page 4, byte 17, bits 1 and 0.

RPL Description

00b	Spindle synchronization is disabled (default value)
01b	The target operates as a synchronized-spindle slave
10b	The target operates as a synchronized-spindle master
11b	The target operates as a synchronized-spindle master control (not supported by the disc drive)

The Pike 2 LSI on the master drive provides the reference signal (SSREF+). The index signal generates a 120 Hz signal. The signal is normally false/negated (nominal 0V) and makes a transition to the true/asserted (nominal +5V) level to indicate the reference position during the revolution period. Master and slave drives use the trailing (falling) edge of the reference signal to phase-lock their spindles. A maximum of 10 seconds is allowed for a slave to synchronize with the reference signal. Figure 5 shows the characteristics of the reference signal.

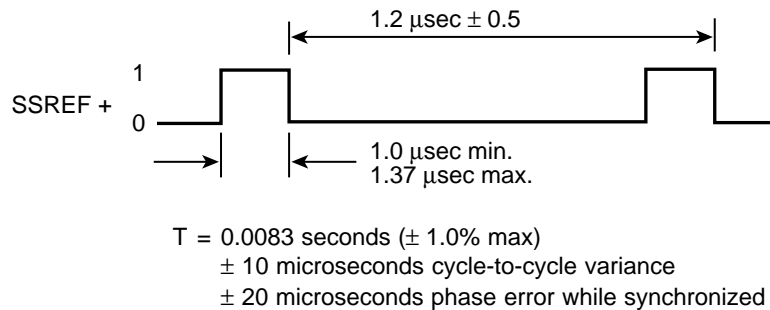


Figure 5. Synchronized reference signal characteristics

SCSI interface factors

The Rotational Position Locking (RPL) field in byte 17 (bits 0 and 1) of the Rigid Disc Drive Geometry mode parameters page (page 04h) is used for enabling and disabling spindle synchronization mode (see the *SCSI-2 Interface Product Manual*). If the target fails to synchronize, it creates a unit attention condition to all initiators. The sense key is set to Unit Attention and the additional sense code is set to Spindle Synchronized (5C01).

After reaching synchronization, if the target detects a change of synchronization and:

1. If the logical unit is not executing an I/O process for the initiator, then the target creates a unit attention condition. The sense key is set to Unit Attention and the additional sense code is set to Spindle Synchronized (5C01) or Spindle Not Synchronized (5C02).
2. If the logical unit is executing an I/O process and no other error occurs, then the target returns Check Condition status. The sense key is set to Recovered Error if the target is able to complete the I/O process or to Hardware Error if the target is unable to complete the I/O process. The additional sense code is set to Spindle Synchronized (5C01) or Spindle Not Synchronized (5C02).

You may operate the drive with a rotational skew when synchronized. The rotational skew is applied in the retarded direction (lagging the synchronized-spindle master control). A rotational offset of up to 255/256 of a revolution lagging may be selected. Select the amount of offset by using the Mode Select command, Rigid Disc Drive Geometry page (page 04h), byte 18 (see the *SCSI-2 Interface Product Manual*). The value in byte 18 (0–FFh) is the numerator of a fractional multiplier that has 256 as the denominator. For example, 40h selects 40h/FFh or 1/4 of a revolution lagging skew, 80h selects 1/2 of a revolution lagging skew, etc. Since the drive supports all offset values from 0 to 255, values sent by the initiator are not rounded off. The drive's translation of the digital offset values to physical rotational offsets results in offset values whose phase error lies within the ± 20 microseconds phase error with respect to the supplied 120 Hz reference signal.

The drive does not have the capability to adjust the rotational offset value requested by the initiator to a physical offset in the drive that corresponds in any way to sector boundaries or changes in ZBR zones. The initiator must formulate these boundaries or changes, if required, to calculate the value of offset it sends to the drive.

6.0 Reliability specifications

The following reliability specifications assume correct host and drive interface, including all interface timings, power supply voltages, and environmental requirements.

Seek error rate	Less than 10 errors in 10^8 seeks
Recoverable error rate	Less than 10 errors in 10^{11} bits transferred (using default settings)
Unrecovered data	Less than 1 sector in 10^{14} bits transferred
Miscorrected data	Less than 1 sector in 10^{21} bits transferred
MTBF	800,000 hours
Service life	5 years
Preventive maintenance	None required

6.1 Error rates

The error rates stated in this manual assume the following:

- The drive is operated using DC power as defined in Section 7.2.
- The drive has been formatted with SCSI format commands.
- Errors caused by media defects or host system failures are excluded from error rate computations. Refer to Section 9.0.

6.1.1 Environmental interference

When evaluating system operation under conditions of electromagnetic interference (EMI), the performance of the drive within the system is considered acceptable if the drive does not generate an unrecoverable condition.

An unrecoverable error or condition is defined as one that:

- is not detected and corrected by the drive itself;
- is not capable of being detected from the error or fault status provided through the drive or SCSI interface; or
- is not capable of being recovered by normal drive or system recovery procedures without operator intervention.

6.1.2 Write errors

Write errors can occur as a result of media defects, environmental interference, or component malfunction. Therefore, write errors are not predictable as a function of the number of bits passed.

If an unrecoverable write error occurs because of a component malfunction in the drive, the error is classified as a failure affecting MTBF. Unrecoverable write errors are those that cannot be corrected within two attempts at writing the record with a read verify after each attempt (excluding media defects).

6.1.3 Seek errors

A seek error is defined as a failure of the drive to position the heads at the addressed track. There must be no more than one recoverable seek error in 10^7 physical seek operations. After detecting an initial seek error, the drive automatically reseek to the addressed track up to three times. If a reseek is successful, the extended sense report indicates a Seek-Positioning Error (15h), No-Seek-Complete Error (02h), or Track-Follow Error (09h), and the sense key reports a recovered error (1h). If all three reseek fail, a Seek-Positioning Error (15h) is reported with a Medium (3h) or Hardware Error (4h) reported in the sense key. This is an unrecoverable seek error. Unrecoverable seek errors are classified as failures for MTBF calculations. Refer to Section 5.1.1.2 of the *SCSI-2 Interface Product Manual* (part number 77738479).

6.2 Reliability and service

You can enhance the reliability of Barracuda 2LP disc drives by ensuring that the drive receives adequate cooling. This section provides recommended air-flow information, temperature measurements, and other information that may be used to enhance the service life of the drive.

6.2.1 Mean time between failures (MTBF)

The production disc drive achieves an MTBF of 800,000 hours when operated in an average local disc drive ambient temperature of 95°F (35°C) or less. Short-term excursions up to the specification limits (122°F, 50°C) of the operating environment will not affect MTBF performance.

The following expression defines MTBF:

$$\text{MTBF} = \frac{\text{Estimated power-on operating hours in the period}}{\text{Number of drive failures in the period}}$$

Estimated power-on operating hours means the estimated total power-on hours for all drives in service.

Drive failure means any stoppage or substandard performance caused by drive malfunction.

Data is calculated on a rolling-average base for a minimum period of six months.

6.2.2 Air flow

The rack, cabinet, or drawer environment for the Barracuda 2LP drive must provide cooling of the electronics and head and disc assembly (HDA). You should confirm that adequate cooling is provided using the temperature measurement guidelines described below.

Orient the drive or direct air flow so that the least amount of air-flow resistance is created while providing air flow to the electronics and HDA. Also, choose the shortest possible path between the air inlet and exit to minimize the travel length of air heated by the Barracuda 2LP drive and other heat sources within the rack, cabinet, or drawer environment.

Possible air-flow patterns are shown in Figure 6. Create the air-flow patterns by using one or more fans, either forcing or drawing air as shown in the illustrations. Other air-flow patterns are acceptable as long as the temperature measurement guidelines are met.

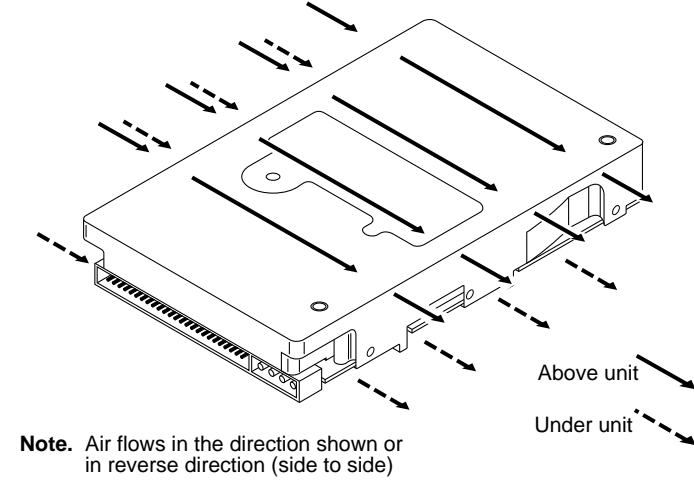
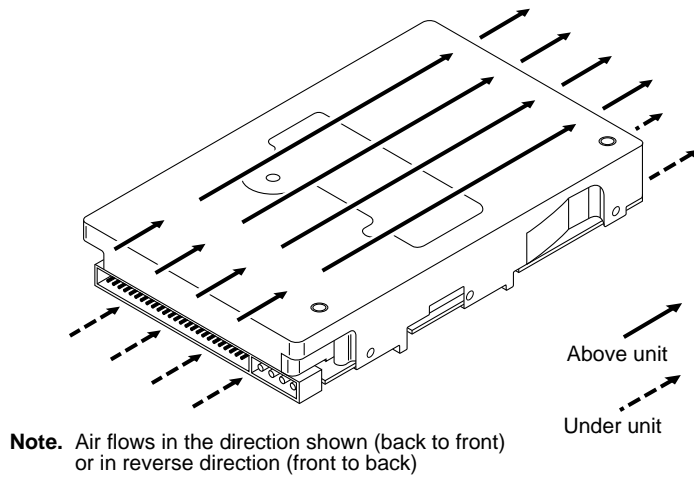


Figure 6. Air-flow pattern (ST32550N drive shown)

To confirm that required cooling for the Barracuda electronics and HDA is provided, place the drive in its final mechanical configuration, perform random write/read operations, and after the temperatures stabilize, measure the case temperature of the components listed below.

Add 15°C to the 800k MTBF case temperatures to obtain the maximum temperature for each of the reference components. You should not operate the drive at the maximum case temperature for extended periods of time. Doing so will reduce product reliability.

Air-flow cooling
ST31250N and ST32550N single-ended drives

Card	Component	Reference	MTBF 800k hours case temperature (°C)
WYGX	ADC	1	49
WYGX	Detector	2	60
WYGX	Microprocessor	3	55
WYGX	Driver	4	57

The air-flow pattern with which the temperature guidelines above were generated is shown in Figure 6 (opposite direction). Local average air velocity was 0.61 msec (120 lfpm) and inlet air temperature to the drive was 30°C (86°F), plus a 5°C temperature rise in the test enclosure (35°C ambient local to the drive).

The maximum allowable HDA case temperature is 60°C (see Figure 13).

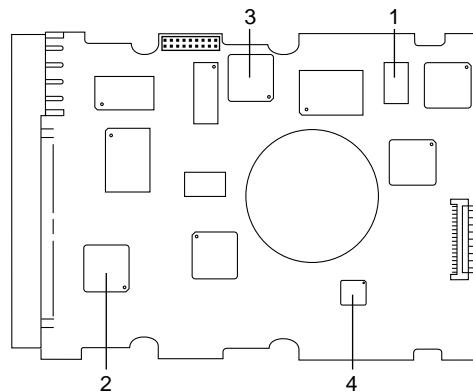


Figure 7. WYGX temperature measurement locations

Air-flow cooling
ST31250ND and ST32550ND differential drives

Card	Component	Reference	MTBF
			800k hours case temperature (°C)
HYHX	ADC	1	49
HYHX	Detector	2	60
HYHX	Microprocessor	3	55
HYHX	Driver	4	57

The air-flow pattern with which the temperature guidelines above were generated is shown in Figure 6 (opposite direction). Local average air velocity was 0.61 msec (120 lfpm) and inlet air temperature to the drive was 30°C (86°F), plus a 5°C temperature rise in the test enclosure (35°C ambient local to the drive).

The maximum allowable HDA case temperature is 60°C (see Figure 13).

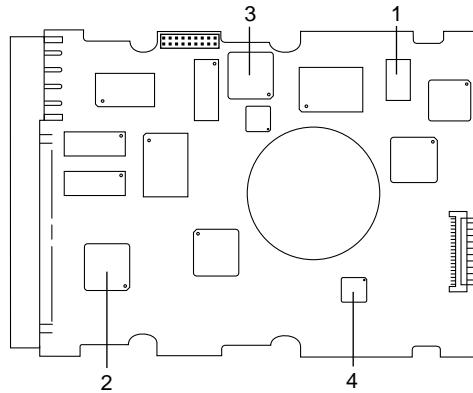


Figure 8. HYHX temperature measurement locations

Air-flow cooling
ST31250W and ST32550W wide single-ended drives

Card	Component	Reference	MTBF
			800k hours case temperature (°C)
JYHX	ADC	1	49
JYHX	Detector	2	60
JYHX	Microprocessor	3	55
JYHX	Driver	4	57

The air-flow pattern with which the temperature guidelines above were generated is shown in Figure 6 (opposite direction). Local average air velocity was 0.61 msec (120 lfpm) and inlet air temperature to the drive was 30°C (86°F), plus a 5°C temperature rise in the test enclosure (35°C ambient local to the drive).

The maximum allowable HDA case temperature is 60°C (see Figure 13).

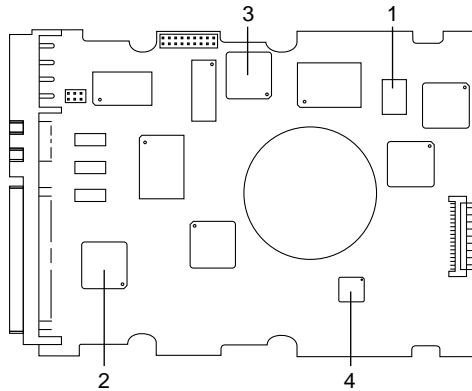


Figure 9. JYHX temperature measurement locations

Air-flow cooling
ST31250WD and ST32550WD wide differential drives

Card	Component	Reference	MTBF
			800k hours case temperature (°C)
KYHX	ADC	1	49
KYHX	Detector	2	60
KYHX	Microprocessor	3	55
KYHX	Driver	4	57

The air-flow pattern with which the temperature guidelines above were generated is shown in Figure 6 (opposite direction). Local average air velocity was 0.61 msec (120 lfpm) and inlet air temperature to the drive was 30°C (86°F), plus a 5°C temperature rise in the test enclosure (35°C ambient local to the drive).

The maximum allowable HDA case temperature is 60°C (see Figure 13).

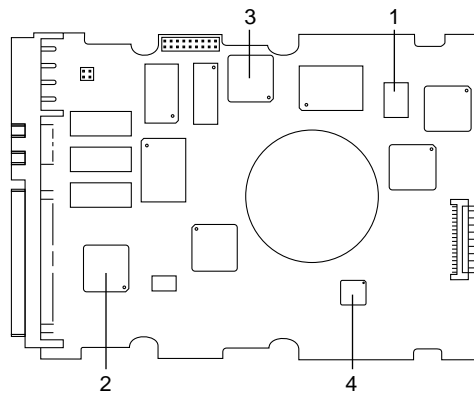


Figure 10. KYHX temperature measurement locations

Air-flow cooling
ST31250WC and ST32550WC wide single-ended SCA drives

Card	Component	Reference	MTBF
			800k hours case temperature (°C)
ZYHX	ADC	1	49
ZYHX	Detector	2	60
ZYHX	Microprocessor	3	55
ZYHX	Driver	4	57

The air-flow pattern with which the temperature guidelines above were generated is shown in Figure 6 (opposite direction). Local average air velocity was 0.61 msec (120 lfpm) and inlet air temperature to the drive was 30°C (86°F), plus a 5°C temperature rise in the test enclosure (35°C ambient local to the drive).

The maximum allowable HDA case temperature is 60°C (see Figure 13).

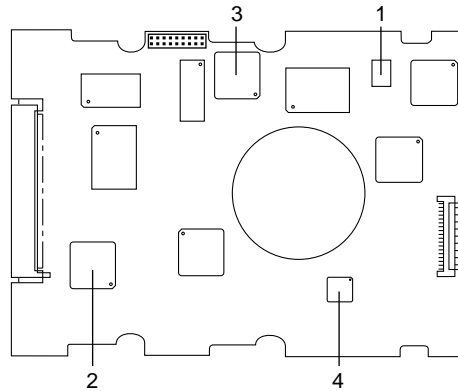


Figure 11. ZYHX temperature measurement locations

Air-flow cooling
ST31250DC and ST32550DC wide differential SCA drives

Card	Component	Reference	MTBF
			800k hours case temperature (°C)
PYJX	ADC	1	49
PYJX	Detector	2	60
PYJX	Microprocessor	3	55
PYJX	Driver	4	57

The air-flow pattern with which the temperature guidelines above were generated is shown in Figure 6 (opposite direction). Local average air velocity was 0.61 msec (120 lfpm) and inlet air temperature to the drive was 30°C (86°F), plus a 5°C temperature rise in the test enclosure (35°C ambient local to the drive).

The maximum allowable HDA case temperature is 60°C (see Figure 13).

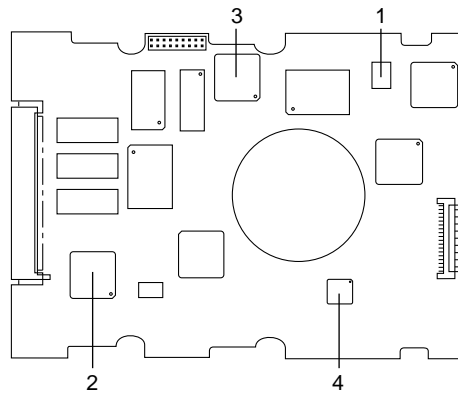


Figure 12. PYJX temperature measurement locations

Measure the HDA housing temperature at the location specified in Figure 13.

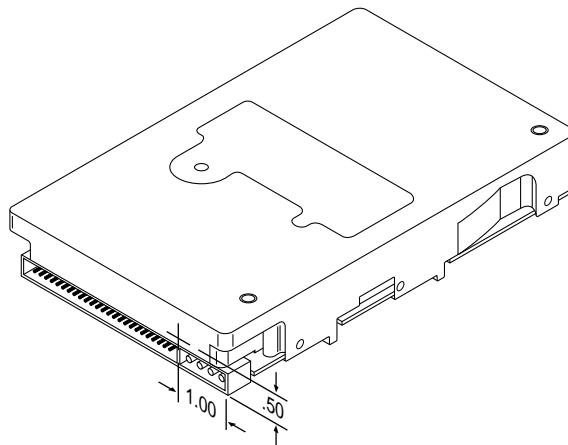


Figure 13. Temperature measurement location (ST32550N shown)

6.2.3 Preventive maintenance

No preventive maintenance is required.

6.2.4 Service life

The drive has a useful service life of 5 years. Depot repair or replacement of major parts is permitted during this period.

6.2.5 Service philosophy

Special equipment is required to repair the drive's HDA. To achieve the 5-year service life, repairs must be performed only at a properly equipped and staffed service and repair facility. Troubleshooting and repair of PCBs in the field is not recommended because of the extensive diagnostic equipment required for effective servicing. Also, there are no spare parts available for this drive. The drive's warranty is voided if the HDA is opened.

6.2.6 Installation

The drive is designed, manufactured, and tested with a "plug in and play" installation philosophy. This philosophy minimizes the requirements for highly trained personnel to integrate the drive into the OEM's system, whether in a factory or field environment. Refer to Section 4.4 and to the *Barracuda 2LP Installation Guide* (83328920) for installation instructions.

The drive has been low-level formatted at the factory and does not need to be reformatted.

6.2.7 Service tools

No special tools are required for site installation or recommended for site maintenance. Refer to Section 6.2.3. The depot repair philosophy of the drive precludes the necessity for special tools. Field repair of the drive is not practical because users cannot purchase individual parts for the drive.

6.2.8 Hot plugging Barracuda 2LP disc drives

Caution. Hot-plug drives are not designed for simultaneous power disconnection and physical removal.

During power-up and power-down periods, the hot SCSI connect/disconnect capability does not produce glitches or any corruptions on an active SCSI bus. Barracuda 2LP drives conform to the SCSI-3 standard requirements for glitch-free power-on and power-off. The drive maintains the high-impedance state of the device connector contacts during a power cycle until the transceiver is enabled.

Note. The systems integrator must ensure that no temperature, energy, or voltage hazard is presented during the hot connect/disconnect operation.

Procedure:

1. Configure the drive with no connection between the drive and the TRMPWR signal on the SCSI bus. To accomplish this, remove all jumpers from connector J1.
2. Ensure that all SCSI devices on the bus have receivers that conform to the SCSI-3 standard.

3. Eliminate all I/O processes for the drive.
4. Wait until the drive motor and discs have come to a complete stop prior to changing the plane of operation, ensuring data integrity.
5. Insert or remove the drive after meeting the following conditions:

Caution. Do not hot-plug the first or last device on the SCSI bus (the SCSI bus termination must be external to the drive you are inserting or removing).

- a. If you are inserting the drive, connect its power ground and logic ground at least 1 millisecond before coming into contact with the bus connector. Maintain these ground connections during and after connecting the device to the bus.
- b. If you are removing the device, maintain its power ground and logic ground connection for at least 1 millisecond after disconnecting the device from the bus.
- c. You may simultaneously switch the power to the electronics and mechanics of the drive with the bus contacts, if the power distribution system is able to maintain adequate power stability to other devices during the transition and if you have met the grounding requirements given in steps 5a and 5b.
- d. Ensure that the drive carrier discharges all static electricity prior to inserting the drive into the system.

Note. Do not remove or add terminator power or resistance to the SCSI bus while hot plugging a disc drive.

7.0 Physical/electrical specifications

This section provides information relating to the physical and electrical characteristics of Barracuda 2LP drives.

7.1 AC power requirements

None.

7.2 DC power requirements

The voltage and current requirements for a single drive are shown below. Values indicated apply at the drive's power connector.

Voltage regulation ^[5]	Notes	N/W/WC		ND/WD/DC	
		5V ^[8] ±5%	12V ±5% ^[2]	5V ^[8] ±5%	12V ±5% ^[2]
Amps					
Max operating current DC 3 σ	[1]	0.93	0.6	1.17	0.6
Avg idle current					
DC \bar{X}	[1] [12]	0.63	0.49	0.70	0.49
Max start current					
(peak) DC 3 σ	[3] [6]	0.93	1.35	1.0	1.35
(peak) AC 3 σ	[3]	–	1.93	–	1.93
Delay motor start (max)					
DC 3 σ	[1] [4]	0.88	0.12	0.92	0.12
Peak operating current					
Typical DC \bar{X}	[1] [10]	0.91	0.57	1.13	0.57
Maximum DC 3 σ	[1]	0.93	0.60	1.17	0.60
Maximum (peak) AC 3 σ		1.0	1.56	1.95	1.56
Track following at					
OD DC \bar{X}	[1]	0.91	0.5	0.99	0.50
ID DC \bar{X}	[1]	0.88	0.51	0.96	0.51
Read track					
OD DC 3 σ	[1] [14]	0.96	0.53	1.35	0.53
AC 3 σ		1.03	0.73	1.95	0.73
Seeking					
Typical DC \bar{X}	[1] [13]	0.89	0.78	0.99	0.78
Maximum DC 3 σ	[1]	0.92	0.82	1.10	0.82
Maximum (peak) AC 3 σ		0.95	1.60	1.67	1.60

Notes:

- [1] Measured with average reading DC ammeter. Instantaneous +12V current peaks will exceed these values.
- [2] A –10% tolerance is permissible during initial start of the spindle and must return to $\pm 5\%$ before 7,200 RPM is reached. The $\pm 5\%$ must be maintained after the drive signals that its power-up sequence has been completed and that it can accept selection by the host initiator.
- [3] See Figure 14.
- [4] This condition occurs when the Motor Start Option is enabled and the drive has not yet received a Start Motor command.

- [5] See Section 7.2.1 “Conducted noise immunity.” Specified voltage tolerance includes ripple, noise, and transient response.
- [6] At power-up, the motor current regulator limits the 12V current to an average value of less than 1.4A, although instantaneous peaks may exceed this value. These peaks should measure 5 msec duration or less.
- [7] Minimum current loading for each supply voltage is not less than 4% of the maximum operating current shown.
- [8] The +5V and +12V supplies use separate ground returns.
- [9] Where power is provided to multiple drives from a common supply, careful consideration for individual drive power requirements should be noted. Where multiple units are powered on simultaneously, the peak starting current must be available to each device.
- [10] Operating condition is defined as a third-stroke seek at OD and read one track. A command is issued every 0.075 sec. (0.063 seconds on W/WD/WC/DC drives)
- [11] No terminator power. See Section 11.7.3.4.
- [12] All power-saving features enabled--ASA II code only.
- [13] Seeking is defined as a third-stroke seek at OD. A command is issued every 20 msec.
- [14] Read track is defined as repeat reads of track 15 with a duty cycle of 78% (N), 32% (W), 48% (WC), 60% (ND), 44% (WD), 44% (DC).

7.2.1

Conducted noise immunity

Noise is specified as a periodic and random distribution of frequencies covering a band from DC to 10 MHz. Maximum allowed noise values given below are peak-to-peak measurements and apply at the drive’s power connector.

	0 to 100 kHz	100 kHz to 10 MHz
+5V	150 mV	100 mV
+12V	150 mV	100 mV

7.2.2

Power sequencing

The drive does not require power sequencing. The drive protects against inadvertent writing during power-up and down. Daisy-chain operation requires that power be maintained on the terminated device to ensure proper termination of the peripheral I/O cables.

To automatically delay motor start based on the target ID (SCSI ID), select the Delay Motor Start option and deselect the Enable Motor Start option. See Section 10.1 for pin selection information.

To delay the motor until the drive receives a Start Unit command, select the Enable Motor Start option.

7.2.3 12V current profile

Figure 14 identifies the drive's +12V current profile. The current during the various times is as shown.

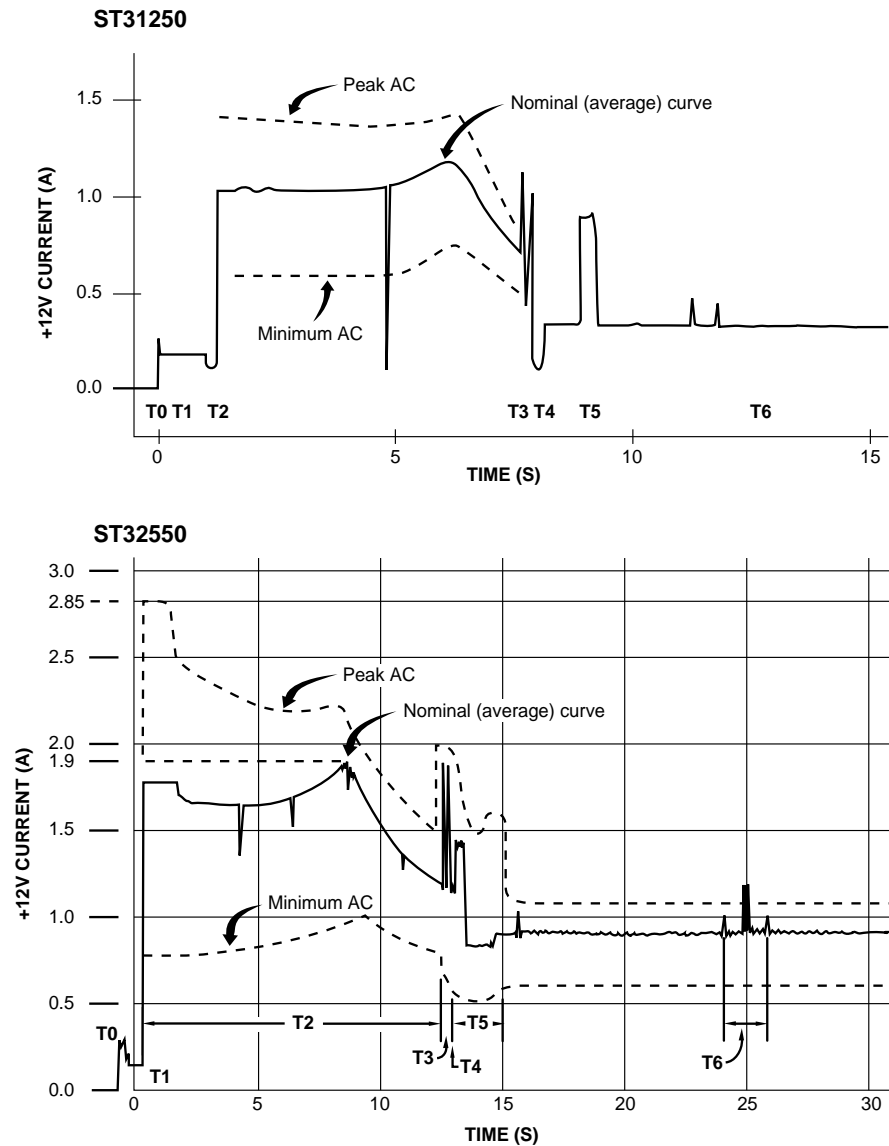


Figure 14. Barracuda 2LP drives typical +12V current profiles

- T0 Power is applied to the drive.
- T1 Controller self-tests are performed.
- T2 The spindle begins to accelerate under current limiting after performing internal diagnostics. See Section 7.2, note 1.
- T3 The spindle is up to speed and the head-arm restraint is unlocked.
- T4 Heads move from the landing zone to the data area.
- T5 The adaptive calibration sequence is performed.
- T6 Calibration is complete and the drive is ready for reading and writing.

Note. All times and currents are typical. See Section 7.2 for maximum current requirements.

7.3 Heat/power dissipation

The heat and power dissipation values for your drive are listed below.

	ST31250 N/W/WC	ST31250 ND/WD/DC
Typical seek and read power dissipation*	11W (35 BTUs/hr)	12W (41 BTUs/hr)
Typical power dissipation under idle conditions	9W (31 BTU/hr)	9W (31 BTUs/hr)
	ST32550 N/W/WC	ST32550ND ND/WD/DC
Typical seek and read power dissipation*	11W (35 BTUs/hr)	12W (41 BTUs/hr)
Typical power dissipation under idle conditions	9W (31 BTUs/hr)	9W (31 BTUs/hr)

*DC power average at nominal voltages

7.4 Environmental limits

Temperature and humidity must not cause condensation within the drive. Altitude and atmospheric pressure specifications are referenced to a standard day at 58.7°F (14.8°C). Maximum wet bulb temperature is 82°F (28°C).

7.4.1 Temperature

a. Operating

The MTBF specification for the drive is based on operating at a local ambient temperature of 95°F (35°C). Occasional excursions to drive ambient temperatures of 122°F (50°C) may occur without impact to specified MTBF. The enclosure for the drive should be designed such that the temperatures at the locations specified in Section 6.2.2 are not exceeded. Air flow may be needed to achieve these temperatures. Continual or sustained operation at case temperatures above these values may degrade MTBF.

The drive meets all specifications within a 41° to 122°F (5° to 50°C) drive ambient temperature range with a maximum gradient of 36°F (20°C) per hour.

b. Non-operating

Non-operating temperature should remain between -40° to 158°F (-40° to 70°C) package ambient with a maximum gradient of 36°F (20°C) per hour. This assumes that the drive is packaged in the shipping container designed by Seagate.

7.4.2 Relative humidity

The values below assume that no condensation on the drive occurs.

a. Operating

5% to 95% relative humidity with a maximum gradient of 10% per hour

b. Non-operating

5% to 95% relative humidity

7.4.3 Effective altitude (sea level)

- a. Operating
–1,000 to +10,000 feet (–305 to +3,048 meters)
- b. Non-operating
–1,000 to +40,000 feet (–305 to +12,210 meters)

7.4.4 Shock and vibration

Shock and vibration limits are measured directly on the drive's chassis. Ensure that you use an enclosure that buffers and restricts the drive's movements to meet the shock and vibration requirements listed below.

The limits of shock and vibration defined within this manual are specified with the drive mounted in one of the two methods shown in Figure 18.

7.4.4.1 Shock

- a. Operating in a normal environment
The drive as installed for normal operation operates error free while subjected to intermittent shock not exceeding:
2.0 Gs at a maximum duration of 11 msec (half-sinewave)
Shock may be applied in the X, Y, or Z axis.
- b. Operating in an abnormal environment
The drive as installed for normal operation does not incur physical damage while subjected to intermittent shock not exceeding:
10 Gs at a maximum duration of 11 msec (half-sinewave)
Shock occurring at abnormal levels may degrade operating performance during the abnormal shock period. Specified operating performance continues when normal operating shock levels resume.
Shock may be applied in the X, Y, or Z axis. Shock must not be repeated more than two times per second.
- c. Non-operating
The limits of non-operating shock apply to all conditions of handling and transportation. This includes both isolated drives and integrated drives.
The drive does not cause drive damage or performance degradation while subjected to non-repetitive shock not exceeding:
50 Gs at a maximum duration of 11 msec (half-sinewave)
Shock may be applied in the X, Y, or Z axis.
- d. Packaged
The drive as packaged by Seagate for general freight shipment withstands a drop test against a concrete floor or equivalent with specifications not exceeding:
20 pounds (8.95 kg) for pack's gross weight
42 inches (1,070 mm) for distance dropped
Drop test applies to a single- or multiple-drive pack.

7.4.4.2

Vibration

a. Operating in a normal environment

The drive as installed for normal operation operates error free while subjected to continuous vibration not exceeding:

5-400 Hz @ 0.5 G in the X and Y axis

5-375 Hz @ 0.5 G in the Z axis

b. Operating in an abnormal environment

Equipment as installed for normal operation does not incur physical damage while subjected to periodic vibration not exceeding:

15 minutes of duration at major resonant frequency

5-400 Hz @ 0.75 G

Vibration occurring at these levels may degrade operating performance during the abnormal vibration period. Specified operating performance continues when normal operating vibration levels are resumed—this assumes system recovery routines are available.

Abnormal vibration may be applied in the X, Y or Z axis.

c. Non-operating

The limits of non-operating vibration apply to all conditions of handling and transportation. This includes both isolated drives and integrated drives.

The drive does not incur physical damage or degraded performance as a result of continuous vibration not exceeding:

5-22 Hz @ 0.040 inches (1.02 mm) displacement

22-400 Hz @ 2.00 Gs

Vibration may be applied in the X, Y, or Z axis.

7.4.5

Air cleanliness

The drive is designed to operate in a typical office environment with minimal environmental control.

7.4.6

Acoustics

Sound power during idle mode (when the drive is not seeking, reading, or writing) is 4.7 bels typical when measured to ISO 7779 specifications.

7.5

Electromagnetic compatibility

As a component assembly, the drive is not required to meet any susceptibility performance requirements. The system integrator is responsible for performing tests to ensure that equipment operating in the same system as the drive does not adversely affect the performance of the drive. See Section 7.2 “DC power requirements.”

7.6 Mechanical specifications

The following nominal dimensions do not include the decorative front-panel accessory. Refer to the appropriate figure listed below for your drive's mounting configuration dimensions. Maintain a minimum clearance of 0.050 inches from the PWA side of the drive, except in the mounting locations.

Height 1.0 in 25.4 mm
 Width 4.00 in 101.6 mm
 Depth 5.75 in 146.05 mm
 Weight 1.2 lb 545 g

ST31250N/ND and ST32550N/ND drives Figure 15

ST31250W/WD and ST32550W/WD drives Figure 16

ST31250WC/DC and ST32550WC/DC drives Figure 17

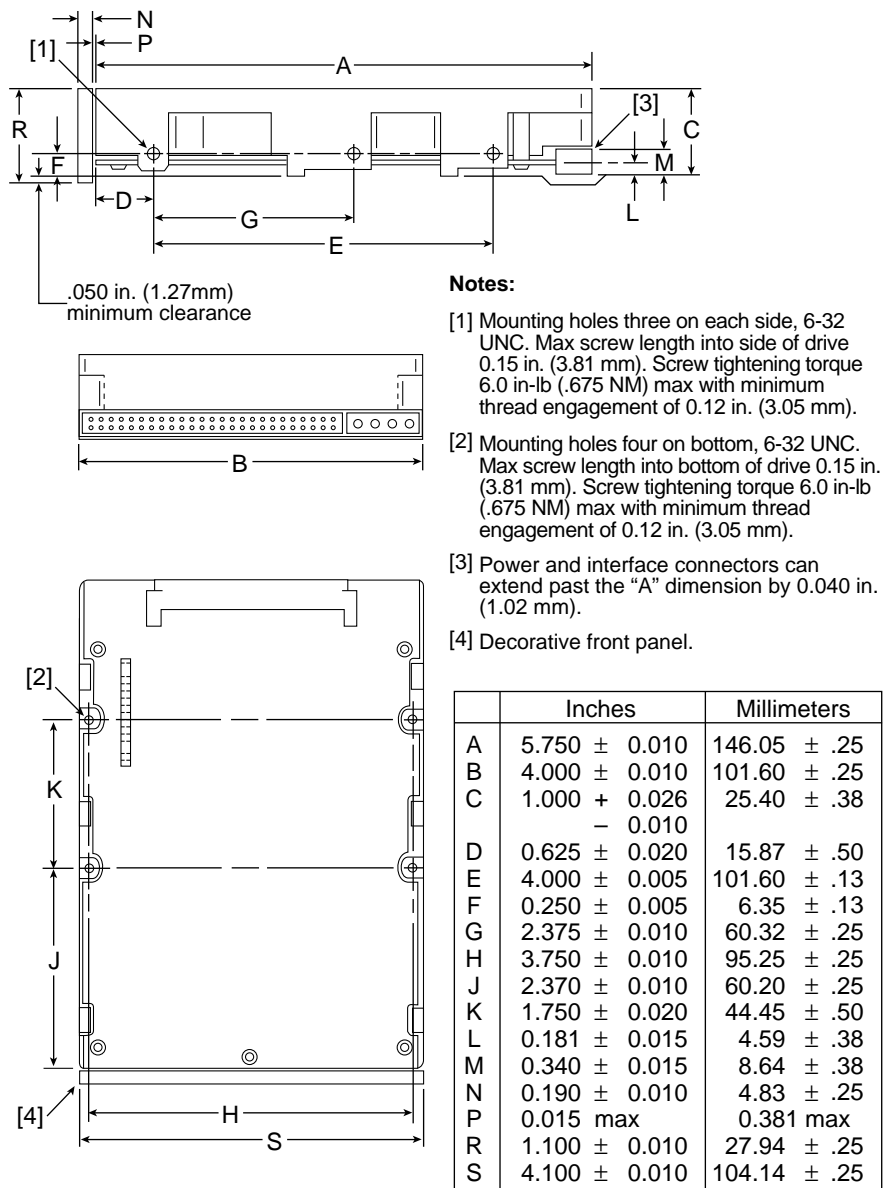


Figure 15. ST31250N/ND and ST32550N/ND mounting configuration dimensions

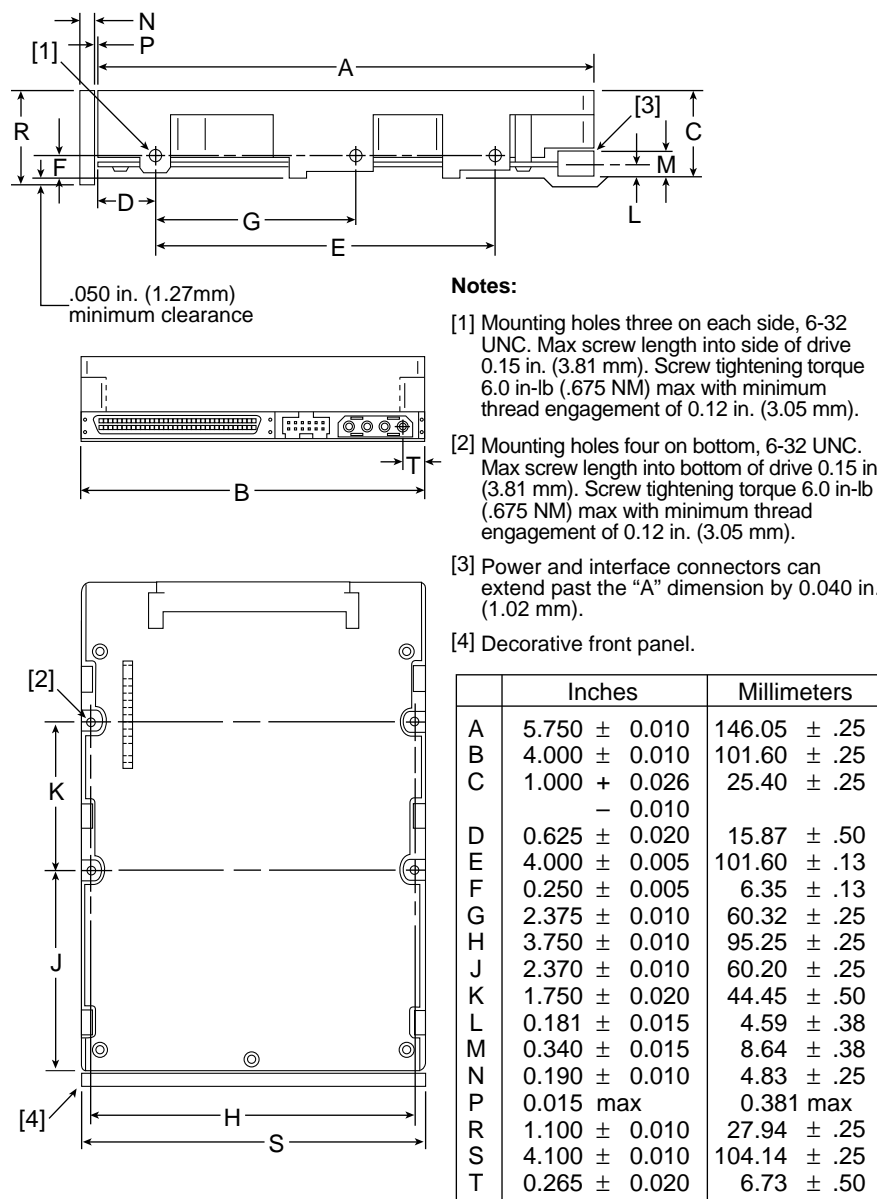


Figure 16. ST31250W/WD and ST32550W/WD mounting configuration dimensions

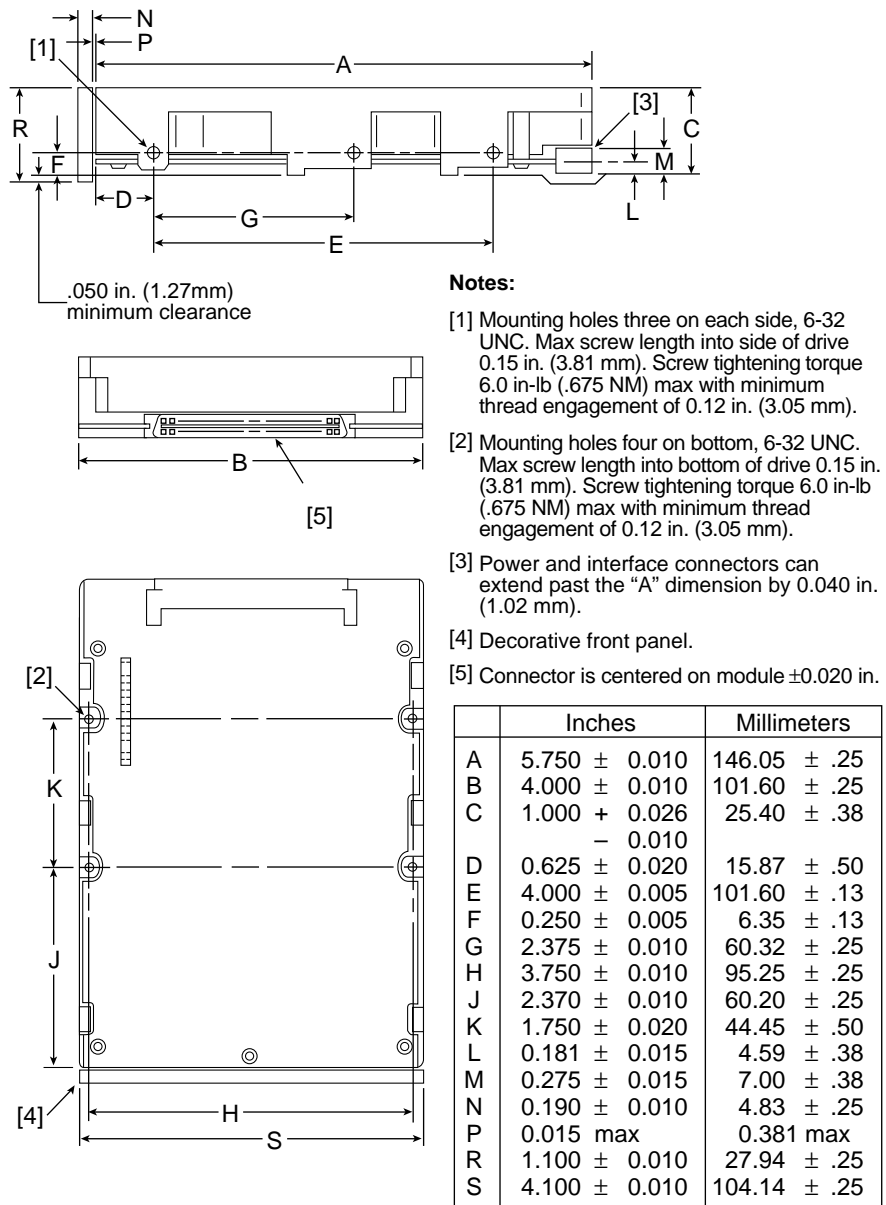


Figure 17. ST31250WC/DC and ST32550WC/DC mounting configuration dimensions

7.6.1 Drive orientation

The balanced rotary arm actuator design of the drive allows it to be mounted in any orientation. All drive performance evaluations have been done with the drive in horizontal (discs level) and vertical (drive on its side) orientations, which are the two preferred mounting orientations.

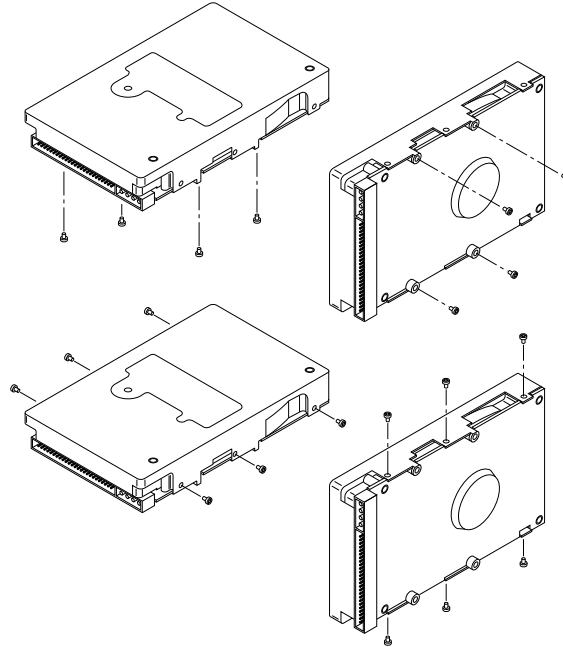


Figure 18. Recommended mounting

7.6.2 Cooling

Ensure that the enclosure you use provides adequate cooling so that the ambient temperature immediately surrounding the drive does not exceed temperature conditions specified in Section 7.4.1. Ensure that you provide adequate air circulation around the printed circuit boards (PCBs) to meet the requirements of Section 6.2.2.

7.6.3 Drive Mounting

Mount the drive using the bottom or side mounting holes. If you are mounting the drive using the bottom holes, ensure that you do not physically distort the drive by attempting to mount it on a stiff, non-flat surface.

The allowable mounting surface stiffness is 80 lb/in (14.0 N/mm). The following equation and paragraph define the allowable mounting surface stiffness:

$$k = \frac{F}{x} = \frac{80 \text{ lb}}{\text{in}} \quad \text{or} \quad \frac{14.0 \text{ N}}{\text{mm}}$$

where k is the mounting surface stiffness (units in pounds or newton) and x is the out-of-plane distortion (units in inches or millimeters). The out-of-plane distortion (x) is determined by defining a plane with three of the four mounting points fixed and evaluating the out-of-plane deflection of the fourth mounting point when a known force (F) is applied to the fourth point.

8.0 Media characteristics

This section provides information regarding the media used in Barracuda 2LP disc drives.

8.1 Media description

The media used on the drive has a diameter of approximately 95 mm (3.7 inches). The aluminum substrate is coated with a thin-film magnetic material, which has a proprietary protective layer for improved durability and environmental protection.

9.0 Defect and error management

The drive, as delivered, complies with this product manual. The read error rates and specified storage capacities are not dependent on using defect-management routines by the host (initiator).

Defect and error management in the SCSI system involves the drive's internal defect/error management and SCSI system error considerations (errors in communications between the initiator and the drive). Tools for designing a defect/error management plan are briefly outlined in this section. References to other sections are provided when necessary.

9.1 Defects and errors

Identified defects are recorded on the drive's defects list (referred to as the primary or ETF defect list). These known defects are reallocated during the initial drive format at the factory. (See Format Unit command Section 5.2.1.2 in the *SCSI-2 Interface Product Manual*, part number 77738479.) Data correction by ECC recovers data from additional flaws if they occur.

Details of the SCSI commands supported by the drive are described in the *SCSI-2 Interface Product Manual*. Also, more information about the drive's Error Recovery philosophy is presented in Section 6 of the *SCSI-2 Interface Product Manual*.

10.0 Option/configuration headers

This section describes how to configure Barracuda 2LP drives using the option headers on the drives. These option headers may be used to customize many functions of the drives for your particular system.

10.1 Drive ID/option select headers

The headers described in this section enable you to configure the drive to meet specific functionality requirements.

To configure N/ND drives, see Section 10.1.1.

To configure W/WD drives, see Section 10.1.2.

To configure WC/DC drives, refer to Section 10.1.3.

10.1.1 ST31250N/ND and ST32550N/ND configuration

Figure 19 illustrates ST31250N/ND and ST32550N/ND jumper connectors.

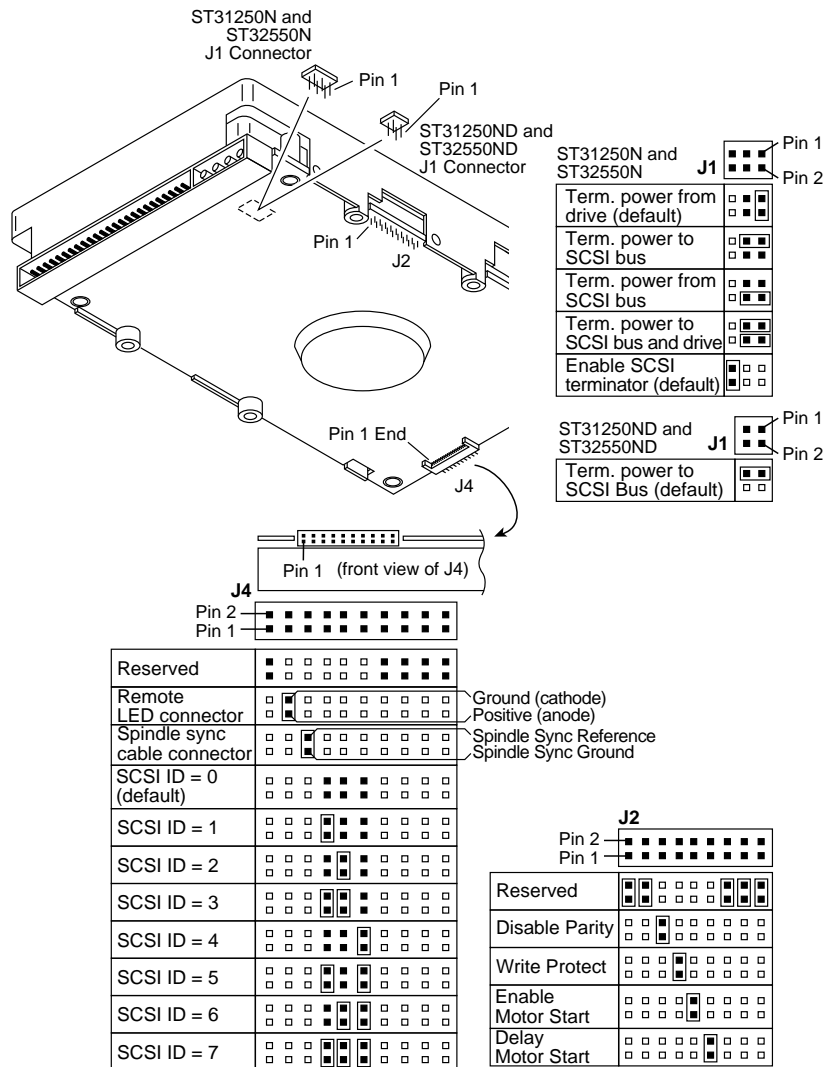


Figure 19. ST31250N/ND and ST32550N/ND jumper connectors

	Block	Pins	Function
ST31250N and ST32550N	J1	1 & 2	Terminator power from the drive (drive supplies terminator power to its own terminators).
		1 & 3	Terminator power to the SCSI bus (drive supplies power to an external terminator)
		2 & 4	Terminator power from the SCSI bus (drive receives terminator power from the SCSI bus—usually the host controller)
		1 & 3 & 2 & 4	Terminator power to the SCSI bus and drive (drive supplies termination power to its own terminators and to the SCSI bus)
		5 & 6	Enable SCSI termination. Jumper installed enables the internal termination on the drive. Jumper removed disables the drive's internal terminators.
ST31250ND and ST32550ND	J1	1 & 3	Terminator power to the SCSI bus
ST31250N/ND and ST32550N/ND	J2	1 & 2	Reserved
		3 & 4	Reserved
		5 & 6	Disable SCSI parity
		7 & 8	Write protect
		9 & 10	Enable motor start. Jumper installed causes the drive to wait for the Start Unit command from the SCSI host. No jumper installed causes the drive to look at the Delay Motor Start jumper. Default is no jumper.
		11 & 12	Delay motor start. Jumper installed causes a 10-second delay for each SCSI ID number plus a maximum power-up delay of 3 seconds before starting the spindle motor automatically. Default is no jumper.
			Example: If SCSI ID is equal to three (3) $(3 \times 10) + 3 = 33$ The drive's spindle motor starts in 33 seconds.
	J4	13 & 14	Reserved
		15 & 16	Reserved
		17 & 18	Reserved
		1 & 2	Reserved
		3 & 4	Remote LED connector Pin 3 = Anode (positive) Pin 4 = Cathode (negative)
		5 & 6	Spindle sync cable connector Pin 5 = Ground Pin 6 = Reference

7 & 8* SCSI ID bit 0
9 & 10* SCSI ID bit 1
11 & 12* SCSI ID bit 2
13 & 14 Reserved
15 & 16 Reserved
17 & 18 Reserved
19 & 20 Reserved

*See Figure 19 to set the SCSI ID.

	Block	Pins	Function
ST31250W and ST32550W	J1	1 & 2	Terminator power from the drive (drive supplies terminator power to its own terminators).
		1 & 3	Terminator power to the SCSI bus (drive supplies power to an external terminator)
		2 & 4	Terminator power from the SCSI bus (drive receives terminator power from the SCSI bus—usually the host controller)
		1 & 3 & 2 & 4	Terminator power to the SCSI bus and drive (drive supplies termination power to its own terminators and to the SCSI bus)
		5 & 6	Enable SCSI termination. Jumper installed enables the internal termination on the drive. Jumper removed disables the drive's internal terminators.
ST31250WD/ST32550WD	J1	1 & 3	Terminator power to the SCSI bus
ST31250W/WD and ST32550W/WD	J2	1 & 2	Reserved
		3 & 4	Reserved
		5 & 6	Disable SCSI parity
		7 & 8	Write protect
		9 & 10	Enable motor start. Jumper installed causes the drive to wait for the Start Unit command from the SCSI host. No jumper installed causes the drive to look at the Delay Motor Start jumper. Default is no jumper.
		11 & 12	Delay motor start. Jumper installed causes a 10-second delay for each SCSI ID number plus a maximum power-up delay of 3 seconds before starting the spindle motor automatically. Default is no jumper.
			Example: If SCSI ID is equal to three (3) $(3 \times 10) + 3 = 33$ The drive's spindle motor starts in 33 seconds.
	13 & 14	Reserved	
	15 & 16	Reserved	
	17 & 18	Reserved	
	J4	1	SCSI ID bit 0; no jumper = 0; yes jumper = 1
		2	Fault LED pin (–)
		3	SCSI ID bit 1; no jumper = 0; yes jumper = 1
		4	Vendor unique
		5	SCSI ID bit 2; no jumper = 0; yes jumper = 1
		6	SSREF(+) spindle sync
		7	SCSI ID bit 3; no jumper = 0; yes jumper = 1

	8	Unit active LED pin (-)
	9	Enable SCSI terminator (ST31250W and ST32550W drives)
	10	Ground
	11	(+) 5 volts
	12	No connection
	13–20	Reserved
J5	1 & 2*	SCSI ID bit 0
	3 & 4*	SCSI ID bit 1
	5 & 6*	SCSI ID bit 2
	7 & 8*	SCSI ID bit 3
	9 & 10	Remote unit active LED connector Pin 9 = cathode (-), pin 10 = anode (+)
	11 & 12	Spindle sync connector Pin 11 = SSREF (+), pin 12 = ground (-)

*See Figure 20 to set the SCSI ID.

10.1.3 ST31250WC/DC and ST32550WC/DC configuration

Figure 21 illustrates ST31250WC/DC and ST32550WC/DC option select jumper connectors and SCSI ID.

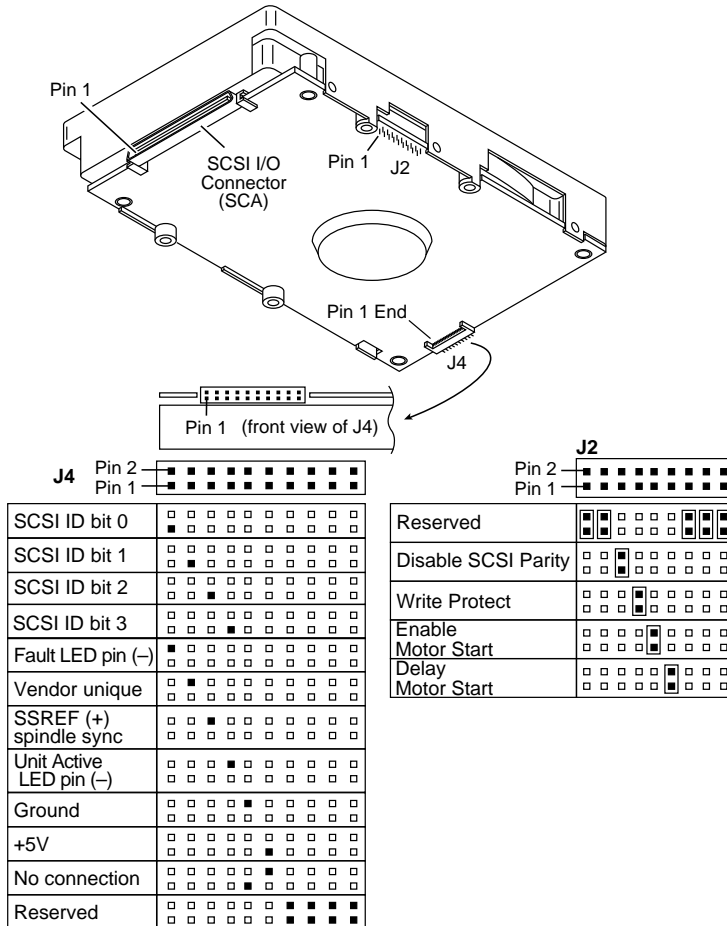


Figure 21. ST31250WC/DC and ST32550WC/DC jumper connectors

	Block	Pins	Function
ST31250WC/DC and ST32550WC/DC	J2	1 & 2	Reserved
		3 & 4	Reserved
		5 & 6	Disable SCSI parity
		7 & 8	Write protect
		9 & 10	Enable motor start. Jumper installed causes the drive to wait for the Start Unit command from the SCSI host. No jumper installed causes the drive to look at the Delay Motor Start jumper. Default is no jumper.

11 & 12 Delay motor start. Jumper installed causes a 10-second delay for each SCSI ID number plus a maximum power-up delay of 3 seconds before starting the spindle motor automatically. Default is no jumper.

Example:

If SCSI ID is equal to three (3)

$$(3 \times 10) + 3 = 33$$

The drive's spindle motor starts in 33 seconds.

13 & 14 Reserved

15 & 16 Reserved

17 & 18 Reserved

J4	1	SCSI ID bit 0; no jumper = 0; yes jumper = 1
	2	Fault LED pin (-)
	3	SCSI ID bit 1; no jumper = 0; yes jumper = 1
	4	Vendor unique
	5	SCSI ID bit 2; no jumper = 0; yes jumper = 1
	6	SSREF(+) spindle sync
	7	SCSI ID bit 3; no jumper = 0; yes jumper = 1
	8	Unit active LED pin (-)
	9	No connection
	10	Ground
	11	(+) 5 volts
	12	No connection
	13–20	Reserved

SCSI ID	Bit 3	Bit 2	Bit 1	Bit 0
0	0	0	0	0
1	0	0	0	1
2	0	0	1	0
3	0	0	1	1
4	0	1	0	0
5	0	1	0	1
6	0	1	1	0
7	0	1	1	1
8	1	0	0	0
9	1	0	0	1
10	1	0	1	0
11	1	0	1	1
12	1	1	0	0
13	1	1	0	1
14	1	1	1	0
15	1	1	1	1

Default SCSI ID = 0

10.2 Synchronized spindles interface

The synchronized spindles interface (SSI) allows several drives operating from the same host to operate their spindles at a synchronized rotational rate. Details of the electrical and physical interfaces follow in Section 10.2.1. The system operation is described in Section 5.7.

10.2.1 Electrical description

The electrical interface consists of one digital TTL reference index signal and ground. The reference index signal (SSREF+) is an output if the drive is configured as a master and is an input otherwise. The reference index signal is connected from drive to drive in a daisy-chain fashion as shown in Figure 4.

10.2.1.1 Drivers and receivers

Figure 22 shows a diagram of the driver/receiver circuit. The driver circuits have the following electrical specifications:

Negated (false): 0.V to +0.4V @ I = -24 mA (max)

Asserted (true): +2.24V to +5.25V @ I = +250 μ A

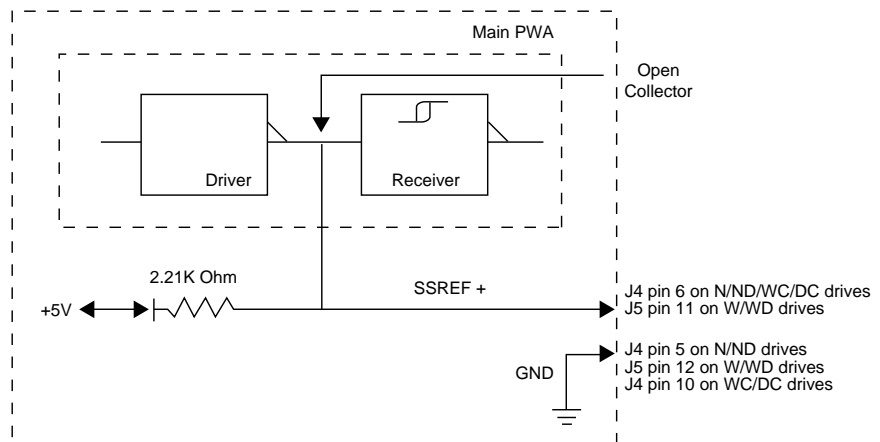


Figure 22. SCSI reference index signal driver/receiver combination

10.2.1.2**Termination**

The reference index signal (SSREF+) is terminated with a 2.21K ohm resistor. Each single-ended drive has a terminator resistor located on the main PCB. The terminator resistor is not removable and is always in the circuit. A diode prevents current backfeed.

10.2.1.3**Physical interface****ST31250N/ND and ST32550N/ND drives**

Dimensions of the ST31250N/ND and ST32550N/ND J4 connector mounted on the main PCB to interconnect the drives are shown in Figure 23. It is a 20-pin, 10-position gold 2 mm header type connector. Only pins 5 and 6 are used for connecting the reference index signal cable, as shown in Figure 19. Pin 6 is SSREF+ and pin 5 is ground.

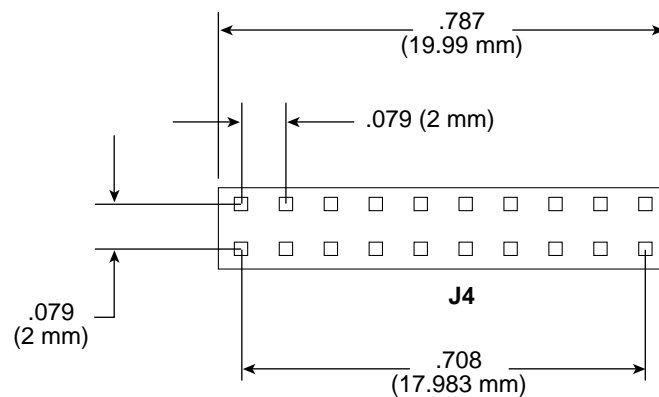


Figure 23. ST31250N/ND and ST32550N/ND configuration select header

ST31250W/WD and ST32550W/WD drives

Dimensions of the ST31250W/WD and ST32550W/WD J5 connector mounted on the main PCB to interconnect the drives are shown in Figure 24. It is a 12-pin, 6-position gold 2 mm header type connector. Only pins 11 and 12 are used for connecting the reference index signal cable, as shown in Figure 20. Pin 11 is SSREF+ and pin 12 is ground.

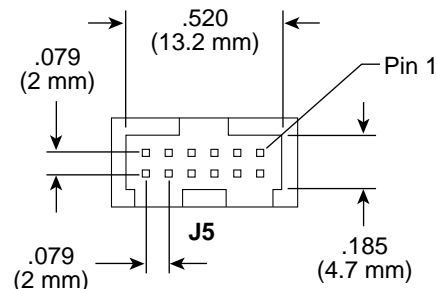


Figure 24. ST31250W/WD and ST32550W/WD configuration select header

ST31250WC/DC and ST32550WC/DC drives

Dimensions of the ST31250WC/DC and ST32550WC/DC J4 connector mounted on the main PCB to interconnect the drives are shown in Figure 25. It is a 20-pin, 10-position gold 2 mm header type connector. Only pins 6 and 10 are used for connecting the reference index signal cable, as shown in Figure 21. Pin 6 is SSREF+ and pin 10 is ground.

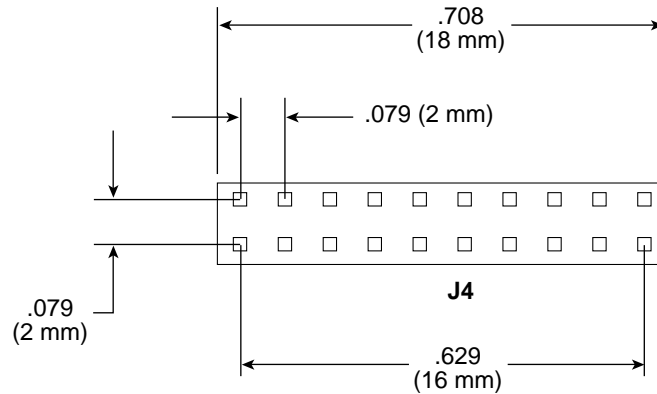


Figure 25. ST31250WC/DC and ST32550WC/DC configuration select header

10.3

Grounding

Signal ground (PCB) and HDA ground are connected together in the Barracuda 2LP family drives— Do not separate this connection. Maximizing the contact area between HDA ground and system ground may reduce radiated emissions. If you do not want the system chassis to be connected to the HDA/PCB ground, you must provide a nonconductive (electrically isolating) method of mounting the drive in the host equipment. Increased radiated emissions may result if you do not provide the maximum surface area ground connection between system ground and drive ground. This is the system designer's and integrator's responsibility.

11.0 Interface requirements

This section describes the Barracuda 2LP interface requirements.

11.1 General description

The major portion of the interface requirements/implementation is described in the *SCSI-2 Interface Product Manual* (part number 77738479).

11.2 SCSI interface messages supported

Table 1 lists the messages supported by the Barracuda SCSI-1 and SCSI-2 modes. ASA I is Seagate's first generation of advanced SCSI architecture firmware. ASA II is Seagate's second generation of advanced SCSI architecture firmware.

Table 1. SCSI interface messages supported

Message name	Msg code	Supported by		
		ASA I SCSI-1	ASA I SCSI-2	ASA II SCSI-2
Abort	06h	Y	Y	Y
Abort tag	0Dh	Y	Y	Y
Bus device reset	0Ch	Y	Y	Y
Clear queue	0Eh	N	Y	Y
Command complete	00h	Y	Y	Y
Continue I/O Process	12h	N	N	Y
Disconnect	04h	Y	Y	Y
Extended messages	01h***	Y	Y	Y
Identify	80h-FFh	Y	Y	Y
Ignore wide residue (two bytes)	23h	N	N	N
Initiate recovery	0Fh	N	N	N
Initiator detected error	05h	Y	Y	Y
Linked command complete	0Ah	Y	Y	Y
Linked command complete with flag	0Bh	Y	Y	Y
Message parity error	09h	Y	Y	Y
Message reject	07h	Y	Y	Y
Modify data pointer	***	N	N	N
No operation	08h	Y	Y	Y
Queue tag messages (two bytes)				
Head of queue tag	21h	N	Y	Y
Ordered queue tag	22h	N	Y	Y
Simple queue tag	20h	N	Y	Y
Release recovery	10h	N	N	N
Restore pointers	03h	Y	Y	Y
Save data pointer	02h	Y	Y	Y
Synchronous data transfer request	***	Y	Y	Y
Target transfer disable	13h	N	N	Y
Terminate I/O process	11h	N	N	Y
Wide data transfer request	***	N	Y	Y

*** Extended messages (see the *SCSI-2 Interface Product Manual*)

11.3 SCSI interface commands supported

Table 2 lists the SCSI interface commands supported in SCSI-1 and SCSI-2 modes. Barracuda 2LP family drives can be changed back and forth between SCSI-1 and SCSI-2 modes, using the Change Definition command. Standard OEM drives are shipped set to operate in SCSI-2 mode.

Table 2. Supported commands

Command name	Command code	Supported by		
		ASA I SCSI-1	ASA I SCSI-2	ASA II SCSI-2
Change Definition	40h	Y	Y	Y
Compare	39h	N	N	N
Copy	18h	N	N	N
Copy and Verify	3Ah	N	N	N
Format Unit [1]	04h	Y	Y	Y
Inquiry	12h	Y	Y	Y
Date Code Page		N	Y	Y
Firmware Numbers Page		N	Y	Y
Implemented Operating Def. Page		N	Y	Y
Jumper Settings Page		N	Y	Y
Unit Serial Number Page		N	Y	Y
Vital Product Data Page		N	Y	Y
Lock-Unlock Cache	36h	N	N	N
Log Select	4Ch	N	N	N
Log Sense	4Dh	N	N	N
Mode Select	15h	Y	Y	Y
Same pages as Mode Sense command				
Mode Select (10)	55h	N	Y	Y
Mode Sense	1Ah	Y	Y	Y
Caching Parameters Page (08h)		N	Y	Y
Control Mode Page (0Ah)		N	Y	Y
Disconnect/Reconnect Control Page (02h)		Y	Y	Y
Error Recovery Page (01h)		Y	Y	Y
Format Page (03h)		Y	Y	Y
Notch and Partition Page (0C) (media zones)		N	Y	Y
Power Condition Page (0D)		N	N	Y
Rigid Disc Drive Geometry Page (04h)		Y	Y	Y
Unit Attention Page (00h)		Y	Y	Y
Verify Error Recovery Page (07h)		N	Y	Y
Mode Sense (10)	5Ah	N	Y	Y
Not used	42–4Bh	N	N	N
Not used	4E–54	N	N	N
Not used	58–59	N	N	N
Not used	5B–5F	N	N	N
Not used	60–BFh	N	N	N
Not used	C0–DFh	N	N	N
Not used	E0–FFh	N	N	N
Prefetch	34h	N	N	N

Command name	Command code	Supported by		
		ASA I SCSI-1	ASA I SCSI-2	ASA II SCSI-2
Read	08h	Y	Y	Y
Read Buffer	3Ch	Y	Y	Y
Read Capacity	25h	Y	Y	Y
Read Defect Data	37h	Y	Y	Y
Read Extended	28h	Y	Y	Y
Read Long	3Eh	Y	Y	Y
Reassign Blocks	07h	Y	Y	Y
Receive Diagnostic Results	1Ch	Y	Y	Y
Supported Diagnostics Pages		Y	Y	Y
Translate Page		Y	Y	Y
Release	17h	Y	Y	Y
Release (10)	57h	N	Y	Y
Request Sense	03h	Y	Y	Y
Actual Retry Count Bytes		N	Y	Y
Extended Sense		Y	Y	Y
Field Pointer Bytes		Y	Y	Y
Reserve	16h	Y	Y	Y
Extent Reservation		N	N	N
Third Party Reserve		Y	Y	Y
Reserve (10)	56h	N	Y	Y
Rezero Unit	01h	Y	Y	Y
Search Data Equal	31h	N	N	N
Search Data High	30h	N	N	N
Search Data Low	32h	N	N	N
Seek	0Bh	Y	Y	Y
Seek Extended	2Bh	Y	Y	Y
Send Diagnostics Page	1Dh	Y	Y	Y
Supported Diagnostics Pages		Y	Y	Y
Translate Page		Y	Y	Y
Set Limits	33h	N	N	N
Start Unit/Stop Unit	1Bh	Y	Y	Y
Synchronize Cache	35h	N	Y	Y
Test Unit Ready	00h	Y	Y	Y
Verify	2Fh	Y	Y	Y
Write	0Ah	Y	Y	Y
Write and Verify	2Eh	Y	Y	Y
Write Buffer	3Bh	Y	Y	Y
Firmware Download Option [2]		Y	Y	Y
Write Extended	2Ah	Y	Y	Y
Write Long	3Fh	Y	Y	Y
Write Same	41h	N	Y	Y

[1] Format to any even number of bytes per sector from 180 to 4,096.

[2] Warning: A SCSI Reset or power loss during flash programming can result in firmware corruption.

11.3.1 Inquiry data

Tables 3 and 4 list the Inquiry command data that the drive should return to the initiator per the format provided in the *SCSI-2 Interface Product Manual*.

Table 3. Barracuda 2LP family drive inquiry data–ASA I

Bytes	Data (hex)																
0-15	00	00	**	***	8F	00	00	[1A]	53	45	41	47	41	54	45	20	Vendor ID
16-31	[53	54	33	32	35	35	30	4E]	20	20	20	20	20	20	20	20	Product ID
32-47	R#	R#	R#	R#	S#	S#	S#	S#	S#	S#	S#	S#	00	00	00	00	
48-63	00	00	00	00	00	00	00	00	00	00	00	00	00	00	00	00	
64-79	00	00	00	00	00	00	00	00	00	00	00	00	00	00	00	00	
80-95	00	00	00	00	00	00	00	00	00	00	00	00	00	00	00	00	
96-111	00	43	6F	70	79	72	69	67	68	74	20	28	63	29	20	31*	*Copyright
112-127	39*	39*	35*	20	53	65	61	67	61	74	65	20	41	6C	6C	20	notice
128-143	72	69	67	68	74	73	20	72	65	73	65	72	76	65	64	20	
144-147	D#	D#	D#	D#													

Table 4. Barracuda 2LP family drive inquiry data–ASA II

Bytes	Data (hex)																
	0	1	2	3	4	5	6	7	8	9	A	B	C	D	E	F	ASCII
0-15	00	00	02	02	8F	00	00	[1E]	53	45	41	47	41	54	45	20	Vendor ID
16-31	[53	54	33	32	35	35	30	4E]	20	20	20	20	20	20	20	20	Product ID
32-47	R#	R#	R#	R#	S#	S#	S#	S#	S#	S#	S#	S#	00	00	00	00	
48-63	00	00	00	00	00	00	00	00	00	00	00	00	00	00	00	00	
64-79	00	00	00	00	00	00	00	00	00	00	00	00	00	00	00	00	
80-95	00	00	00	00	00	00	00	00	00	00	00	00	00	00	00	00	
96-111	00	43	6F	70	79	72	69	67	68	74	20	28	63	29	20	31*	*Copyright
112-127	39*	39*	35*	20	53	65	61	67	61	74	65	20	41	6C	6C	20	notice
128-143	72	69	67	68	74	73	20	72	65	73	65	72	76	65	64	20	
144-147	41	53	41	32													

* Copyright year (changes with actual year)

** 01 = SCSI-1 implemented

02 = SCSI-2 implemented (default)

The drive can be changed between these two configurations.

*** 01 = Response data is in SCSI-1 format and has compatibility with Common Command Set data

02 = Response data is in SCSI-2 format (default)

The drive can be changed between these two configurations.

R# Four ASCII digits representing the last four digits of the product firmware release number

S# Eight ASCII digits representing the eight digits of the product serial number

D# Reserved 0000

[1A] Byte 7 is 3A for W/WD/WC/DC drives and 1A for N/ND drives.

[] Bytes 16 through 31 reflect the model of the drive (ST32550N/ND drive shown).

ST31250N/ND codes: 53 54 33 31 32 35 30 4E 20 20 20 20 20 20 20 20

ST31250W/WD/WC/DC codes: 53 54 33 31 32 35 30 57 20 20 20 20 20 20 20 20

ST32550W/WD/WC/DC codes: 53 54 33 32 35 35 30 57 20 20 20 20 20 20 20 20

Note. Code 20 indicates an empty-character position.

11.3.2 Mode sense data

Tables 5, 6, 7, and 8 list the data-byte values the drive returns in response to the Mode Sense command pages for SCSI-1 and SCSI-2 implementation (see the *SCSI-2 Interface Product Manual*).

Definitions:

DEF = Default value. Standard drives are shipped configured this way.

CHG = Changeable bits; indicates if default value is changeable.

Table 5. Mode sense data, ST31250 default values–ASA I (SCSI-1 implementation)

Bytes	00	01	02	03	04	05	06	07	08	09	10	11	12	13	14	15	16	17	18	19	20	21	22	23	
Mode Sense Data	63	00	10	08																					
	00	1E	6D	35	00	00	02	00																	
Mode Page	← Mode page headers and parameter data bytes →																								
DEF	01	81	06	04	1B	30	00	00	FF																
CHG	01	81	06	EF	FF	00	00	00	00																
DEF	02	82	0A	80	80	00	0A	00	00	00	00	00													
CHG	02	82	0A	FF	FF	00	00	00	00	00	00	00													
DEF	03	83	16	00	05	00	03	00	00	00	05	00	6C	02	00	00	01	00	0A	00	16	40	00	00	00
CHG	03	83	16	FF	FF	FF	FF	00	00	FF	FF	00	00	00	00	00	00	00	00	00	00	00	00	00	00
DEF	04	84	12	00	0E	80	05	00	00	00	00	00	00	00	00	00	00	00	00	00	00	00	00	00	00
CHG	04	84	12	00	00	00	00	00	00	00	00	00	00	00	00	00	00	00	00	03	FF	00			
DEF	08	88	12	10	00	FF	FF	00	00	00	4F	01	3C	80	03	00	00	00	00	00	00	00	00	00	00
CHG	08	88	12	BD	00	00	00	FF	FF	FF	FF	00	00	A0	FF	00	00	00	00	00	00	00	00	00	00
DEF	00	80	02	00	00																				
CHG	00	80	02	77	00																				

Table 6. Mode sense data, ST32550 default values–ASA I (SCSI-1 implementation)

Bytes	00	01	02	03	04	05	06	07	08	09	10	11	12	13	14	15	16	17	18	19	20	21	22	23	
Mode Sense Data	63	00	00	08																					
	00	3F	FF	0A	00	00	02	00																	
Mode Page	← Mode page headers and parameter data bytes →																								
DEF	01	81	06	04	1B	30	00	00	FF																
CHG	01	81	06	EF	FF	00	00	00	00																
DEF	02	82	0A	80	80	00	0A	00	00	00	00	00													
CHG	02	82	0A	FF	FF	00	00	00	00	00	00	00													
DEF	03	83	16	00	0B	00	09	00	00	00	16	00	6D	02	00	00	01	00	09	00	15	40	00	00	00
CHG	03	83	16	FF	FF	FF	FF	00	00	FF	FF	00	00	00	00	00	00	00	00	00	00	00	00	00	00
DEF	04	84	12	00	0D	B7	0B	00	00	00	00	00	00	00	00	00	00	00	00	00	00	00	00	00	00
CHG	04	84	12	00	00	00	00	00	00	00	00	00	00	00	00	00	00	00	00	03	FF	00			
DEF	08	88	12	10	00	FF	FF	00	00	00	4F	01	3C	80	03	00	00	00	00	00	00	00	00	00	00
CHG	08	88	12	BD	00	00	00	FF	FF	FF	FF	00	00	A0	FF	00	00	00	00	00	00	00	00	00	00
DEF	00	80	02	00	00																				
CHG	00	80	02	77	00																				

Table 7. Mode sense data, ST31250 default values–ASA I (SCSI-2 implementation)

Bytes	00	01	02	03	04	05	06	07	08	09	10	11	12	13	14	15	16	17	18	19	20	21	22	23
Mode Sense Data	9F 00	10 1E	08 6D																					
Mode Page																								
	← Mode page headers and parameter data bytes →																							
DEF	01 81	0A 04	1B 30	00 00	00 00	00 00	03 00	00 FF	00 FF															
CHG	01 81	0A EF	FF 00	00 00	00 00	00 00	FF 00	00 00	00 00															
DEF	02 82	0E 80	80 00	0A 00	00 00	00 00	00 00	00 00	00 00	00 00	00 00	00 00	00 00	00 00	00 00	00 00	0A 00	16 00	40 00	00 00	00 00	00 00	00 00	
CHG	02 82	0E FF	FF 00	00 00	00 00	00 00	00 00	00 00	00 00	00 00	00 00	00 83	00 00	00 00										
DEF	03 83	16 00	05 00	03 00	00 00	00 00	00 00	00 00	05 00	00 6C	02 00	00 00	00 00	00 01	00 0A	00 16	40 00	00 00	00 00	00 00	00 00	00 00	00 00	
CHG	03 83	16 FF	FF 00	FF 00	FF 00	00 00	00 00	FF 00	FF 00	00 00	00 00	00 00	00 00	00 00	00 00	00 00	00 00	00 00	00 00	00 00	00 00	00 00	00 00	
DEF	04 84	16 00	0E 80	05 00	00 00	00 00	00 00	00 00	00 00	00 00	00 00	00 00	00 00	00 00	00 00	00 00	00 00	00 00	00 00	00 1C	20 00	00 00	00 00	
CHG	04 84	16 00	00 00	00 00	00 00	00 00	00 00	00 00	00 00	00 00	00 00	00 00	00 00	00 00	00 00	00 03	FF 00	00 00	00 00	00 00	00 00	00 00	00 00	
DEF	07 87	0A 00	1B 30	00 00	00 00	00 00	00 00	00 00	00 00	FF FF														
CHG	07 87	0A 0F	FF 00	00 00	00 00	00 00	00 00	00 00	00 00	00 00														
DEF	08 88	12 10	00 FF	FF 00	00 00	00 00	00 00	00 4F	01 3C	80 03	00 00	00 00	00 00	00 00	00 00	00 00	00 00	00 00	00 00					
CHG	08 88	12 BD	00 00	00 00	FF FF	FF FF	FF FF	FF FF	00 00	A0 03	00 00	00 00	00 00	00 00	00 00	00 00	00 00	00 00	00 00					
DEF	0A 8A	0A 02	10 00	00 00	00 00	00 00	00 00	00 00	00 00	00 00														
CHG	0A 8A	0A 03	01 00	00 00	00 00	00 00	00 00	00 00	00 00	00 00														
DEF	0C 8C	16 80	00 00	1D 00	00 00	00 00	00 00	00 00	00 00	00 00	00 00	00 00	00 0E	7F 04	00 00	00 00	00 00	00 00	00 00	00 00	00 00	10 00	00 00	
CHG	0C 8C	16 40	00 00	00 00	FF FF	FF 00	00 00	00 00	00 00	00 00	00 00	00 00	00 00	00 00	00 00	00 00	00 00	00 00	00 00	00 00	00 00	00 00	00 00	
DEF	00 80	02 00	00 00																					
CHG	00 80	02 77	00 00																					

Table 8. Mode sense data, ST32550 default values–ASA I (SCSI-2 implementation)

Bytes	00	01	02	03	04	05	06	07	08	09	10	11	12	13	14	15	16	17	18	19	20	21	22	23
Mode Sense Data	9F 00	10 3F	08 FF	0A 00	00 00	02 00																		
Mode Page																								
	← Mode page headers and parameter data bytes →																							
DEF	01 81	0A 04	1B 30	00 00	00 00	00 00	03 00	00 FF	00 FF															
CHG	01 81	0A EF	FF 00	00 00	00 00	00 00	FF 00	00 00	00 00															
DEF	02 82	0E 80	80 00	0A 00	00 00	00 00	00 00	00 00	00 00	00 00	00 00	00 00	00 00	00 00	00 00	00 00	00 00	00 00	00 00	00 00	00 00	00 00	00 00	
CHG	02 82	0E FF	FF 00	00 00	00 00	00 00	00 00	00 00	00 00	00 00	00 00	00 80	00 00	00 00										
DEF	03 83	16 00	0B 00	09 00	00 00	00 00	00 00	00 16	00 6D	02 00	00 00	00 00	00 01	00 09	00 15	40 00	00 00	00 00	00 00	00 00	00 00	00 00	00 00	
CHG	03 83	16 FF	FF 00	FF 00	FF 00	00 00	00 00	FF 00	FF 00	00 00	00 00	00 00	00 00	00 00	00 00	00 00	00 00	00 00	00 00	00 00	00 00	00 00	00 00	
DEF	04 84	16 00	0D B7	0B 00	00 00	00 00	00 00	00 00	00 00	00 00	00 00	00 00	00 00	00 00	00 00	00 00	00 00	00 00	00 00	00 1C	20 00	00 00	00 00	
CHG	04 84	16 00	00 00	00 00	00 00	00 00	00 00	00 00	00 00	00 00	00 00	00 00	00 00	00 00	00 00	00 03	FF 00	00 00	00 00	00 00	00 00	00 00	00 00	
DEF	07 87	0A 00	1B 30	00 00	00 00	00 00	00 00	00 00	00 00	FF FF														
CHG	07 87	0A 0F	FF 00	00 00	00 00	00 00	00 00	00 00	00 00	00 00														
DEF	08 88	12 10	00 FF	FF 00	00 00	00 00	00 00	00 4F	01 3C	80 03	00 00	00 00	00 00	00 00	00 00	00 00	00 00	00 00	00 00	00 00	00 00	00 00	00 00	
CHG	08 88	12 BD	00 00	00 00	FF FF	FF FF	FF FF	FF FF	00 00	A0 03	00 00	00 00	00 00	00 00	00 00	00 00	00 00	00 00	00 00	00 00	00 00	00 00	00 00	
DEF	0A 8A	0A 02	10 00	00 00	00 00	00 00	00 00	00 00	00 00	00 00														
CHG	0A 8A	0A 03	01 00	00 00	00 00	00 00	00 00	00 00	00 00	00 00														
DEF	0C 8C	16 80	00 00	1A 00	00 00	00 00	00 00	00 00	00 00	00 00	00 00	00 00	00 0D	B6 0A	00 00	00 00	00 00	00 00	00 00	00 00	00 00	10 00	00 00	
CHG	0C 8C	16 40	00 00	00 00	FF FF	FF 00	00 00	00 00	00 00	00 00	00 00	00 00	00 00	00 00	00 00	00 00	00 00	00 00	00 00	00 00	00 00	00 00	00 00	
DEF	00 80	02 00	00 00																					
CHG	00 80	02 77	00 00																					

Table 9. Mode sense data, ST31250 default values–ASA II (SCSI-2 implementation)

Reserved for ST31250 ASA II (SCSI-2 mode sense data)

Table 10. Mode sense data, ST32550 default values–ASA II (SCSI-2 implementation)

Bytes	00	01	02	03	04	05	06	07	08	09	10	11	12	13	14	15	16	17	18	19	20	21	22	23
Mode Sense AB	00	10	08																					
Data 00	3F	FF	0A	00	00	02	00																	
Mode Page	← Mode page headers and parameter data bytes →																							
DEF 01	81	0A	04	21	30	00	00	00	03	00	FF	FF												
CHG 01	81	0A	EF	FF	00	00	00	00	FF	00	00	00												
DEF 02	82	0E	80	80	00	0A	00	00	00	00	00	00	00	00	00	00	00	08	00	10	40	00	00	00
CHG 02	82	0E	FF	FF	00	00	00	00	00	00	00	00	87	00	00	00								
DEF 03	83	16	00	0B	00	09	00	00	00	16	00	6D	02	00	00	01	00	00	00	10	40	00	00	00
CHG 03	83	16	FF	FF	FF	FF	00	00	FF	FF	00	00	00	00	00	00	00	00	00	00	00	00	00	00
DEF 04	84	16	00	0D	B7	0B	00	00	00	00	00	00	00	00	00	00	00	00	00	00	1C	20	00	00
CHG 04	84	16	00	00	00	00	00	00	00	00	00	00	00	00	00	00	00	03	FF	00	00	00	00	00
DEF 07	87	0A	00	21	30	00	00	00	00	00	FF	FF												
CHG 07	87	0A	0F	FF	00	00	00	00	00	00	00	00												
DEF 08	88	12	10	00	FF	FF	00	00	01	9F	01	C7	80	02	00	00	00	00	00	00	00	00	00	00
CHG 08	88	12	BD	00	00	00	FF	FF	FF	FF	00	00	A0	FF	00	00	00	00	00	00	00	00	00	00
DEF 0A	8A	0A	02	10	00	00	00	00	00	00	00	00												
CHG 0A	8A	0A	03	F1	00	00	00	00	00	00	00	00												
DEF 0C	8C	16	80	00	00	1A	00	00	00	00	00	00	00	0D	B6	0A	00	00	00	00	00	00	10	00
CHG 0C	8C	16	40	00	00	00	FF	FF	00	00	00	00	00	00	00	00	00	00	00	00	00	00	00	00
DEF 8D	0A	00	02	00	00	00	00	00	00	00	00	00												
CHG 8D	0A	00	02	00	00	00	00	00	00	00	00	00												
DEF 00	80	02	00	00																				
CHG 00	80	02	77	80																				

11.4 SCSI bus conditions and miscellaneous features supported

Asynchronous SCSI bus conditions supported by the drive are listed in Table 11. These conditions cause the SCSI device to perform certain actions and can alter the phase sequence. Other miscellaneous operating features supported are also listed here.

Table 11. SCSI bus conditions and other miscellaneous features

Condition/feature supported by:

ASA I SCSI-1	ASA I SCSI-2	ASA II SCSI-2	Conditions or feature
Y	Y	y	Attention condition
Y	Y	Y	Reset condition
N	Y	Y	Contingent allegiance condition
N	Y	Y	Asynchronous event notification
Y	Y	Y	Arbitrating system
Y	Y	Y	Disconnect/reconnect
Y	Y	Y	Asynchronous data transfer
Y	Y	Y	Synchronous data transfer
Y	Y	Y	Synchronized (locked) spindle operation
Y	Y	Y	Differential interface circuits available
Y	Y	Y	Segmented caching
N	N	N	Zero latency read
N	Y	Y	Queue tagging (up to 64 queue tags supported)
N	Y	Y	Deferred error handling
Y	Y	Y	Parameter rounding (controlled by round bit in Mode Select page 0)
N	Y	Y	Reporting actual retry count in extended sense bytes 15, 16, and 17
N	N	N	Adaptive caching
Y	Y	Y	SMP = 1 in Mode Select command needed to save RPL and rotational offset bytes (in Table 5.2.1-25 of <i>SCSI-2 Interface Product Manual, Vol. 2</i>)

ASA I SCSI-1	ASA I SCSI-2	ASA II SCSI-2	Status supported
Y	Y	Y	Good
Y	Y	Y	Check condition
Y	Y	Y	Condition met/good
Y	Y	Y	Busy
Y	Y	Y	Intermediate/good
Y	Y	Y	Intermediate/condition met/good
Y	Y	Y	Reservation conflict
N	Y	Y	Queue full

11.5 Synchronous data transfer

The data transfer period to be used by the drive and the initiator is established by an exchange of messages during the Message Phase of operation. See the section on message protocol in the *SCSI-2 Interface Product Manual*.

11.5.1 Synchronous data transfer periods supported

Table 12 lists the synchronous data transfer periods supported by the drives.

Table 12. Synchronous data transfer periods

M (decimal)	Transfer period (M times 4 nanoseconds)	Transfer rate (mega transfers/second)
25	100	10.0
31	125	8.0
37	150	6.66
50	200	5.0
62	250	4.0
75	300	3.33
87	350	2.86
100	400	2.5

11.5.2 REQ/ACK offset

The maximum REQ/ACK offset supported by Barracuda 2LP drives is 15 (0Fh).

11.6 DC cable and connector

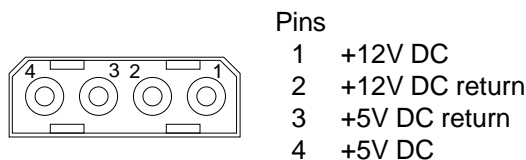
Note. This section applies only to N/ND/W/WD models. WC and DC models do not have a 4-pin power connector and do not use DC power cables.

The drive receives DC power through a 4-pin connector mounted at the rear of the main PCB. Recommended part numbers of the mating connector are listed below, but equivalent parts may be used.

Table 13. Mating connector parts

Type of cable	Connector	Contacts (20-14 AWG)
14 AWG	AMP 1-480424-0	AMP 60619-4 (loose piece) AMP 61117-4 (strip)

Note. The output of a power supply must meet SELV (safety extra low voltage) as defined in IEC 950.



11.7 SCSI physical interface

Figures 26, 27, and 28 illustrate the physical interface on Barracuda 2LP drives. Locations of the DC power connector, the SCSI interface connector, and the drive select and option select headers are shown.

Details of the physical, electrical, and logical characteristics are given below. The SCSI operational aspects of Seagate drive interfaces are provided in the *SCSI-2 Interface Product Manual*.

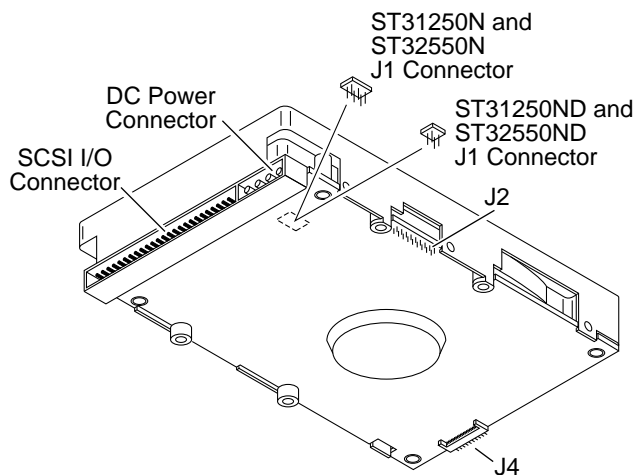


Figure 26. ST31250N/ND and ST32550N/ND physical interface

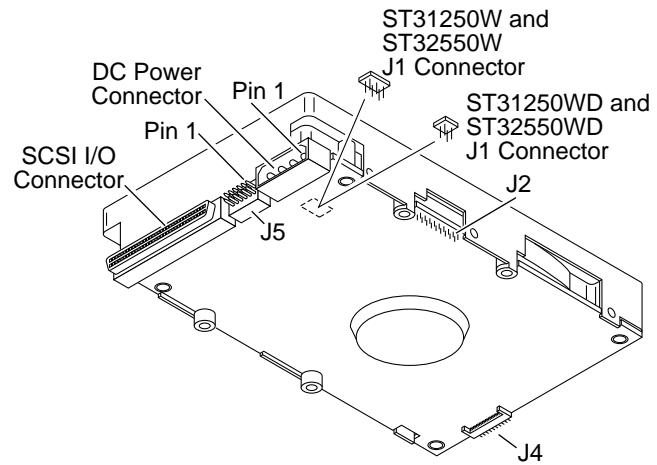


Figure 27. ST31250W/WD and ST32550W/WD physical interface

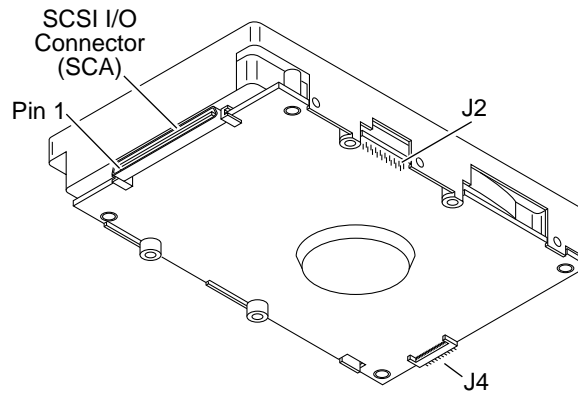


Figure 28. ST31250WC/DC and ST32550WC/DC physical interface

11.7.1 Physical characteristics

This section defines the connectors, cables, signals, and terminators needed to implement the SCSI interface.

11.7.1.1 Physical description

You can daisy chain multiple SCSI devices on a common cable if each device has the same type of drivers and receivers (all single-ended or all differential). Devices having single-ended interface circuits cannot be on the same daisy chain with devices having a differential interface circuit. Both ends of the cable must be terminated. All signals are common between SCSI devices. A maximum of 8 SCSI devices (including the host) may be daisy chained together when using a non-wide bus and ST31250N/ND or ST32550N/ND drives. A maximum of 16 SCSI devices (including the host) may be daisy chained together when using a wide bus and ST31250W/WD/WC/DC or ST32550W/WD/WC/DC drives.

Terminate both ends of the daisy chain, but do not terminate any intermediate SCSI device. The single-ended (ST31250N, ST31250W, ST31250WC, ST32550N, ST32550W, and ST32550WC) drives are equipped with permanently mounted IC terminators, which you can turn on or off using the Enable SCSI Terminator jumper. See Section 10.1 to locate the Enable SCSI Terminator jumper for each drive model. The differential (ST31250ND, ST31250WD, ST31250DC, ST32550ND, ST32550WD, and ST32550DC) drives do not have on-board terminators.

11.7.1.2 Cable requirements

Sections 11.7.1.2.1, 11.7.1.2.2, and 11.7.1.2.3 describe the single-ended, differential, and general cable requirements for Barracuda 2LP drives.

11.7.1.2.1 Single-ended I/O circuits (ST31250N, ST31250W, ST31250WC, ST32550N, ST32550W, and ST32550WC drives)

The maximum total cable length for use with drives having single-ended I/O driver and receiver circuits is 6 meters (19.7 feet) when operating at line data transfer rates of 5 Mbytes/second or less, and 3 meters (9.85 feet) when operating at transfer rates greater than 5 Mbytes/second (fast SCSI). A stub length of no more than 0.1 meter (0.33 feet) is allowed off the mainline interconnection with any connected equipment. An ideal impedance match with cable terminators implies a cable characteristic impedance of 132 ohms. Single-ended I/O cable pin assignments for ST31250N and ST32550N drives are shown in Table 17. Single-ended I/O cable pin assignments for ST31250W and ST32550W drives are shown in Table 19. Single-ended pin assignments for ST31250WC and ST32550WC drives are shown in Table 21. ST31250WC and ST32550WC drives do not use I/O cables; they are designed to plug directly into a back-panel connector.

11.7.1.2.2 Differential I/O circuits (ST31250ND, ST31250WD, ST31250DC, ST32550ND, ST32550WD, and ST32550DC drives)

The maximum total cable length for use with drives having differential I/O drivers and receiver circuits is 25 meters (82 feet). A stub length of no more than 0.2 meter (0.66 foot) is allowed off the mainline interconnection with any connected equipment. An ideal impedance match with cable terminators

implies a cable characteristic impedance of 122 ohms. Differential I/O cable pin assignments for ST31250ND and ST32550ND drives are shown in Table 18. Differential I/O cable pin assignments for ST31250WD and ST32550WD drives are shown in Table 20.

Differential I/O pin assignments for ST31250DC and ST32550DC drives are shown in Table 19. WC and DC model drives do not require an I/O cable. They are designed to be connected directly to a back panel .

11.7.1.2.3

General cable characteristics

Note. Use only non-shielded cable connectors with ST31250N/ND and ST32550N/ND drives. Use a 50-conductor flat cable or 25-conductor twisted-pair cable. Use a minimum conductor size of 28 AWG to minimize noise effects. The following non-shielded flat cables (or equivalents) may be used:

Flat cable	35M-3365-50
Twisted-pair cable	Spectra twist in flat 455-248-50

In general, cables having the characteristic impedances given in Sections 11.7.1.2.1 and 11.7.1.2.2 are not available; however, impedances that are lower are satisfactory. A characteristic impedance of 100 ohm +10% is recommended for unshielded flat or twisted-pair ribbon cable. To minimize discontinuities and signal reflections, cables of different impedances should not be used in the same bus. Your specific setup may require tradeoffs in shielding effectiveness, cable length, number of loads, transfer rates, and cost to achieve satisfactory system operation. If shielded and unshielded cables are mixed within the same SCSI bus, the effect of impedance mismatch must be carefully considered. Proper impedance matching is especially important to maintain adequate margin at fast SCSI transfer rates.

11.7.2

Connector requirements

ST31250N/ND and ST32550N/ND drives

Use a non-shielded 50-conductor cable connector consisting of two rows of 25 female contacts with adjacent centers 100 mils apart.

Recommended mating flat cable connector part numbers:

Closed end (for cable ends)	3M-3425-7000	Without strain relief,
	no center key	
	3M-3425-7050	With strain relief, no center key
Open end (in daisy chain)	Berg-66900-290	With strain relief and center key
	3M-3425-6000	Without strain relief,
	no center key	
	3M-3425-6050	With strain relief, no center key
	Berg-66900-250	With strain relief and center key

The drive device connector is a non-shielded 50-conductor connector consisting of two rows of 25 male pins with adjacent pins 100 mils apart. The connector is keyed (see Figure 31).

Recommended mating panel mount connector part number:

3M-CHE-2050-J01A10-KLE

ST31250W/WD and ST32550W/WD drives

Recommended mating wide cable connector part numbers:

AMP 786096-7, female 68-pin

AMP 1-480420-0, power connector 4 circuit housing

BERG 69307-012 (12-position, 2 x 6, 2 mm receptacle housing)

ST31250WC/DC and ST32550WC/DC drives

No cable is required. Recommended mating SCA part numbers:

AMP Vertical (SCA sequence), 80-position

787320-1 with polarization feature

787320-2 without polarization feature

AMP Vertical (Mating blind mate SCA-2), Rcpt Assembly, 80-position

787311-1 3.18 mm tail length, with polarization feature

787331-2 3.18 mm tail length, without polarization feature

787311-3 4.57 mm tail length, with polarization feature

787331-4 4.57 mm tail length, without polarization feature

11.7.3**Electrical description**

ST31250N, ST31250W, ST32550N, and ST32550W drives use single-ended interface signals. These signals must be terminated with 110 ohm active terminator circuits at each end of the total cable. Single-ended circuits use open collector or three-state drivers. ST31250N, ST31250W, ST32550N and ST32550W drives can be configured to provide the SCSI termination.

ST31250ND, ST31250WD, ST32550ND and ST32550WD drives use differential interface signals. Each of these signals must be terminated at each end of the total cable with 330 ohms to +5V and 330 ohms to ground with 150 ohms between each differential pair. All I/O circuits are open collector, three-state drivers. Differential I/O drives are shipped without terminators and have no provisions for adding terminator sockets on the PCB. You must provide external termination for these drives.

ST31250WC/DC and ST32550WC/DC drives use the single-connection attachment (SCA connector). This 80-pin connector plugs directly into a back panel or plane; no external cables are required. Active terminators on the back panel must be provided. This connector is not recommended if cabling is required.

11.7.3.1**Single-ended drivers/receivers**

Note. All single-ended terminators must be ANSI SCSI-2 alternative 2 active terminators.

Typical single-ended driver and receiver circuits for the Barracuda 2LP family are shown in Figure 28. Use terminator circuits only when the disc drive is first or last on the daisy chain. (See Note 1 following Figure 29.)

Transmitter characteristics

Single-ended drives use an ANSI SCSI compatible open-collector single-ended driver. This driver is capable of sinking a current of 48 mA with a low-level output voltage of 0.4V.

Receiver characteristics

Single-ended drives use an ANSI SCSI single-ended receiver with hysteresis gate or equivalent as a line receiver.

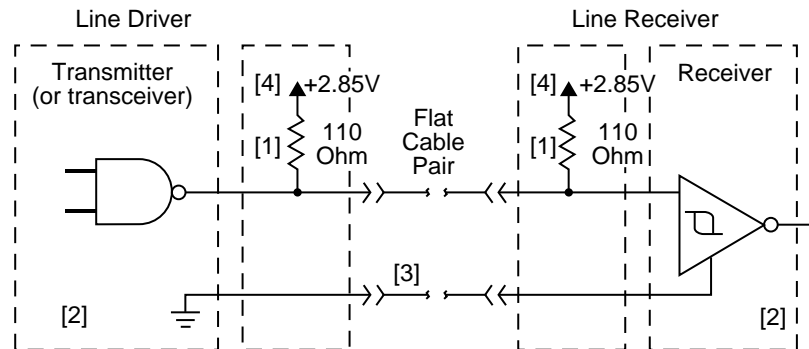


Figure 29. Single-ended transmitters and receivers

Notes:

[1] Part of active terminator circuits. Enable drive termination when it is first or last on the daisy chain.

Interface signal levels and logical sense at the drive I/O connector are defined as follows:

Logic level	Driver output	Receiver input
Negated (0)	$\geq 2.5V : \leq 5.25V$	$\geq 2.0V : < 5.25V$
Asserted (1)	$\leq 0.4V : \geq 0.0V$	$\leq 0.8V : > 0.0V$

The difference in the voltages between input and output signals is due to losses in the cable.

[2] ANSI SCSI compatible circuits.

[3] Total interface cable length should not exceed that specified in Section 11.7.1.2.1.

[4] Source of drive terminator power is VR1 which has an input source voltage selected by a jumper.

11.7.3.2

Differential drivers/receivers

Typical differential driver and receiver circuits used by ST31250ND, ST31250WD, ST32550ND and ST32550WD drives are shown in Figure 30. The differential drives have no provisions for terminator circuits.

Differential signals

All differential interface signals consist of two lines denoted +SIGNAL and -SIGNAL. A signal is true when +SIGNAL is more positive than -SIGNAL, and a signal is false when -SIGNAL is more positive than +SIGNAL. Terminate all assigned signals at each end of the cable as shown in Tables 15, 17 and 19. You must provide external termination for the differential drives.

Output characteristics

Each signal driven by differential interface drives should have the following output characteristics when measured at the disc drive's SCSI connector:

Low-level output voltage*

- = 2.0V maximum at low-level output current
- = 55 milliamps

High-level output voltage*

- = 3.0V minimum at high-level output current
- = -55 milliamps

Differential voltage

- = 1.0V minimum with common-mode voltage ranges from -7V DC to +12V DC

* Measure these voltages between the output terminal and the SCSI device's logic ground reference.

The output characteristics must additionally conform to EIA RS-485-1983.

Input characteristics

Each signal received by differential interface drives should have the following input characteristics when measured at the disc drive's SCSI connector:

Input current on either input

- = +2.0 milliamps maximum
- (includes both receivers and passive drivers)

This requirement is met with the input voltage varying between -7V DC and +12V DC, with power on or off, and with the hysteresis equaling 35 mV minimum.

The input characteristics must additionally conform to EIA RS-485-1983.

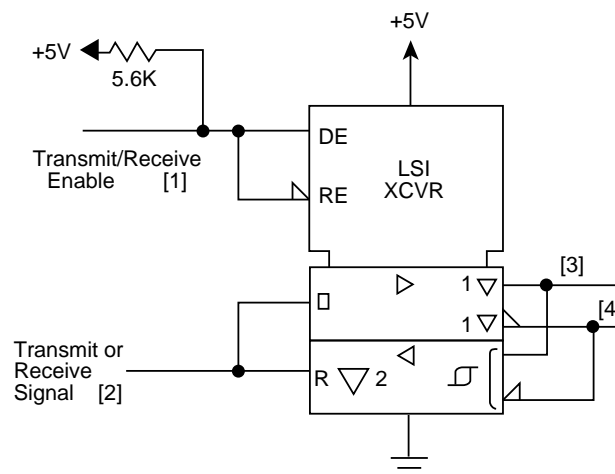


Figure 30. Typical differential I/O line transmitter/receiver and terminators

Notes:

- [1] Positive logic enables transmitter (+5V = asserted).
Negative logic enables receivers (0V = asserted).
- [2] Negative logic signal (0V = asserted).

- [3] Total interface cable length should not exceed 82.1 feet (25 meters) from the host to the end of the daisy chain.
- [4] You must provide terminators.

11.7.3.3

Terminator requirements

ST31250N, ST31250W, ST32550N and ST32550W drives

Internal disc drive I/O termination consists of active circuits contained in permanently mounted IC terminator packs on the main PCB. All single initiator/single target (non-daisy-chain) applications require you to terminate the initiator and drive.

You must terminate both ends of the SCSI bus with ANSI SCSI-2 standard alternative 2 (active) termination.

Daisy-chain configurations require you to terminate only the units at each end of the daisy chain. Do not terminate any other peripheral on the chain.

Note. Remove the Enable SCSI Terminator jumper from J1 pins 5 and 6 when terminators are not required.

ST31250WC/DC and ST32550WC/DC drives

SCA connector drives do not have internal terminators available. Provide external active terminators when termination is required.

ST31250ND, ST31250WD, ST32550ND and ST32550WD drives

Differential I/O Barracuda drives do not have provisions to add terminator sockets on the PCB. You must provide external termination.

11.7.3.4

Terminator power

ST31250N, ST31250W, ST32550N and ST32550W drives

You can configure terminator power in four different ways. See Section 10.1 for illustrations that show how to place jumpers enabling each of the following terminator power configurations:

1. Drive accepts terminator power through SCSI bus pins

ST31250N and ST32550N	Pin 26
ST31250W and ST32550W	Pins 17, 18, 51, and 52
2. Drive supplies power to the SCSI bus.
3. Drive provides terminator power for optional internal terminator resistors using the drive's power connector.
4. Drive provides power to its own terminators and to the SCSI bus terminator power line.

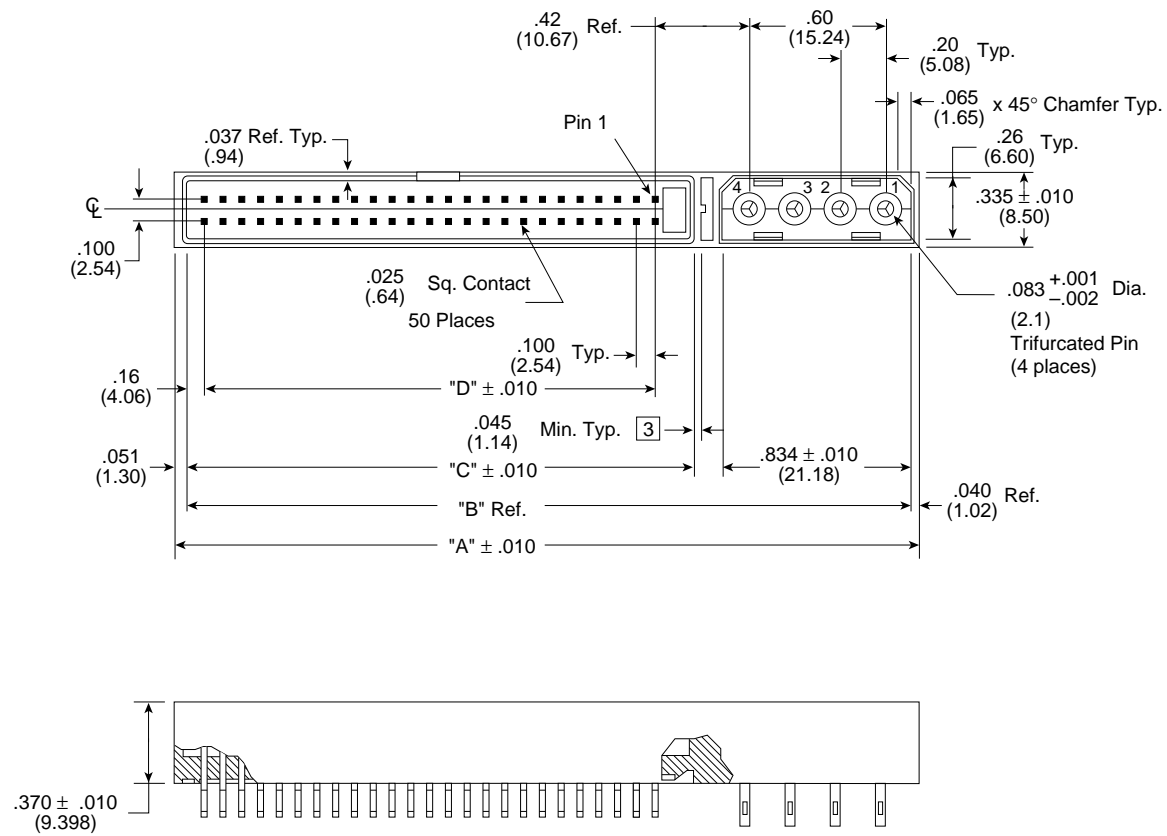
SCSI devices providing terminator power (TERMPWR) must have the following characteristics:

- V TERM = 4.50V to 5.25V
- 800 mA minimum source drive capability
- 1.0A maximum

ST31250ND, ST31250WD, ST32550ND and ST32550WD drives

You can configure terminator power only from the drive to the SCSI bus.

11.8 SCSI non-wide physical interface



No. Pos.	"A"	"B"	"C"	"D"
50	3.767 (95.68)	3.697 (93.90)	2.720 (69.09)	2.400 (60.96)

Figure 31. Non-shielded SCSI device connector

Table 14. Single-ended cable pin assignments (non-shielded connector) for ST31250N and ST32550N drives

Signal	Pin number	Signal	Pin number
-DB (0)	2	GROUND	28
-DB (1)	4	GROUND	30
-DB (2)	6	-ATN	32
-DB (3)	8	GROUND	34
-DB (4)	10	-BSY	36
-DB (5)	12	-ACK	38
-DB (6)	14	-RST	40
-DB (7)	16	-MSG	42
-DB (P)	18	-SEL	44
GROUND	20	-C/D	46
GROUND	22	-REQ	48
GROUND	24	-I/O	50
TERMPWR	26		

Notes:

- All odd pins except pin 25 are connected to ground. Pin 25 is left open.
Caution. Do not connect pin 25 to ground at the host end or the drive end of the cable. If you accidentally plug in the I/O connector upside down, terminator power on pin 26 will be shorted to ground.
- The minus sign next to a signal indicates asserted state is the low voltage of the two levels used for logic signals.

**Table 15. Differential cable pin assignments
(non-shielded connector) for ST31250ND
and ST32550ND drives**

+Signal name*	Pin number		-Signal name*
SHIELD GND	1	2	GROUND
DB (0)	3	4	-DB (0)
DB (1)	5	6	-DB (1)
DB (2)	7	8	-DB (2)
DB (3)	9	10	-DB (3)
DB (4)	11	12	-DB (4)
DB (5)	13	14	-DB (5)
DB (6)	15	16	-DB (6)
DB (7)	17	18	-DB (7)
DB (P)	19	20	DB (P)
DIFFSENS	21	22	GROUND
GROUND	23	24	GROUND
TERMPWR	25	26	TERMPWR
GROUND	27	28	GROUND
ATN	29	30	-ATN
GROUND	31	32	GROUND
BSY	33	34	-BSY
ACK	35	36	-ACK
RST	37	38	-RST
MSG	39	40	-MSG
SEL	41	42	-SEL
C/D	43	44	-C/D
REQ	45	46	-REQ
I/O	47	48	-I/O
GROUND	49	50	GROUND

*See Section 11.7.3.2 for detailed electrical characteristics of these differential signals.

11.9 SCSI wide physical interface

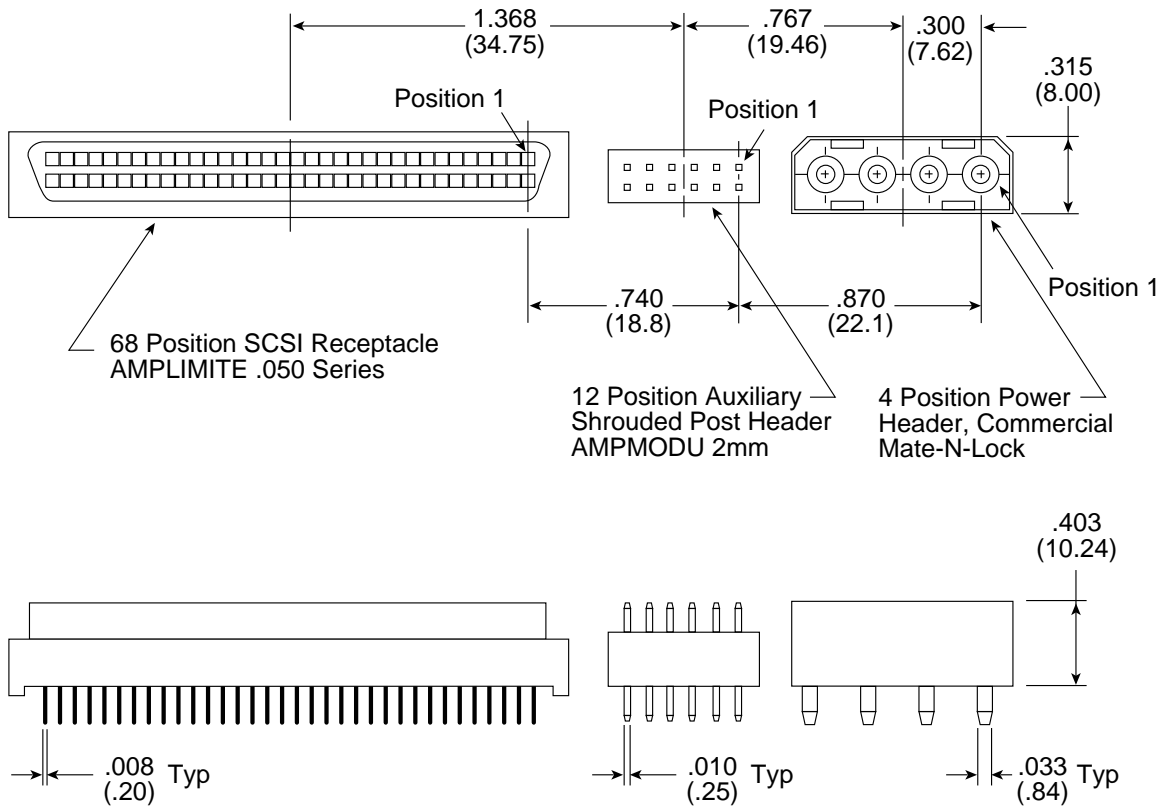


Figure 32. Wide SCSI device connector

**Table 16. Single-ended contact assignments (P cable)
for ST31250W and ST32550W drives**

Signal name	Connector contact number	Connector contact number	Signal name
GROUND	1	35	-DB (12)
GROUND	2	36	-DB (13)
GROUND	3	37	-DB (14)
GROUND	4	38	-DB (15)
GROUND	5	39	-DB (P1)
GROUND	6	40	-DB (0)
GROUND	7	41	-DB (1)
GROUND	8	42	-DB (2)
GROUND	9	43	-DB (3)
GROUND	10	44	-DB (4)
GROUND	11	45	-DB (5)
GROUND	12	46	-DB (6)
GROUND	13	47	-DB (7)
GROUND	14	48	-DB (P)
GROUND	15	49	GROUND
GROUND	16	50	GROUND
TERMPWR	17	51	TERMPWR
TERMPWR	18	52	TERMPWR
RESERVED	19	53	RESERVED
GROUND	20	54	GROUND
GROUND	21	55	-ATN
GROUND	22	56	GROUND
GROUND	23	57	-BSY
GROUND	24	58	-ACK
GROUND	25	59	-RST
GROUND	26	60	-MSG
GROUND	27	61	-SEL
GROUND	28	62	-C/D
GROUND	29	63	-REQ
GROUND	30	64	-I/O
GROUND	31	65	-DB (8)
GROUND	32	66	-DB (9)
GROUND	33	67	-DB (10)
GROUND	34	68	-DB (11)

Notes:

1. The hyphen preceding a signal name indicates that signal is active low.
2. Eight-bit devices that connect to the P cable should leave the following signals open: -DB(8)-DB(9)-DB(10)-DB(11)-DB(12)-DB(13)-DB(14)-DB(15) -DB(P1). All other signals should be connected as defined.

**Table 17. Differential contact assignments (P cable)
for ST31250WD and ST32550WD drives**

Signal name	Connector contact number	Connector contact number	Signal name
DB (12)	1	35	–DB (12)
DB (13)	2	36	–DB (13)
DB (14)	3	37	–DB (14)
DB (15)	4	38	–DB (15)
DB (P1)	5	39	–DB (P1)
GROUND	6	40	GROUND
DB (0)	7	41	–DB (0)
DB (1)	8	42	–DB (1)
DB (2)	9	43	–DB (2)
DB (3)	10	44	–DB (3)
DB (4)	11	45	–DB (4)
DB (5)	12	46	–DB (5)
DB (6)	13	47	–DB (6)
DB (7)	14	48	–DB (7)
DB (P)	15	49	–DB (P)
DIFFSENS	16	50	GROUND
TERMPWR	17	51	TERMPWR
TERMPWR	18	52	TERMPWR
RESERVED	19	53	RESERVED
ATN	20	54	–ATN
GROUND	21	55	GROUND
BSY	22	56	–BSY
ACK	23	57	–ACK
RST	24	58	–RST
MSG	25	59	–MSG
SEL	26	60	–SEL
C/D	27	61	–C/D
REQ	28	62	–REQ
I/O	29	63	–I/O
GROUND	30	64	GROUND
DB (8)	31	65	–DB (8)
DB (9)	32	66	–DB (9)
DB (10)	33	67	–DB (10)
DB (11)	34	68	–DB (11)

Notes:

1. The hyphen preceding a signal name indicates that signal is active low.
2. 8-bit devices that connect to the P cable should leave the following signals open: –DB(12) –DB(13) –DB(14) –DB(15) –DB(P1) –DB(8) –DB(9) –DB(10) –DB(11) DB(12) DB(13) DB(14) DB(15) DB(P1) DB(8) DB(9) DB(10) DB(11). All other signals should be connected as defined.

11.10 SCSI single-connector attachment (SCA) physical interface

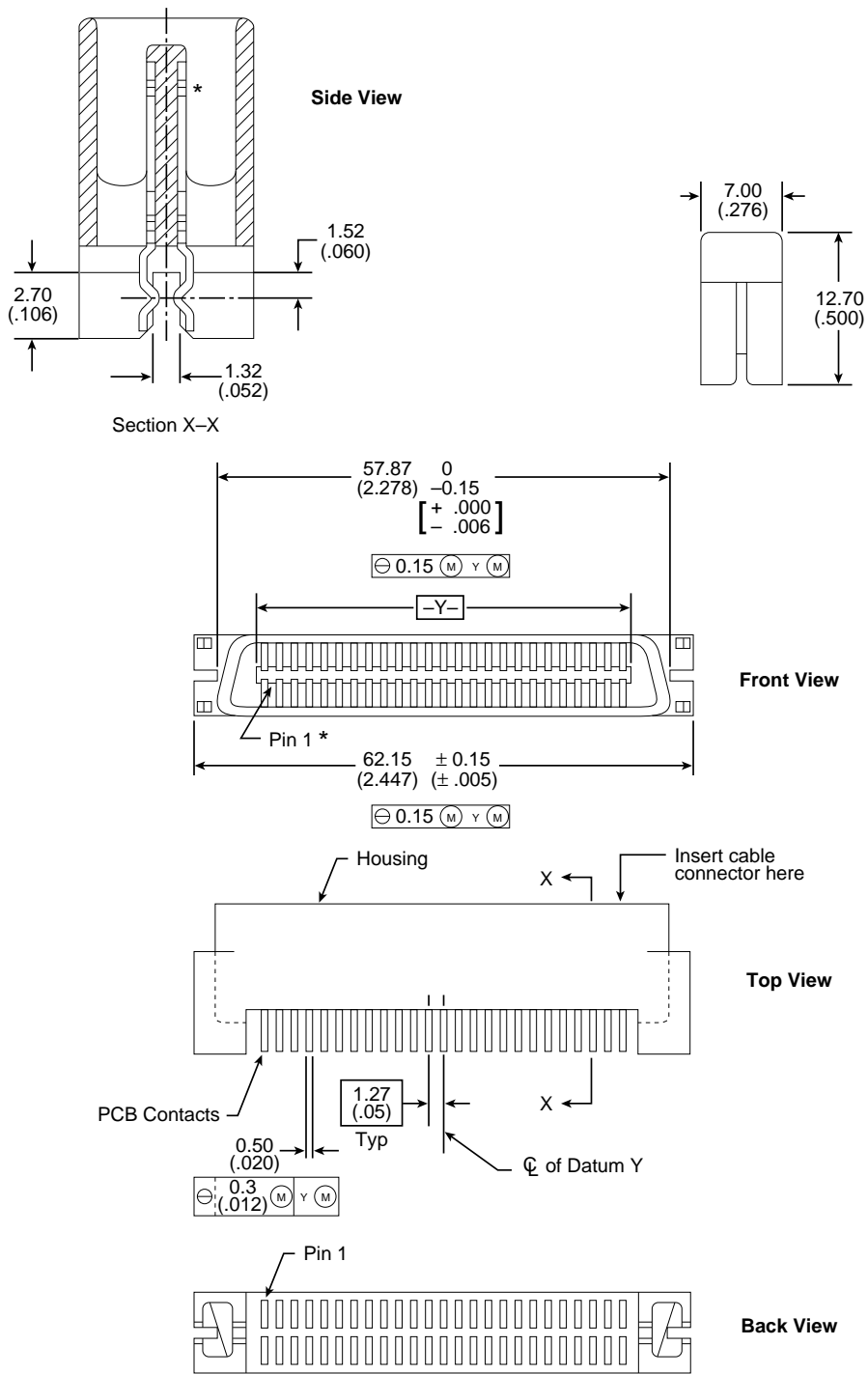


Figure 33. Non-shielded, 80-pin I/O and DC power single-connector attachment (SCA)

Table 18. SCA contact assignments for ST31250WC/ST32550WC drives

+Signal name	Connector contact	Connector contact	-Signal name
12V	1	41	12V GROUND
12V	2	42	12V GROUND
12V	3	43	12V GROUND
12V	4	44	12V GROUND
RESERVED/NC	5	45	RESERVED/NC
RESERVED/NC	6	46	RESERVED/NC
DB (11)	7	47	GROUND
DB (10)	8	48	GROUND
DB (9)	9	49	GROUND
DB (8)	10	50	GROUND
I/O	11	51	GROUND
REQ	12	52	GROUND
C/D	13	53	GROUND
SEL	14	54	GROUND
MSG	15	55	GROUND
RST	16	56	GROUND
ACK	17	57	GROUND
BSY	18	58	GROUND
ATN	19	59	GROUND
DB(P0)	20	60	GROUND
DB(7)	21	61	GROUND
DB(6)	22	62	GROUND
DB(5)	23	63	GROUND
DB(4)	24	64	GROUND
DB(3)	25	65	GROUND
DB(2)	26	66	GROUND
DB(1)	27	67	GROUND
DB(0)	28	68	GROUND
DB(P1)	29	69	GROUND
DB(15)	30	70	GROUND
DB(14)	31	71	GROUND
DB(13)	32	72	GROUND
DB(12)	33	73	GROUND
5V	34	74	5V GROUND
5V	35	75	5V GROUND
5V	36	76	5V GROUND
SYNC	37	77	ACTIVE LED OUT
RMT_START	38	78	DLYD_START
SCSI ID(0)	39	79	SCSI ID(1)
SCSI ID(2)	40	80	SCSI ID(3)

Table 19. SCA contact assignments for ST31250DC /ST32550DC drives

+Signal name	Connector contact	Connector contact	–Signal name
12V	1	41	12V GROUND
12V	2	42	12V GROUND
12V	3	43	12V GROUND
12V	4	44	12V GROUND
RESERVED/NC	5	45	RESERVED/NC
RESERVED/NC	6	46	DIFF SENSE
–DB (11)	7	47	+DB (11)
–DB (10)	8	48	+DB (10)
–DB (9)	9	49	+DB (9)
–DB (8)	10	50	+DB (8)
–I/O	11	51	+I/O
–REQ	12	52	+REQ
–C/D	13	53	+C/D
–SEL	14	54	+SEL
–MSG	15	55	+MSG
–RST	16	56	+RST
–ACK	17	57	+ACK
–BSY	18	58	+BSY
–ATN	19	59	+ATN
–DB(P0)	20	60	+DB (P0)
–DB(7)	21	61	+DB (7)
–DB(6)	22	62	+DB (6)
–DB(5)	23	63	+DB (5)
–DB(4)	24	64	+DB (4)
–DB(3)	25	65	+DB (3)
–DB(2)	26	66	+DB (2)
–DB(1)	27	67	+DB (1)
–DB(0)	28	68	+DB (0)
–DB(P1)	29	69	+DB (P1)
–DB(15)	30	70	+DB (15)
–DB(14)	31	71	+DB (14)
–DB(13)	32	72	+DB (13)
–DB(12)	33	73	+DB (12)
5V	34	74	5V GROUND
5V	35	75	5V GROUND
5V	36	76	5V GROUND
SYNC	37	77	ACTIVE LED OUT
RMT_START	38	78	DLYD_START
SCSI ID(0)	39	79	SCSI ID(1)
SCSI ID(2)	40	80	SCSI ID(3)

Notes:

1. The hyphen preceding a signal name indicates that signal is active low.
2. 8-bit devices that connect to the P cable should leave the following signals open: –DB(12) –DB(13) –DB(14) –DB(15) –DB(P1) –DB(8) –DB(9) –DB(10) –DB(11) DB(12) DB(13) DB(14) DB(15) DB(P1) DB(8) DB(9) DB(10) DB(11). All other signals should be connected as defined.

Table 20. Disc drive SCSI timing

Description	Waveform symbol [1]	Waveform table [1]	Typical	Max
Target select time (no arbitration)	T00	N/A	< 1 μ s	< 250 μ s
Target select time (with arbitration)	T01	4.5-1,2	2.31 μ s	2.36 μ s
Target select to command	T02	4.5-1	3.33 μ s	3.34 μ s
Target select to MSG out	T03	4.5-2	1.51 μ s	1.54 μ s
Identify MSG to command	T04	4.5-3	3.34 μ s	3.36 μ s
Command to status	T05	4.5-5	Command dependent	
Command to data (para. in)	T06	4.5-9	Command dependent	
Command to data (para. out)	T07	4.5-10	Command dependent	
Command to data (write to data buffer)	T08	4.5-10	Command dependent	
Command to disconnect MSG	T09	4.5-6	Command dependent	
Disconnect MSG to bus free	T10	4.5-6,14	0.64 μ s	0.68 μ s
Disconnect to arbitration (for re-select)	T11	4.5-6	Command dependent	
This measures disconnected CMD overhead				
Target win arbitration (for re-select)	T12	4.5-7		2.8 μ s
Arbitration to re-select	T13	4.5-7		1.8 μ s
Re-select to Identify MSG in	T14	4.5-7		1.34 μ s
Re-select Identify MSG to status	T15	4.5-8	Command dependent	
Re-select Identify MSG to data (media)	T16	4.5-11	Command dependent	
Data to status	T17	4.5-15	Command dependent	
Status to command complete MSG	T18	4.5-5,8,15		1.0 μ s
Command complete MSG to bus free	T19	4.5-5,8,15		0.75 μ s
Data to save data pointer MSG	T20	4.5-14		4.5 μ s
Save data pointer MSG to disconnect MSG	T21	4.5-14		0.75 μ s
Command byte transfer	T22	4.5-4		0.04
Next command byte access		4.5-4		
Next CDB byte access (byte 2 of 6)	T23.6.2	4.5-4	0.55 μ s	0.56 μ s
Next CDB byte access (byte 3 of 6)	T23.6.3	4.5-4	0.10 μ s	0.10 μ s
Next CDB byte access (byte 4 of 6)	T23.6.4	4.5-4	0.09 μ s	0.10 μ s
Next CDB byte access (byte 5 of 6)	T23.6.5	4.5-4	0.13 μ s	0.14 μ s
Next CDB byte access (byte 6 of 6)	T23.6.6	4.5-4	0.13 μ s	0.14 μ s
Next CDB byte access (byte 2 of 10)	T23.10.2	4.5-4	0.59 μ s	0.60 μ s
Next CDB byte access (byte 3 of 10)	T23.10.3	4.5-4	0.14 μ s	0.14 μ s
Next CDB byte access (byte 4 of 10)	T23.10.4	4.5-4	0.13 μ s	0.14 μ s
Next CDB byte access (byte 5 of 10)	T23.10.5	4.5-4	0.12 μ s	0.12 μ s
Next CDB byte access (byte 6 of 10)	T23.10.6	4.5-4	0.11 μ s	0.12 μ s
Next CDB byte access (byte 7 of 10)	T23.10.7	4.5-4	0.10 μ s	0.10 μ s
Next CDB byte access (byte 8 of 10)	T23.10.8	4.5-4	0.09 μ s	0.10 μ s
Next CDB byte access (byte 9 of 10)	T23.10.9	4.5-4	0.13 μ s	0.14 μ s
Next CDB byte access (byte 10 of 10)	T23.10.10	4.5-4	0.12 μ s	0.12 μ s

Description	Waveform symbol [1]	Waveform table [1]	Typical	Max
Data in byte transfer (parameter)	T24	4.5-12		0.04 μ s
Data out byte transfer (parameter)	T25	4.5-13		0.04 μ s
Next data in byte access (parameter)	T26	4.5-12	0.10 μ s	0.12 μ s
Next data out byte access (parameter)	T27	4.5-13	0.10 μ s	0.12 μ s
Data in byte transfer (media) [2]	T28	4.5-12	0.03 μ s	0.04 μ s
Data out byte transfer (media) [2]	T29	4.5-13	0.03 μ s	0.04 μ s
Next data in byte access (media) [2]	T30	4.5-12	0.10 μ s	0.12 μ s
Next data out byte access (media) [2]	T31	4.5-13	0.10 μ s	0.12 μ s
MSG IN byte transfer	T32	4.5-5,7 4.5-8,14,15	0.09 μ s	0.04 μ s
MSG OUT byte transfer	T33	4.5-2		0.04 μ s
STATUS byte transfer	T34	4.5-5,8 4.5-15		0.04 μ s
Synchronous data transfer characteristics:				
Request signal transfer period [3]	–	–	various	800 ns

Notes:

- [1] See the *SCSI-2 Interface Product Manual* (part number 77738479), Section 4.5.
- [2] Maximum SCSI asynchronous interface transfer rate is given in Section 5.3.
- [3] Synchronous transfer period is determined by negotiations between an initiator and a drive. The drive is capable of setting periods as given in Section 11.5 in this manual. See also Sections 3.1.5.2 and 3.5.3.2 of the *SCSI-2 Interface Product Manual* for a description of synchronous data transfer operation.

General timing diagrams for SCSI interface operation are shown in the *SCSI-2 Interface Product Manual*, Section 4.5.

Index

Symbols

- 12V current profile 35
- 96-bit Reed-Solomon error correction code 7

A

- AC power requirements 33
- acoustics 38
- active terminator circuits 72
- actuator assembly 6
- adapter accessory frame kit 8
- air cleanliness requirements 38
- air flow 22
- altitude, effective limits 37
- ambient temperature range 36
- ANSI, documents 3
- asynchronous
 - data transfer protocol 7
 - SCSI bus conditions supported 66
- automatic
 - adaptive thermal compensation 11
 - shipping lock 6, 7
 - thermal compensation 7, 11
- autowrite and read reallocation 7

B

- Barracuda 2LP Installation Guide 8
- bits per inch, number of 11
- bytes
 - per sector, allowable range 7
 - per surface, number of 11
 - per track, number of 11

C

- cable pin assignments
 - differential 78
 - single-ended 77
- cable requirements 70
- cache control 15
- caching write data 16
- capacities
 - formatted 8
 - unformatted 8

- conducted noise immunity 34
- connector parts, DC power connection 68
- contact assignments
 - differential (P cable) 81
 - SCA 84
 - single-ended (P cable) 80
- cooling, mechanical 42
- current requirements 33

D

- data block size, modifying the 8
- data buffer to/from disc media 14
- data heads, number of 11
- data transfer rate 14
- data zone 6

DC

- cable and connector 68
- power requirements 33
- defect and error management 45
- defects and errors
 - ETF defect list 45
 - primary defect list 45
- Delay Motor Start option 48, 51, 54
- diameter, media (disc) 43
- differential
 - I/O, cable requirements 70
- differential drivers/receivers 73
 - terminating 73
- differential I/O
 - cable requirements 71
- digital offset values 19
- dimensions
 - N/ND J4 connector 56
 - W/WD J5 connector 56
 - WC J4 connector 57
- disc rotation speed 11
- drive
 - failure, defined 22
 - orientation 42
- drivers and receivers 55

E

- effective altitude (sea level) 37
- electromagnetic
 - compatibility 38
 - interference (EMI) 21

EMC/regulatory requirements, meeting 3
 Enable Motor Start option 48, 51, 53
 environmental interference 21
 environmental limits
 effective altitude 37
 shock and vibration 37
 temperature 36
 error correction code 7
 error rates 21

F

fans, positioning for cooling 22
 features, listed 7
 firmware 7
 flaw reallocation performance impact 14
 flawed sector reallocation 7
 format drive command execution time 13
 formatting 9
 front panel 8

G

grounding 57

H

head and disc assembly (HDA) 5
 cooling 22
 head switch, overhead time 14
 heat/power dissipation 36
 hot plugging Barracuda disc drives 30
 humidity 36
 HYHX temperature, measuring 25

I

index signal 18
 inquiry data 62
 installation 30
 instructions 9
 plug in and play 30
 service tools 30
 interface
 physical 56
 requirements 59
 interleave 7
 minimum sector 14
 internal data rate 11

J

J1, jumper connector 48
 J2, jumper connector 48, 51, 53
 J4, jumper connector 48, 51, 54
 J5, jumper connector 52
 jumper connectors
 explained 48, 51, 53
 JYHX temperature, measuring 26

K

KYHX temperature, measuring 27, 29

L

landing zone 6

M

mean time between failures (MTBF) 22
 mechanical specifications
 depth 39
 height 39
 weight 39
 width 39
 media
 characteristics 43
 description 43
 diameter 43
 misc. operating features supported 66
 miscorrected data transferred 21
 Mode Select command 15
 Mode Sense data 63
 Motor Start command 15
 MTBF 21
 multiple initiators 5

N

noise
 defined 34
 maximum allowed 34

O

offset values 19
 one track cylinder switch, overhead time 14
 operating current 33
 option/configuration headers 47

P

- panel, front 8
- performance
 - general 7, 14
 - list of characteristics 11
- physical
 - interface 56
 - rotational offsets 19
- physical/electrical specifications 33
- power
 - control switch 15
 - dissipation 6
 - requirements, AC and DC 33
- prefetch/multi-segmented cache control 15
- preventive maintenance 7, 21, 30

R

- radiated emissions, characterizations 3
- reallocation of defects
 - on command (post format) 7
- recoverable error rate 21
- Reed-Solomon error correction code 7
- reference documents
 - Barracuda 2LP Installation Guide 3, 8
 - SCSI-2 Reference Manual 3
- reference index signal 55
 - termination 56
- reference signal 18, 19
- relative humidity
 - non-operating 36
 - operating 36
- reliability
 - general characteristics 7
 - service, and 22
 - specifications 21
- REQ/ACK offset 67
- rotation speed 11
- rotational
 - latency, average 11
 - position locking 18
 - skew, operating the drive with 19

S

- safety agencies, certification 3
- safety/regulatory agency compliance 3

SCA

- contact assignments for DC drives 84
- contact assignments for WC drives 83
- physical interface 82
- recommended mating part numbers 72
- terminating WC/DC drives 72
- wide differential
 - air-flow and cooling 29
- wide single-ended
 - air-flow and cooling 28

SCSI

- bus conditions and misc. features 66
- drivers and receivers 7

SCSI interface

- cable connector requirements 71
- electrical description
 - differential drivers/receivers 72
 - single-ended drivers/receivers 72
- messages supported by the 59
- physical connections 68
- terminator requirements 75
- transfer rate 14

SCSI physical interface 68

- non-wide 76
- wide 79

sector

- reallocation scheme 7
- size, allowable range 7, 14

seek

- error rate 21
- errors, defined 22
- times, listed 13

seek errors 22**service**

- life 21, 30
- philosophy 30
- tools 30

servo heads, number of 11**shock**

- non-operating 37
- operating
 - abnormal 37
 - normal 37
- packaged 37
- vibration, and 37

single-ended

- drivers/receivers 72

- I/O, cable requirements 70
- SCSI drivers and receivers 7
- single-ended I/O
 - cable requirements 70
- single-unit shipping pack kit 8
- spare reallocation scheme 8
- spindle
 - brake 7
 - enabling and disabling 18
 - stopping with the Motor Start command 15
 - synchronization mode 18
- start current 33
- start/stop time 15
- synchronized
 - drive interconnect diagram 17
 - spindle operation 17
 - spindles interface 55
 - spindles interface, electrical description 55
- synchronous
 - data transfer
 - periods supported 67
 - protocol 7
 - spindle 7

T

- temperature, operating 36
- terminating
 - differential drivers/receivers 72
 - SCSI devices 70
 - single-ended drivers/receivers 72
- terminator
 - power 48, 75
 - requirements 75
- terminator power
 - options 48
- timing 85
- tracks
 - per inch, number of 11
 - per surface, number of 11

U

- UL 3
- unit attention 18
- unrecoverable
 - error, defined 21
 - write errors, defined 21
- unrecovered data transferred 21

V

- vibration
 - non-operating 38
 - operating
 - abnormal 38
 - normal 38
- voltage requirements 33

W

- write data, caching 16
- write errors 21
- WYGX temperature, measuring 24

Z

- zone bit recording (ZBR) 7
- ZYHX temperature, measuring 28



Seagate Technology, Inc.

920 Disc Drive, Scotts Valley, California 95066-4544, USA

Publication Number: 83328930, Rev. D, Printed in USA



Artisan Technology Group is your source for quality new and certified-used/pre-owned equipment

- FAST SHIPPING AND DELIVERY
- TENS OF THOUSANDS OF IN-STOCK ITEMS
- EQUIPMENT DEMOS
- HUNDREDS OF MANUFACTURERS SUPPORTED
- LEASING/MONTHLY RENTALS
- ITAR CERTIFIED SECURE ASSET SOLUTIONS

SERVICE CENTER REPAIRS

Experienced engineers and technicians on staff at our full-service, in-house repair center

*InstraView*SM REMOTE INSPECTION

Remotely inspect equipment before purchasing with our interactive website at www.instraview.com ↗

WE BUY USED EQUIPMENT

Sell your excess, underutilized, and idle used equipment. We also offer credit for buy-backs and trade-ins. www.artisanng.com/WeBuyEquipment ↗

LOOKING FOR MORE INFORMATION?

Visit us on the web at www.artisanng.com ↗ for more information on price quotations, drivers, technical specifications, manuals, and documentation

Contact us: (888) 88-SOURCE | sales@artisanng.com | www.artisanng.com