



SERIES NCJ2

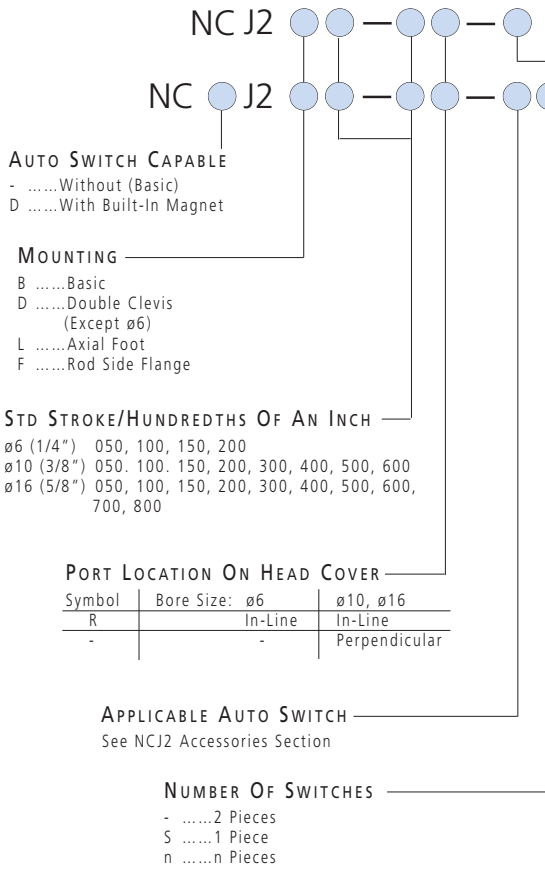
BORE SIZES Ø6•10•16

- ✓ Double Acting Single Rod / Double Rod
- ✓ Single Spring Return / Extend
- ✓ Compact and Lightweight
- ✓ Auto Switch Sensing Optional
- ✓ Non Rotating Piston Rod Optional
- ✓ High Accuracy Mounting



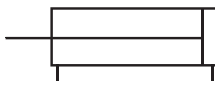
HOW TO ORDER

NCJ2 STANDARD DOUBLE ACTING SINGLE ROD CYLINDER

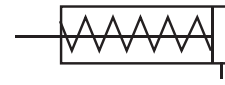


SYMBOLS

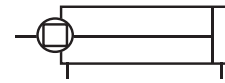
Double Acting/Single Rod



Single Acting/Spring Return



Double Acting/Single Rod Non-Rotating



SPECIAL OPTIONS

- XB6 ...High Temperature
- XB7 ...Low Temperature
- XB9 ...Low Speed Operation

TECHNICAL SPECIFICATIONS

Fluid	Air	
Proof Pressure	1MPa / 145 PSI	
Maximum Operating Pressure	0.7MPa / 100 PSI	
Minimum Operating Pressure	ø6	0.1MPa / 17 PSI
	ø10, ø16	0.05MPa / 8.5 PSI
Ambient and Fluid Temperature	-10°C~+70°C / 14~158°F	
Cushion	Rubber Cushion (Standard)	
Lube	None (Non-lube)	
Stroke Tolerance	+1.0 0mm	+0.04 0inch
Piston Speed	2~29.5 in/s (50~750mm/s)	
Allowable Kinetic Energy	ø6	0.10lbf in (0.12kgf cm)
	ø10	0.30lbf in (0.35kgf cm)
	ø16	0.78lbf in (0.9kgf cm)

Mounting Bracket	PART NUMBER OF MOUNTING BRACKETS		
	Bore Size (mm)		
	6	10	16
Foot	NCJ-L006B	NCJ-L010B	NCJ-L016B
Flange	NCJ-F006B	NCJ-F010B	NCJ-F016B

DIMENSIONS
SEE NEXT PAGE

SEE INSIDE FRONT COVER FOR
DETAILS OF YOUR LOCAL SALES OFFICE

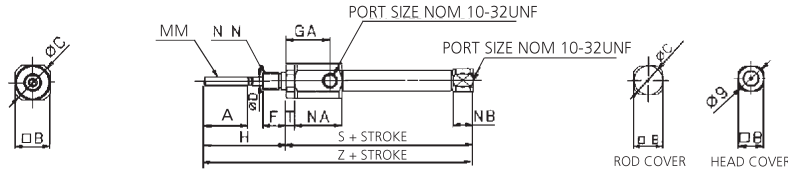


FOR FURTHER TECHNICAL
DETAILS ON THIS
PRODUCT REQUEST
CATALOG REFERENCE
N301

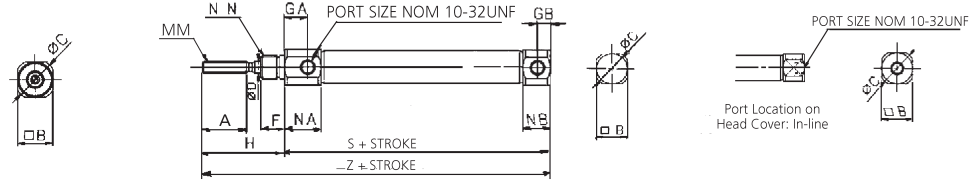
DIMENSIONS (INCH)

STANDARD DOUBLE ACTING SINGLE ROD BASIC TYPE NCJ2B_ _

NCJ2B6



NCJ2B10, 16

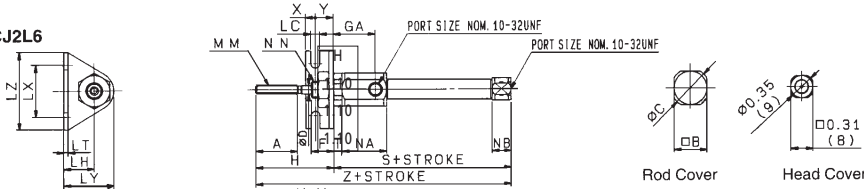


Bore Size	A	B	C	D	F	GA	GB	H	MM	NN	NA	NB	T	S	Z
ø6 (1/4")	0.60	0.47	0.55	0.125	0.31	0.57	-	1.10	No5-40UNC	1/4-28UNF	0.63	0.28	0.12	1.93	3.03
ø10 (3/8")	0.60	0.47	0.55	0.157	0.31	0.31	0.196	1.10	No6-40UNF	5/16-24UNF	0.49	0.37	-	1.81	2.91
ø16 (5/8")	0.60	0.71	0.79	0.196	0.31	0.31	0.196	1.10	No10-32UNF	3/8-24UNF	0.49	0.37	-	1.85	2.95

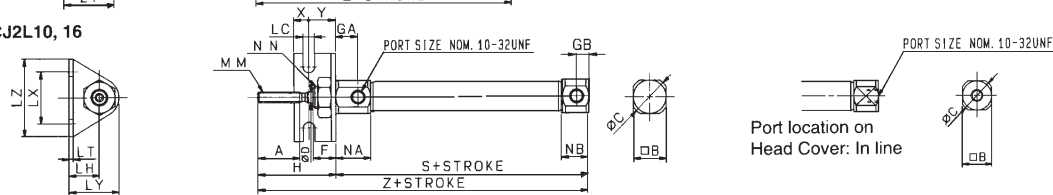
DIMENSIONS (INCH)

STANDARD DOUBLE ACTING SINGLE ROD FOOT TYPE NCJ2L_ _

NCJ2L6



NCJ2L10, 16



Bore Size	A	B	C	D	F	GA	GB	H	LC	LH	LT	LX	LY	LZ	MM	NN	NA	NB	T	X	Y	S	Z
ø6 (1/4")	0.60	0.47	0.55	0.125	0.31	0.57	-	1.10	0.13	0.43	0.06	0.74	0.71	1.10	No5-40UNC	1/4-28UNF	0.63	0.28	0.12	0.14	0.26	1.93	3.03
ø10 (3/8")	0.60	0.47	0.55	0.157	0.31	0.31	0.196	1.10	0.17	0.55	0.06	0.87	0.83	1.26	No6-40UNF	5/16-24UNF	0.49	0.37	-	0.21	0.38	1.81	2.91
ø16 (5/8")	0.60	0.71	0.79	0.196	0.31	0.31	0.196	1.10	0.20	0.55	0.09	1.18	0.94	1.38	No10-32UNF	3/8-24UNF	0.49	0.37	-	0.21	0.38	1.85	2.95

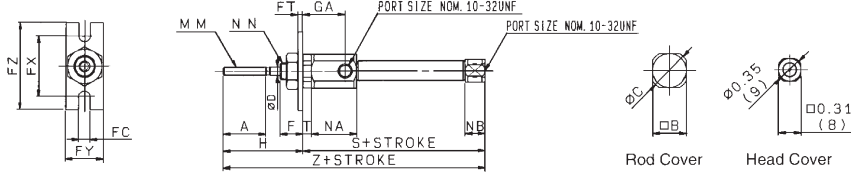


FOR FURTHER TECHNICAL
DETAILS ON THIS
PRODUCT REQUEST
CATALOG REFERENCE
N301

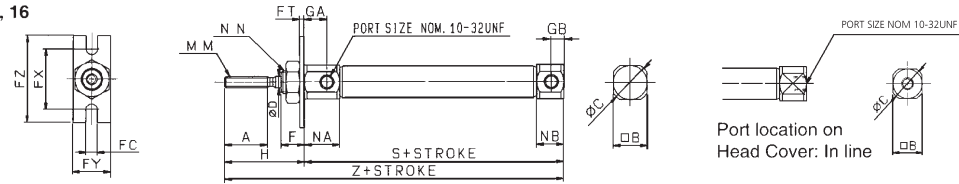
DIMENSIONS (INCH)

STANDARD DOUBLE ACTING SINGLE ROD ROD SIDE FLANGE TYPE NCJ2F_ _

NCJ2F6



NCJ2F10, 16

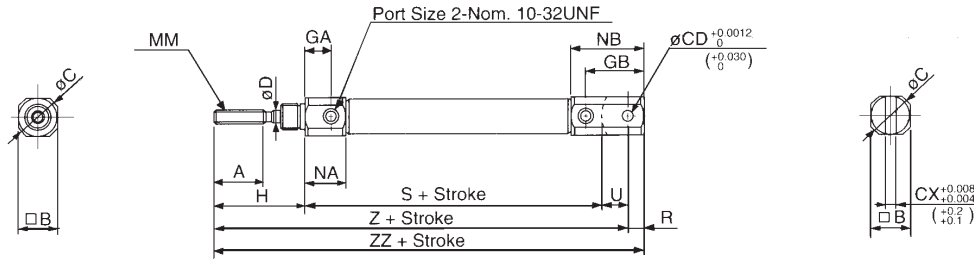


Bore Size	A	B	C	D	F	FC	FT	FX	FY	FZ	GA	GB	H	MM	NN	NA	NB	T	S	Z
ø6 (1/4")	0.60	0.47	0.55	0.125	0.31	0.13	0.06	0.74	0.55	1.10	0.57	-	1.10	No5-40UNC	1/4-28UNF	0.63	0.28	0.12	1.93	3.03
ø10 (3/8")	0.60	0.47	0.55	0.157	0.31	0.17	0.06	0.87	0.55	1.26	0.31	.196	1.10	No6-40UNF	5/16-24UNF	0.49	0.37	-	1.81	2.91
ø16 (5/8")	0.60	0.71	0.79	0.196	0.31	0.20	0.09	1.18	0.79	1.38	0.31	.196	1.10	No10-32UNF	3/8-24UNF	0.49	0.37	-	1.85	2.95

DIMENSIONS (INCH)

STANDARD DOUBLE ACTING SINGLE ROD DOUBLE CLEVIS TYPE NCJ2D_ _

NCJ2D10, 16



Bore Size	A	B	C	CD	CX	D	GA	GB	H	MM	NA	NB	R	S	U	Z	ZZ
ø10 (3/8")	0.60	0.47	0.55	0.187	0.188	0.157	0.31	0.75	1.10	No6-40UNF	0.49	0.93	0.24	1.81	0.31	3.22	3.46
ø16 (5/8")	0.60	0.71	0.79	0.187	0.188	0.196	0.31	0.91	1.10	No10-32UNF	0.49	1.08	0.31	1.85	0.39	3.35	3.66

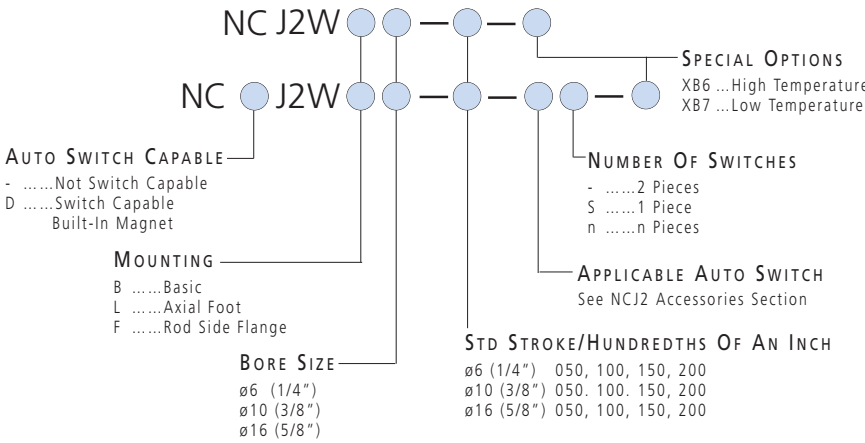
SEE INSIDE FRONT COVER FOR
DETAILS OF YOUR LOCAL SALES OFFICE



FOR FURTHER TECHNICAL
DETAILS ON THIS
PRODUCT REQUEST
CATALOG REFERENCE
N301

How To
ORDER

NCJ2 STANDARD DOUBLE ACTING DOUBLE ROD CYLINDER



Mounting Bracket	PART NUMBER OF MOUNTING BRACKETS Bore Size (mm)		
	6	10	16
Foot	NCJ-L006B	NCJ-L010B	NCJ-L016B
Flange	NCJ-F006B	NCJ-F010B	NCJ-F016B

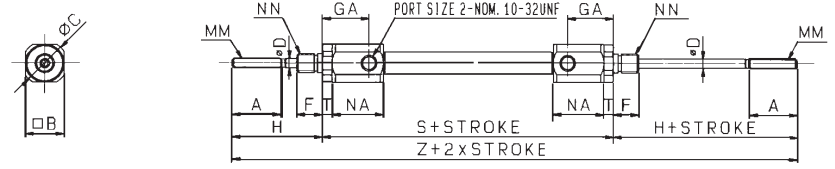
TECHNICAL
SPECIFICATIONS

Fluid	Air	
Proof Pressure	1MPa / 145 PSI	
Maximum Operating Pressure	0.7MPa / 100 PSI	
Minimum Operating Pressure	ø6	0.14MPa / 21 PSI
	ø10, ø16	0.1MPa / 14 PSI
Ambient and Fluid Temperature	-10°C~+70°C (14~158°F)	
Cushion	Rubber Cushion (Standard)	
Lube	None (Non-lube)	
Stroke Tolerance	+0.4 0mm	
Piston Speed	2~29.5 in/s (50~750mm/s)	
Allowable Kinetic Energy	ø6	0.10lbf in (0.12kgf cm)
	ø10	0.30lbf in (0.35kgf cm)
	ø16	0.78lbf in (0.9kgf cm)

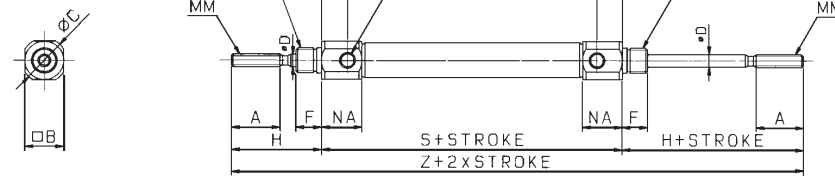
DIMENSIONS (INCH)

STANDARD DOUBLE ACTING DOUBLE ROD BASIC TYPE NCJ2WB_ _

NCJ2WB6



NCJ2WB10, 16



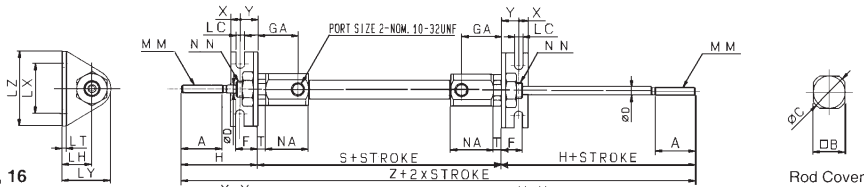
Bore Size*	A	B	C	D	F	GA	H	MM	NN	NA	T	S	Z
ø6 (1/4")	0.60	0.47	0.55	0.125	0.31	0.57	1.10	No5-40UNC	1/4-28UNF	0.63	0.12	2.40	4.61
ø10 (3/8")	0.60	0.47	0.55	0.157	0.31	0.31	1.10	No6-40UNF	5/16-24UNF	0.49	-	1.93	4.13
ø16 (5/8")	0.60	0.71	0.79	0.196	0.31	0.31	1.10	No10-32UNF	3/8-24UNF	0.49	-	1.97	4.17

* In case of Auto Switches
with ø6 Bore, add 5mm to
S and Z.

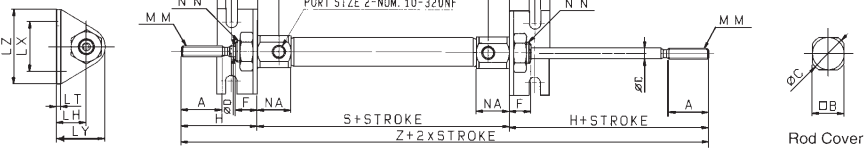
DIMENSIONS (INCH)

STANDARD DOUBLE ACTING DOUBLE ROD FOOT TYPE NCJ2WL_ _

NCJ2WL6



NCJ2WL10, 16



Bore Size*	A	B	C	D	F	GA	H	LC	LH	LT	LX	LY	LZ	MM	NN	NA	T	X	Y	S	Z
ø6 (1/4")	0.60	0.47	0.55	0.125	0.31	0.57	1.10	0.13	0.43	0.06	0.74	0.71	1.10	No5-40UNC	1/4-28UNF	0.63	0.12	0.14	0.26	2.40	4.61
ø10 (3/8")	0.60	0.47	0.55	0.157	0.31	0.31	1.10	0.17	0.55	0.06	0.87	0.83	1.26	No6-40UNF	5/16-24UNF	0.49	-	0.21	0.38	1.93	4.13
ø16 (5/8")	0.60	0.71	0.79	0.196	0.31	0.31	1.10	0.20	0.55	0.09	1.18	0.94	1.38	No10-32UNF	3/8-24UNF	0.49	-	0.21	0.38	1.97	4.17

* In case of Auto Switches with ø6 Bore, add 5mm to S and Z.

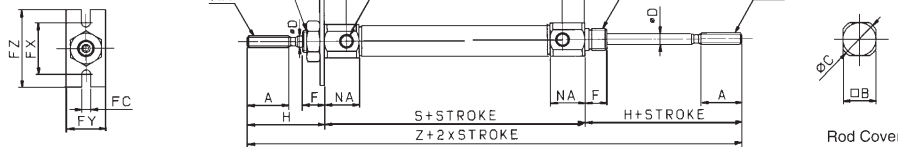
DIMENSIONS (INCH)

STANDARD DOUBLE ACTING DOUBLE ROD FLANGE TYPE NCJ2WF_ _

NCJ2WF6



NCJ2WF10, 16



Bore Size*	A	B	C	D	F	FC	FT	FX	FY	FZ	GA	H	MM	NN	NA	T	S	Z
ø6 (1/4")	0.60	0.47	0.55	0.125	0.31	0.13	0.06	0.74	0.55	1.10	0.57	1.10	No5-40UNC	1/4-28UNF	0.63	0.12	2.40	4.61
ø10 (3/8")	0.60	0.47	0.55	0.157	0.31	0.17	0.06	0.87	0.55	1.26	0.31	1.10	No6-40UNF	5/16-24UNF	0.49	-	1.93	4.13
ø16 (5/8")	0.60	0.71	0.79	0.196	0.31	0.20	0.09	1.18	0.79	1.38	0.31	1.10	No10-32UNF	3/8-24UNF	0.49	-	1.97	4.17

* In case of Auto Switches with ø6 Bore, add 5mm to S and Z.

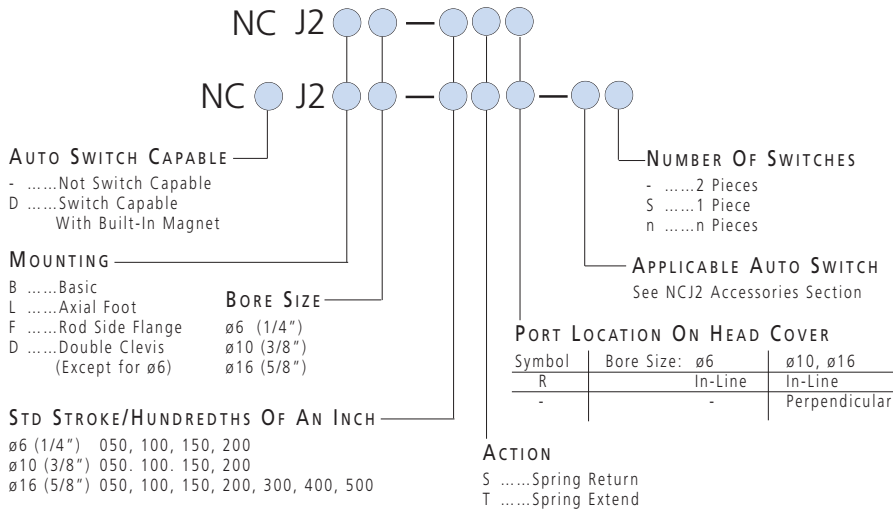
SEE INSIDE FRONT COVER FOR
DETAILS OF YOUR LOCAL SALES OFFICE



FOR FURTHER TECHNICAL
DETAILS ON THIS
PRODUCT REQUEST
CATALOG REFERENCE
N301

**How To
 ORDER**

NCJ2 STANDARD SINGLE ACTING SPRING RETURN / SPRING EXTEND



Mounting Bracket	PART NUMBER OF MOUNTING BRACKETS		
	Bore Size (mm)		
	6	10	16
Foot	NCJ-L006B	NCJ-L010B	NCJ-L016B
Flange	NCJ-F006B	NCJ-F010B	NCJ-F016B

**TECHNICAL
 SPECIFICATIONS**

Fluid	Air	
Proof Pressure	1MPa / 145 PSI	
Maximum Operating Pressure	0.7MPa / 100 PSI	
Minimum Operating Pressure	ø6	0.35MPa / 50 PSI
	ø10, ø16	0.14MPa / 21 PSI
Ambient and Fluid Temperature	-10°C ~ +70°C / 14~158°F	
Cushion	Rubber Cushion (Standard)	
Lube	None (Non-lube)	
Stroke Tolerance	+0.4 0mm	
Piston Speed	2~29.5 in/s (50~750mm/s)	
Allowable Kinetic Energy	ø6	0.10lbf in (0.12kgf cm)
	ø10	0.30lbf in (0.35kgf cm)
	ø16	0.78lbf in (0.9kgf cm)

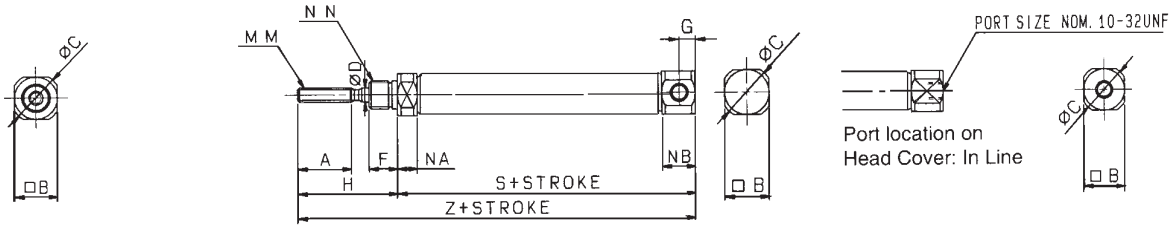
DIMENSIONS
 SEE NEXT PAGE



FOR FURTHER TECHNICAL
 DETAILS ON THIS
 PRODUCT REQUEST
 CATALOG REFERENCE
 N301

DIMENSIONS (INCH)

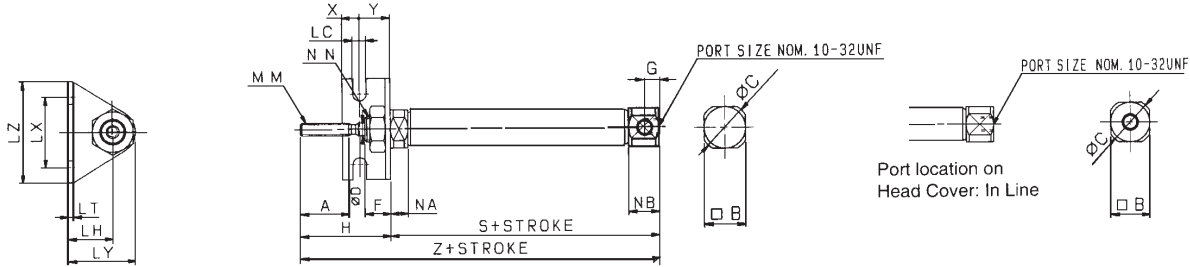
STANDARD SINGLE ACTING SPRING RETURN BASIC TYPE NCJ2B_-_S



Bore Size	A	B	C	D	F	G	H	S										Z							
								MM	NN	NA	NB	50	100	150	200	300	400	500	50	100	150	200	300	400	500
ø6 (1/4")	0.60	0.31	0.35	0.125	0.31	-	1.10	No5-40UNC	1/4-28UNF	0.12	0.28	1.45	1.73	1.98	2.47	-	-	-	2.55	2.84	3.09	3.57	-	-	-
ø10 (3/8")	0.60	0.47	0.55	0.157	0.31	.196	1.10	No6-40UNF	5/16-24UNF	0.21	0.37	1.80	2.01	2.30	2.78	-	-	-	2.91	3.11	3.40	3.89	-	-	-
ø16 (5/8")	0.60	0.71	0.79	0.196	0.31	.196	1.10	No10-32UNF	3/8-24UNF	0.21	0.37	1.82	2.03	2.32	2.80	3.22	3.83	4.61	2.93	3.13	3.42	3.91	4.32	4.94	5.71

DIMENSIONS (INCH)

STANDARD SINGLE ACTING SPRING RETURN FOOT TYPE NCJ2L_-_S

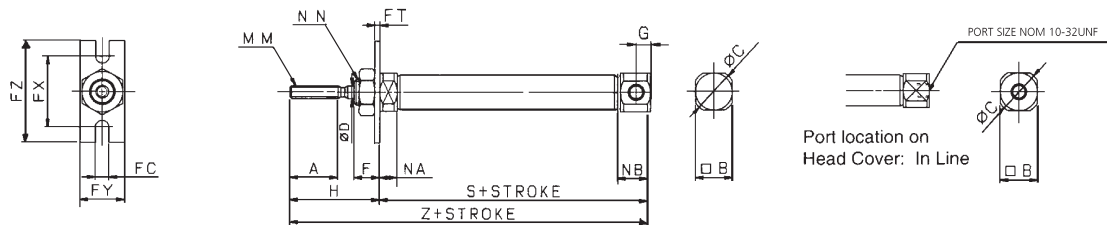


Bore Size	A	B	C	D	F	G	H	LC	LH	LT	LX	LY	LZ	S										Z				
														MM	NN	NA	NB	X	Y	50	100	150	200	300	400	500	50	100
ø6 (1/4")	0.60	0.31	0.35	0.125	0.31	-	1.10	0.13	0.43	0.06	0.74	0.71	1.10	No5-40UNC	1/4-28UNF	0.12	0.28	0.14	0.26	1.45	1.73	1.98	2.47	-	-	-		
ø10 (3/8")	0.60	0.47	0.55	0.157	0.31	.196	1.10	0.17	0.55	0.06	0.87	0.83	1.26	No6-40UNF	5/16-24UNF	0.21	0.37	0.21	0.38	1.80	2.01	2.30	2.78	-	-	-		
ø16 (5/8")	0.60	0.71	0.79	0.196	0.31	.196	1.10	0.20	0.55	0.09	1.18	0.94	1.38	No10-32UNF	3/8-24UNF	0.21	0.37	0.21	0.38	1.82	2.03	2.32	2.80	3.2	3.83	4.61		

Z						
50	100	150	200	300	400	500
2.55	2.84	3.09	3.57	-	-	-
2.91	3.11	3.40	3.89	-	-	-
2.93	3.13	3.42	3.91	4.32	4.94	5.71

DIMENSIONS (INCH)

STANDARD SINGLE ACTING SPRING RETURN ROD SIDE FLANGE TYPE NCJ2F_-_S



Bore Size	A	B	C	D	F	FC	FT	FX	FY	FZ	G	H	MM	NN	NA	NB	S							Z						
																	50	100	150	200	300	400	500	50	100	150	200	300	400	500
ø6 (1/4")	0.60	0.31	0.35	0.125	0.31	0.13	0.06	0.74	0.55	1.10	-	1.10	No5-40UNC	1/4-28UNF	0.12	0.28	1.45	1.73	1.98	2.47	-	-	-	2.55	2.84	3.09	3.57	-	-	-
ø10 (3/8")	0.60	0.47	0.55	0.157	0.31	0.17	0.06	0.87	0.55	1.26	.196	1.10	No6-40UNF	5/16-24UNF	0.21	0.37	1.80	2.01	2.30	2.78	-	-	-	2.91	3.11	3.40	3.89	-	-	-
ø16 (5/8")	0.60	0.71	0.79	0.196	0.31	0.20	0.09	1.18	0.79	1.10	.196	1.10	No10-32UNF	3/8-24UNF	0.21	0.37	1.82	2.03	2.32	2.80	3.22	3.83	4.61	2.93	3.13	3.42	3.91	4.32	4.94	5.71

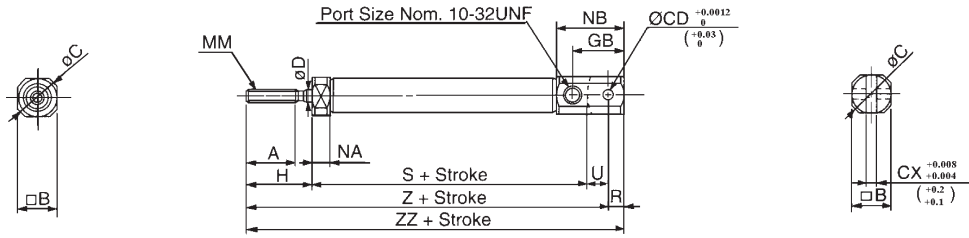
* In case of Auto Switches with ø6 Bore, add 5mm to S and Z.

SEE INSIDE FRONT COVER FOR
DETAILS OF YOUR LOCAL SALES OFFICE



FOR FURTHER TECHNICAL
DETAILS ON THIS
PRODUCT REQUEST
CATALOG REFERENCE
N301

DIMENSIONS (INCH)
STANDARD SINGLE ACTING SPRING RETURN DOUBLE CLEVIS TYPE NCJ2D_ _S

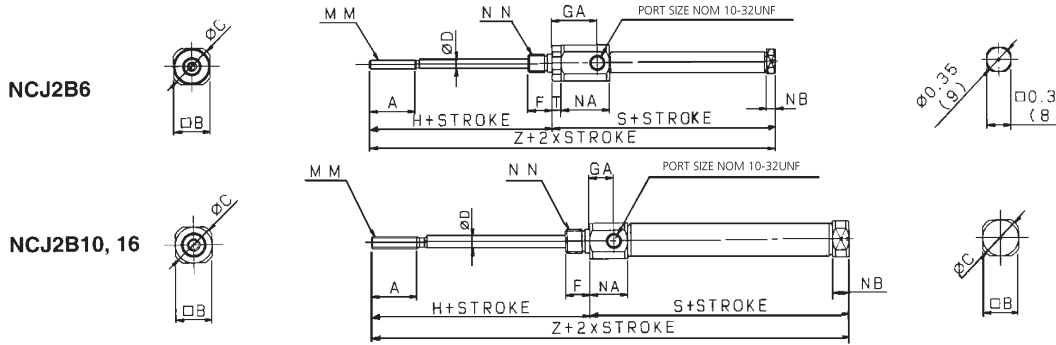


ZZ						
50	100	150	200	300	400	500
3.14	3.35	3.64	4.12	-	-	-
3.32	3.53	3.81	4.30	4.72	5.33	6.10

Bore Size	S													Z													
	A	B	C	CD	CX	D	GB	H	MM	NA	NB	R	U	50	100	150	200	300	400	500	50	100	150	200	300	400	500
ø10 (3/8")	0.60	0.47	0.55	0.187	0.188	0.157	0.75	0.79	No6-40UNF	0.22	0.93	0.24	0.31	1.80	2.01	2.30	2.78	-	-	-	2.91	3.11	3.40	3.89	-	-	-
ø16 (5/8")	0.60	0.71	0.79	0.187	0.188	0.196	0.91	0.79	No10-32UNF	0.22	1.08	0.31	0.39	1.82	2.03	2.32	2.80	3.22	3.83	4.61	3.00	3.21	3.50	3.98	4.40	5.02	5.79

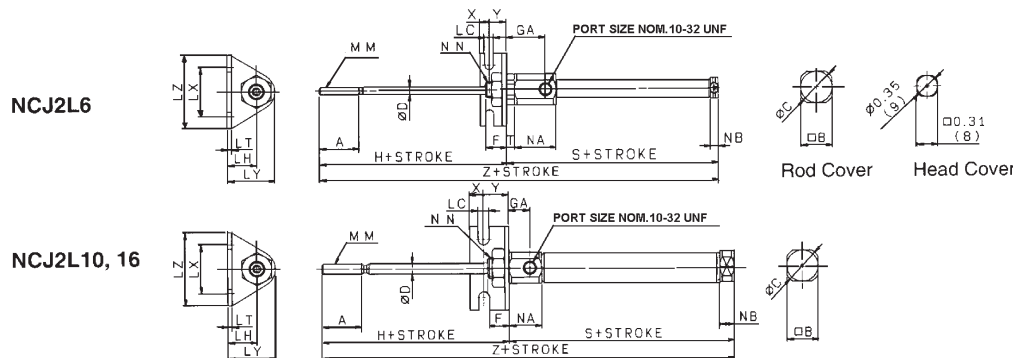
Note) Clevis Pin Included

DIMENSIONS (INCH)
STANDARD SINGLE ACTING SPRING EXTEND BASIC TYPE NCJ2B_ _T



Bore Size	S													Z												
	A	B	C	D	F	GA	H	MM	NN	NA	NB	T	50	100	150	200	300	400	500	50	100	150	200	300	400	500
ø6 (1/4")	0.60	0.47	0.55	0.125	0.31	0.57	1.10	No5-40UNC	1/4-28UNF	0.63	0.12	0.12	1.92	2.20	2.45	2.94	-	-	-	3.02	3.31	3.56	4.04	-	-	-
ø10 (3/8")	0.60	0.47	0.55	0.157	0.31	0.31	1.10	No6-40UNF	5/16-24UNF	0.49	0.22	-	1.92	2.13	2.42	2.90	-	-	-	3.02	3.23	3.52	4.00	-	-	-
ø16 (5/8")	0.60	0.71	0.79	0.196	0.31	0.31	1.10	No10-32UNF	3/8-24UNF	0.49	0.22	-	1.94	2.15	2.44	2.92	3.34	3.95	4.72	3.04	3.25	3.54	4.02	4.44	5.06	5.83

DIMENSIONS (INCH)
STANDARD SINGLE ACTING SPRING EXTEND FOOT TYPE NCJ2L_ _T



Continued NCJ2 Single Acting Spring Extend Foot Type

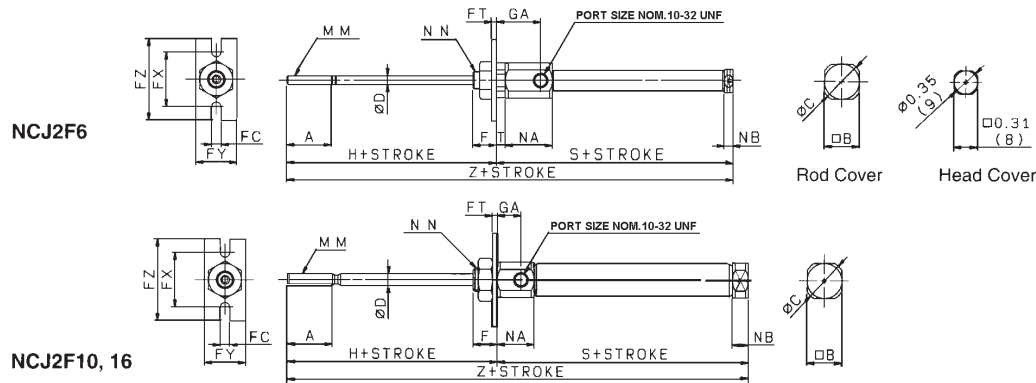
Bore Size*	A	B	C	D	F	GA	H	LC	LH	LT	LX	LY	LZ	MM	NN	NA	NB	T	X	Y	S						
																					50	100	150	200	300	400	500
ø6 (1/4")	0.60	0.47	0.55	0.125	0.31	0.57	1.10	0.13	0.43	0.06	0.74	0.71	1.10	No5-40UNC	1/4-28UNF	0.63	0.12	0.12	0.14	0.26	1.92	2.20	2.45	2.94	-	-	-
ø10 (3/8")	0.60	0.47	0.55	0.157	0.31	0.31	1.10	0.17	0.55	0.06	0.87	0.83	1.26	No6-40UNF	5/16-24UNF	0.49	0.22	-	0.21	0.38	1.92	2.13	2.42	2.90	-	-	-
ø16 (5/8")	0.60	0.71	0.79	0.196	0.31	0.31	1.10	0.20	0.55	0.09	1.18	0.94	1.38	No10-32UNF	3/8-24UNF	0.49	0.22	-	0.21	0.38	1.94	2.15	2.44	2.92	3.34	3.95	4.72

* In case of Auto Switches with ø6 Bore, add 5mm to S and Z.

Z						
50	100	150	200	300	400	500
3.02	3.31	3.56	4.04	-	-	-
3.02	3.23	3.52	4.00	-	-	-
3.04	3.25	3.54	4.02	4.44	5.06	5.83

DIMENSIONS (INCH)

STANDARD SINGLE ACTING SPRING EXTEND ROD SIDE FLANGE TYPE NCJ2F_-_T

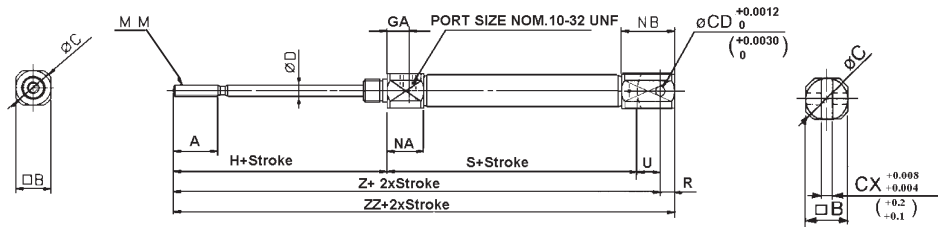


Bore Size*	A	B	C	D	F	FC	FT	FX	FY	FZ	GA	H	MM	NN	NA	NB	T	S						Z							
																		50	100	150	200	300	400	500	50	100	150	200	300	400	500
ø6 (1/4")	0.60	0.47	0.55	0.125	0.31	0.13	0.06	0.74	0.55	1.10	0.57	1.10	No5-40UNC	1/4-28UNF	0.63	0.12	0.12	1.92	2.20	2.45	2.94	-	-	-	3.02	3.31	3.56	4.04	-	-	-
ø10 (3/8")	0.60	0.47	0.55	0.157	0.31	0.17	0.06	0.87	0.55	1.26	0.31	1.10	No6-40UNF	5/16-24UNF	0.49	0.22	-	1.92	2.13	2.42	2.90	-	-	-	3.02	3.23	3.52	4.00	-	-	-
ø16 (5/8")	0.60	0.71	0.79	0.196	0.31	0.20	0.09	1.18	0.79	1.38	0.31	1.10	No10-32UNF	3/8-24UNF	0.49	0.22	-	1.94	2.15	2.44	2.92	3.34	3.95	4.72	3.04	3.25	3.54	4.02	4.44	5.06	5.83

* In case of Auto Switches with ø6 Bore, add 5mm to S and Z.

DIMENSIONS (INCH)

STANDARD SINGLE ACTING SPRING EXTEND DOUBLE CLEVIS TYPE NCJ2D_-_T



ZZ						
50	100	150	200	300	400	500
3.73	3.94	4.23	4.71	-	-	-
3.91	4.12	4.41	4.89	5.31	5.92	6.69

* Clevis Pin Included

Bore Size	A	B	C	CD	CX	D	GA	H	MM	NA	NB	R	U	S						Z							
														50	100	150	200	300	400	500	50	100	150	200	300	400	500
ø10 (3/8")	0.60	0.47	0.55	0.187	0.188	0.157	0.31	1.10	No6-40UNF	0.49	0.93	0.24	0.31	2.08	2.29	2.57	3.06	-	-	-	3.50	3.70	3.99	4.48	-	-	-
ø16 (5/8")	0.60	0.71	0.79	0.187	0.188	0.196	0.31	1.10	No10-32UNF	0.49	1.08	0.31	0.39	2.10	2.31	2.59	3.08	3.50	4.11	4.88	3.59	3.80	4.09	4.57	4.99	5.61	6.38

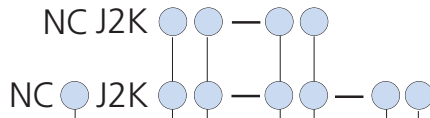
SEE INSIDE FRONT COVER FOR
DETAILS OF YOUR LOCAL SALES OFFICE



FOR FURTHER TECHNICAL
DETAILS ON THIS
PRODUCT REQUEST
CATALOG REFERENCE
N301

How To
ORDER

NCJ2 Non-ROTATING Double Acting Single Rod Cylinder



AUTO SWITCH CAPABLE
 -Not Switch Capable
 DSwitch Capable
 With Built-In Magnet

MOUNTING

- BBasic
- DDouble Clevis
- LAxial Foot
- FRod Side Flange

BORE/STD STROKE(HUNDRETHS OF AN INCH)

- ø10 (3/8") 050, 100, 150, 200, 300, 400, 500, 600
- ø16 (5/8") 050, 100, 150, 200, 300, 400, 500, 600, 700, 800

NUMBER OF SWITCHES
 -2 Pieces
 S1 Piece
 nn Pieces

APPLICABLE AUTO SWITCH
 See NCJ2 Accessories Section

PORT LOCATION ON HEAD COVER

- RIn-Line
-Perpendicular

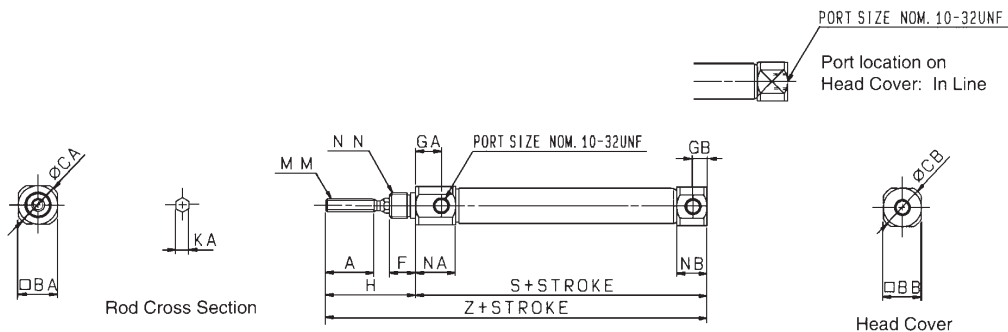
Mounting Bracket	PART NUMBER OF MOUNTING BRACKETS Bore Size (mm)	
	10	16
Foot	NCJ-L010B	NCJ-L016B
Flange	NCJ-F010B	NCJ-F016B

TECHNICAL
SPECIFICATIONS

Fluid	Air	
Proof Pressure	1MPa / 145 PSI	
Maximum Operating Pressure	0.7MPa / 100 PSI	
Minimum Operating Pressure	0.05MPa / 8.5 PSI	
Ambient and Fluid Temperature	-10°C~+70°C / 14~160°F	
Cushion	Rubber Cushion (Standard)	
Lubrication	None (Non-lube)	
Stroke Tolerance	+0.4 0mm	
Non-Rotating Accuracy	ø10: ±1.5° / ø16: ±1°	
Piston Speed	2~29.5 in/s (50~750mm/s)	
Allowable Kinetic Energy	ø10	0.30lbf in (0.35kgf cm)
	ø16	0.78lbf in (0.9kgf cm)

DIMENSIONS (INCH)

NON-ROTATING Double Acting Single Rod Basic Type NCJ2KB_ _



Bore Size	A	BA	BB	CA	CB	F	GA	GB	H	KA	MM	NN	NA	NB	S	Z
ø10 (3/8")	0.60	0.60	0.47	0.67	0.55	0.31	0.31	0.196	1.10	0.17	No6-40UNF	3/8-24UNF	0.49	0.37	1.81	2.91
ø16 (5/8")	0.60	0.71	0.71	0.79	0.79	0.31	0.31	0.196	1.10	0.20	No10-32UNF	7/16-20UNF	0.49	0.37	1.85	2.95

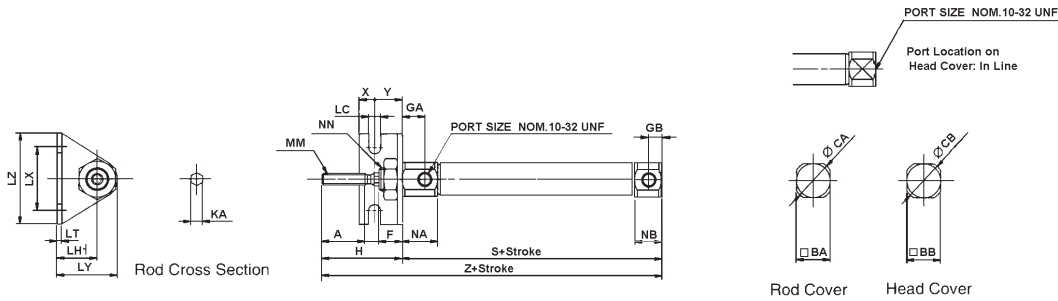
DIMENSIONS
SEE NEXT PAGE



FOR FURTHER TECHNICAL
DETAILS ON THIS
PRODUCT REQUEST
CATALOG REFERENCE
N301

DIMENSIONS (INCH)

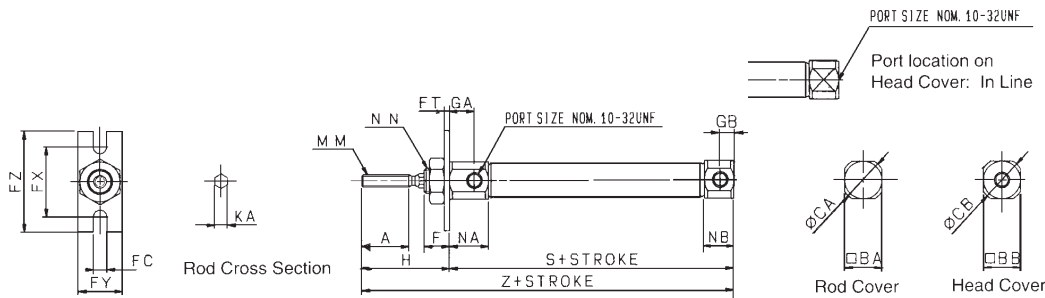
NON-ROTATING DOUBLE ACTING SINGLE ROD FOOT TYPE NCJ2KL_ _



Bore Size	A	BA	BB	CA	CB	F	GA	GB	H	KA	LC	LH	LT	LX	LY	LZ	MM	NN	NA	NB	X	Y	S	Z
ø10 (3/8")	0.60	0.60	0.47	0.67	0.55	0.31	0.31	0.196	1.10	0.17	0.20	0.55	0.09	1.18	0.94	1.38	No6-40UNF	3/8-24UNF	0.49	0.37	0.21	0.38	1.81	2.91
ø16 (5/8")	0.60	0.71	0.71	0.79	0.79	0.31	0.31	0.196	1.10	0.20	0.20	0.55	0.09	1.18	0.94	1.65	No10-32UNF	7/16-20UNF	0.49	0.37	0.21	0.38	1.85	2.95

DIMENSIONS (INCH)

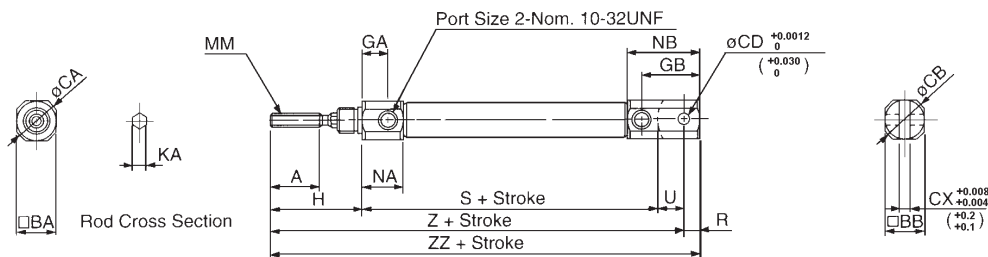
NON-ROTATING DOUBLE ACTING SINGLE ROD ROD SIDE FLANGE TYPE NCJ2KF_ _



Bore Size	A	BA	BB	CA	CB	F	FC	FT	FX	FY	FZ	GA	GB	H	KA	MM	NN	NA	NB	S	Z
ø10 (3/8")	0.60	0.60	0.47	0.67	0.55	0.31	0.20	0.09	1.14	0.79	1.38	0.31	0.196	1.10	0.17	No6-40UNF	3/8-24UNF	0.49	0.37	1.81	2.91
ø16 (5/8")	0.60	0.71	0.71	0.79	0.79	0.31	0.20	0.09	1.18	0.79	1.38	0.31	0.196	1.10	0.20	No10-32UNF	7/16-20UNF	0.49	0.37	1.85	2.95

DIMENSIONS (INCH)

NON-ROTATING DOUBLE ACTING SINGLE ROD DOUBLE CLEVIS TYPE NCJ2KD_ _



Bore Size	A	BA	BB	CA	CB	CD	CX	GA	GB	H	KA	MM	NA	NB	R	S	U	Z	ZZ
ø10 (3/8")	0.60	0.60	0.47	0.67	0.55	.187	.188	0.31	0.75	1.10	0.17	No6-40UNF	0.49	0.93	0.24	1.81	0.31	3.22	3.46
ø16 (5/8")	0.60	0.71	0.71	0.79	0.79	.187	.188	0.31	0.91	1.10	0.20	No10-32UNF	0.49	1.08	0.31	1.85	0.39	3.35	3.66

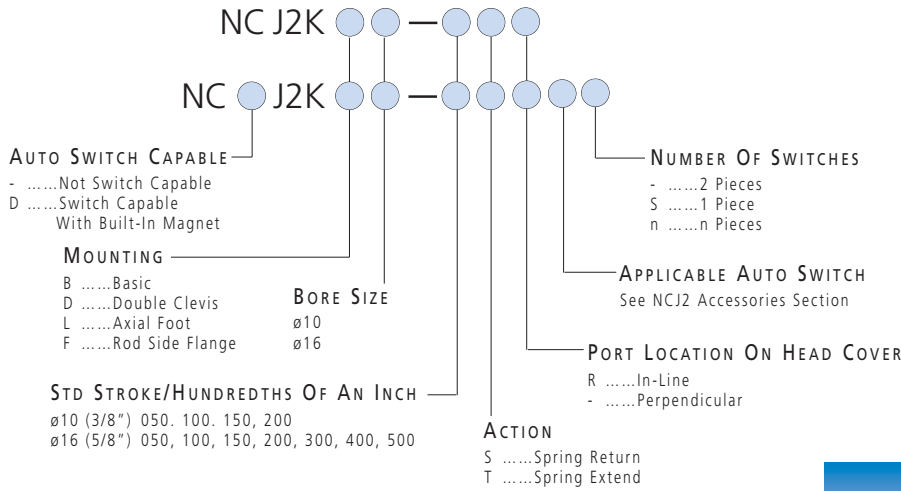
SEE INSIDE FRONT COVER FOR
DETAILS OF YOUR LOCAL SALES OFFICE



FOR FURTHER TECHNICAL
DETAILS ON THIS
PRODUCT REQUEST
CATALOG REFERENCE
N301

How To
ORDER

NCJ2 Non-ROTATING SINGLE ACTING SPRING RETURN / SPRING EXTEND CYLINDER



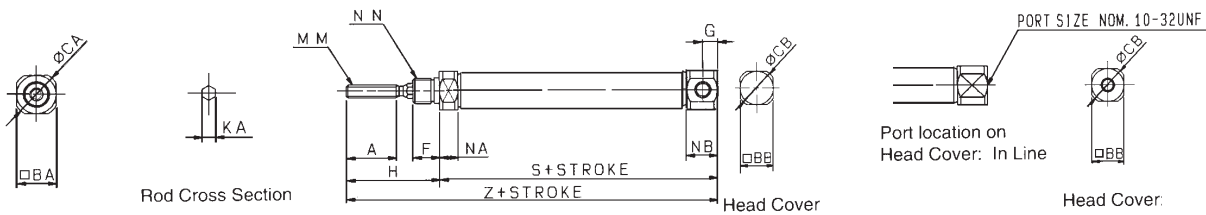
Mounting Bracket	PART NUMBER OF MOUNTING BRACKETS	
	Bore Size (mm)	
	10	16
Foot	NCJ-L010B	NCJ-L016B
Flange	NCJ-F010B	NCJ-F016B

TECHNICAL
SPECIFICATIONS

Fluid	Air	
Proof Pressure	1MPa / 145 PSI	
Maximum Operating Pressure	0.7MPa / 100 PSI	
Minimum Operating Pressure	0.14MPa / 21 PSI	
Ambient and Fluid Temperature	-10°C~+70°C / 14~160°F	
Cushion	Rubber Cushion (Standard)	
Lubrication	None (Non-lube)	
Stroke Tolerance	+0.4 0mm	
Non-Rotating Accuracy	ø10: ±1.5° / ø16: ±1°	
Piston Speed	2~29.5 in/s (50~750mm/s)	
Allowable Kinetic Energy	ø10	0.30lbf in (0.35kgf cm)
	ø16	0.78lbf in (0.9kgf cm)

DIMENSIONS (INCH)

NON-ROTATING SINGLE ACTING SPRING RETURN BASIC TYPE NCJ2KB_-_S



Bore Size	S														Z												
	A	BA	BB	CA	CB	F	G	H	KA	MM	NN	NA	NB	50	100	150	200	300	400	500	50	100	150	200	300	400	500
ø10 (3/8")	0.60	0.60	0.47	0.67	0.55	0.31	0.196	1.10	0.17	No6-40UNF	3/8-24UNF	0.21	0.37	1.80	2.01	2.30	2.78	-	-	-	2.91	3.11	3.40	3.89	-	-	-
ø16 (5/8")	0.60	0.71	0.71	0.79	0.79	0.31	0.196	1.10	0.20	No10-32UNF	7/16-20UNF	0.21	0.37	1.82	2.03	2.32	2.80	3.22	3.83	4.61	2.93	3.13	3.42	3.91	4.32	4.94	5.71

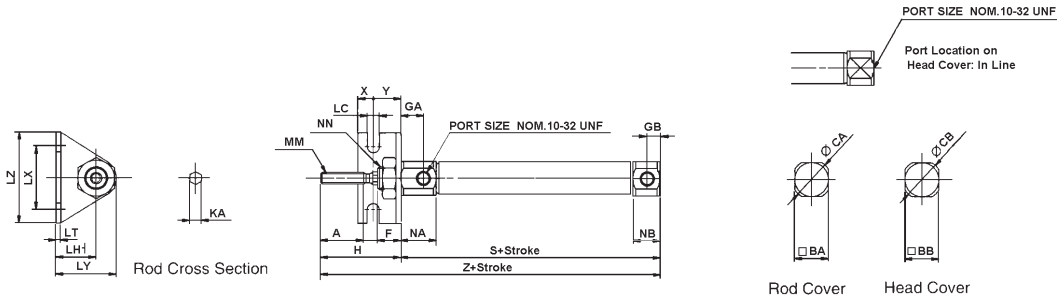
MORE DIMENSIONS
SEE NEXT PAGE



FOR FURTHER TECHNICAL
DETAILS ON THIS
PRODUCT REQUEST
CATALOG REFERENCE
N301

DIMENSIONS (INCH)

NON-ROTATING SINGLE ACTING SPRING RETURN FOOT TYPE NCJ2KL_-_S

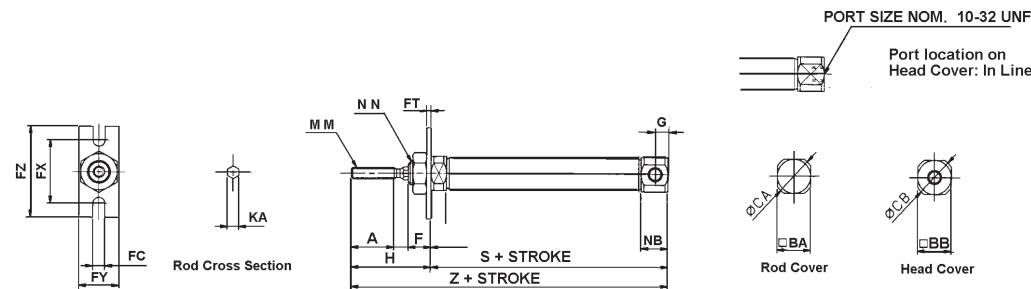


Bore Size	A	BA	BB	CA	CB	F	H	KA	LC	LH	LT	LX	LY	LZ	MM	NN	NA	NB	X	Y	S						
																					50	100	150	200	300	400	500
ø10 (3/8")	0.60	0.60	0.47	0.67	0.55	0.31	1.10	0.17	0.20	0.55	0.09	1.18	0.94	1.38	No6-40UNF	3/8-24UNF	0.21	0.37	0.21	0.38	1.80	2.01	2.30	2.78	-	-	-
ø16 (5/8")	0.60	0.71	0.71	0.79	0.79	0.31	1.10	0.20	0.20	0.55	0.09	1.18	0.94	1.65	No10-32UNF	7/16-20UNF	0.21	0.37	0.21	0.38	1.82	2.03	2.32	2.80	3.22	3.83	4.61

Z						
50	100	150	200	300	400	500
2.91	3.11	3.40	3.89	-	-	-
2.93	3.13	3.42	3.91	4.32	4.94	5.71

DIMENSIONS (INCH)

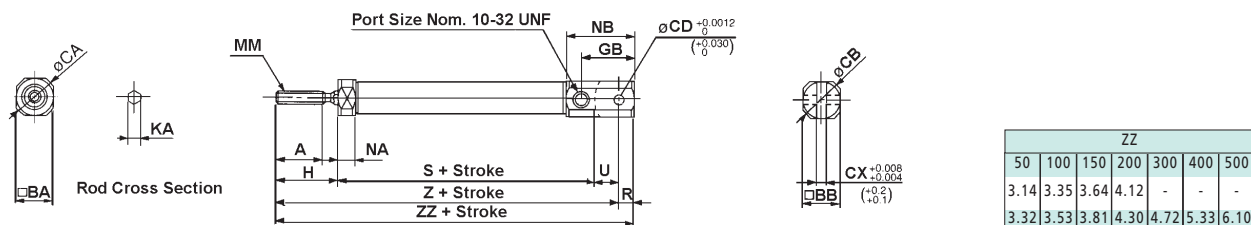
NON-ROTATING SINGLE ACTING SPRING RETURN ROD SIDE FLANGE TYPE NCJ2KF_-_S



Bore Size	A	BA	BB	CA	CB	F	G	FC	FT	FX	FY	FZ	H	KA	MM	NN	NA	NB	S						Z							
																			50	100	150	200	300	400	500	50	100	150	200	300	400	500
ø10 (3/8")	0.60	0.60	0.47	0.67	0.55	0.31	.196	0.20	0.09	1.18	0.79	1.38	1.10	0.17	No6-40UNF	3/8-24UNF	0.21	0.37	1.80	2.01	2.30	2.78	-	-	-	2.91	3.11	3.40	3.89	-	-	-
ø16 (5/8")	0.60	0.71	0.71	0.79	0.79	0.31	.196	0.20	0.09	1.18	0.79	1.38	1.10	0.20	No10-32UNF	7/16-20UNF	0.21	0.37	1.82	2.03	2.32	2.80	3.22	3.83	4.61	2.93	3.13	3.42	3.91	4.32	4.94	5.71

DIMENSIONS (INCH)

NON-ROTATING SINGLE ACTING SPRING RETURN DOUBLE CLEVIS TYPE NCJ2KD_-_S



ZZ						
50	100	150	200	300	400	500
3.14	3.35	3.64	4.12	-	-	-
3.32	3.53	3.81	4.30	4.72	5.33	6.10

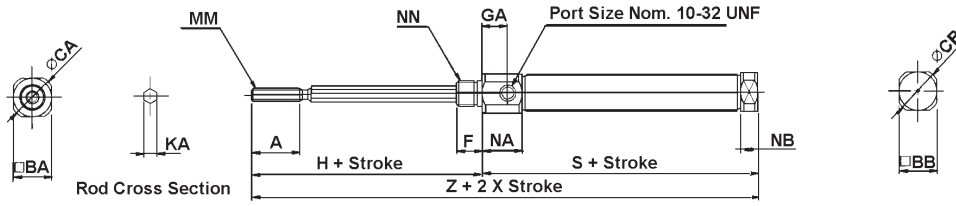
Bore Size	A	BA	BB	CA	CB	CD	CX	GB	H	KA	MM	NA	NB	R	U	S						Z							
																50	100	150	200	300	400	500	50	100	150	200	300	400	500
ø10 (3/8")	0.60	0.47	0.47	0.55	0.55	.187	.188	0.75	0.79	0.17	No6-40UNF	0.22	0.93	0.24	0.31	1.80	2.01	2.30	2.78	-	-	-	2.91	3.11	3.40	3.89	-	-	-
ø16 (5/8")	0.60	0.71	0.71	0.79	0.79	.187	.188	0.91	0.79	0.20	No10-32UNF	0.22	1.08	0.31	0.39	1.82	2.03	2.32	2.80	3.22	3.83	4.61	2.93	3.21	3.50	3.98	4.40	5.02	5.79

SEE INSIDE FRONT COVER FOR
DETAILS OF YOUR LOCAL SALES OFFICE



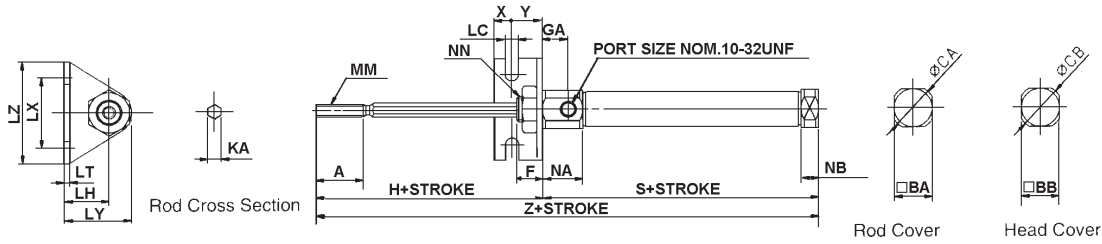
FOR FURTHER TECHNICAL
DETAILS ON THIS
PRODUCT REQUEST
CATALOG REFERENCE
N301

DIMENSIONS (INCH)
NON-ROTATING SINGLE ACTING SPRING EXTEND BASIC TYPE NCJ2KB_-_T



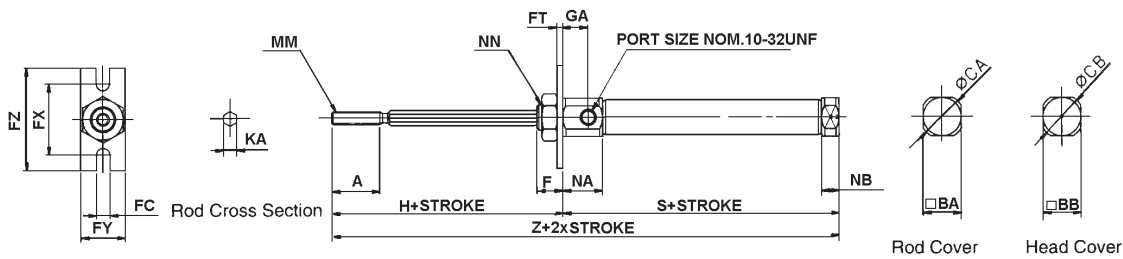
Bore Size	A	BA	BB	CA	CB	F	GA	H	KA	MM	NN	NA	NB	S					Z								
														50	100	150	200	300	400	500	50	100	150	200	300	400	500
ø10 (3/8")	0.60	0.60	0.47	0.67	0.55	0.31	0.31	1.10	0.17	No6-40UNF	3/8-24UNF	0.49	0.22	1.92	2.13	2.42	2.90	-	-	-	3.02	3.23	3.52	4.00	-	-	-
ø16 (5/8")	0.60	0.71	0.71	0.79	0.79	0.31	0.31	1.10	0.20	No10-32UNF	7/16-20UNF	0.49	0.22	1.94	2.15	2.44	2.92	3.34	3.95	4.72	3.04	3.25	3.54	4.02	4.44	5.06	5.83

DIMENSIONS (INCH)
NON-ROTATING SINGLE ACTING SPRING EXTEND FOOT TYPE NCJ2KL_-_T



Bore Size	A	BA	BB	CA	CB	F	GA	H	KA	LC	LH	LT	LX	LY	LZ	MM	NN	NA	NB	X	Y	S					Z								
																						50	100	150	200	300	400	500	50	100	150	200	300	400	500
ø10 (3/8")	0.60	0.60	0.47	0.67	0.55	0.31	0.31	1.10	0.17	0.20	0.55	0.09	1.18	0.94	1.38	No6-40UNF	3/8-24UNF	0.49	0.22	0.21	0.38	1.92	2.13	2.42	2.90	-	-	-	3.02	3.23	3.52	4.00	-	-	-
ø16 (5/8")	0.60	0.71	0.71	0.79	0.79	0.31	0.31	1.10	0.20	0.20	0.55	0.09	1.18	0.94	1.65	No10-32UNF	7/16-20UNF	0.49	0.22	0.21	0.38	1.94	2.15	2.44	2.92	3.34	3.95	4.72	3.04	3.25	3.54	4.02	4.44	5.06	5.83

DIMENSIONS (INCH)
NON-ROTATING SINGLE ACTING SPRING EXTEND ROD SIDE FLANGE TYPE NCJ2KF_-_T

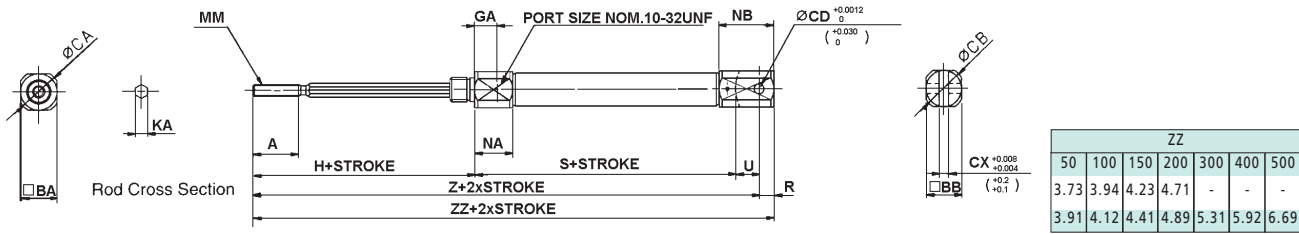


ACCESSORIES
SEE NEXT PAGE

Bore Size	A	BA	BB	CA	CB	F	FC	FT	FX	FY	FZ	GA	H	KA	MM	NN	NA	NB	S					Z								
																			50	100	150	200	300	400	500	50	100	150	200	300	400	500
ø10 (3/8")	0.60	0.60	0.47	0.67	0.55	0.31	0.20	0.09	1.18	0.79	1.38	0.31	1.10	0.17	No6-40UNF	3/8-24UNF	0.49	0.22	1.92	2.13	2.42	2.90	-	-	-	3.02	3.23	3.52	4.00	-	-	-
ø16 (5/8")	0.60	0.71	0.71	0.79	0.79	0.31	0.20	0.09	1.18	0.79	1.38	0.31	1.10	0.20	No10-32UNF	7/16-20UNF	0.49	0.22	1.94	2.15	2.44	2.92	3.34	3.95	4.72	3.04	3.25	3.54	4.02	4.44	5.06	5.83

DIMENSIONS (INCH)

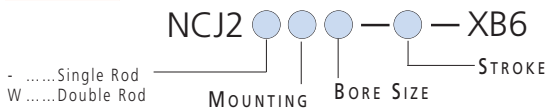
NON-ROTATING SINGLE ACTING SPRING EXTEND DOUBLE CLEVIS TYPE NCJ2KD_-_T



Bore Size	A	BA	BB	CA	CB	CD	CX	GA	H	KA	MM	NA	NB	R	U	S						Z							
																50	100	150	200	300	400	500	50	100	150	200	300	400	500
ø10 (3/8")	0.60	0.60	0.47	0.67	0.55	.187	.188	0.31	0.10	0.17	No6-40UNF	0.49	0.93	0.24	0.31	2.08	2.29	2.57	3.06	-	-	-	3.50	3.70	3.99	4.48	-	-	-
ø16 (5/8")	0.60	0.71	0.71	0.79	0.79	.187	.188	0.31	0.10	0.20	No10-32UNF	0.49	1.08	0.31	0.39	2.10	2.31	2.59	3.08	3.50	4.11	4.88	3.59	3.80	4.09	4.57	4.99	5.61	6.38

HOW TO ORDER

SERIES NCJ2 HIGH TEMPERATURE RESISTANT CYLINDER - XB6 OPTION

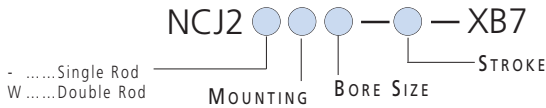


TECHNICAL SPECIFICATIONS

Applicable Cylinder Bore Size	ø6, ø10, ø16
Action	Double Acting (Single/Double Rod)
Ambient and Fluid Temperature	-10°C~+150°C / 14~300°F
Packing Material	Fluorocarbon Rubber
Special Grease	Teflon® based Grease
Mounting Type	Basic, Foot, Rod Side Flange

HOW TO ORDER

SERIES NCJ2 LOW TEMPERATURE RESISTANT CYLINDER - XB7 OPTION

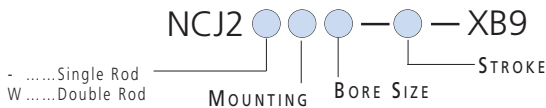


TECHNICAL SPECIFICATIONS

Applicable Cylinder Bore Size	ø6, ø10, ø16
Action	Double Acting (Single/Double Rod)
Ambient and Fluid Temperature	-55°C~+70°C / -67~160°F
Packing Material	NBR
Special Grease	Teflon® based Grease
Mounting Type	Basic, Foot, Rod Side Flange

HOW TO ORDER

SERIES NCJ2 LOW FRICTION CYLINDER - XB9 OPTION



TECHNICAL SPECIFICATIONS

Applicable Cylinder Bore Size	ø6, ø10, ø16
Action	Double Acting (Single/Double Rod)
Ambient and Fluid Temperature	-55°C~+70°C / -67~160°F
Piston Velocity	10 ~ 50 mm/s (-4 ~ 2in/s)
Mounting Type	Basic, Axial Foot, Rod Side Flange

ALSO AVAILABLE:

- XB13 OPTION - LOW SPEED
- XC22 - VITON SEALS

PLEASE CONSULT SMC CUSTOMER SERVICE

SEE INSIDE FRONT COVER FOR
DETAILS OF YOUR LOCAL SALES OFFICE



FOR FURTHER TECHNICAL
DETAILS ON THIS
PRODUCT REQUEST
CATALOG REFERENCE
N301

ACCESSORIES
SERIES NCJ2 AIR CYLINDER

NCY2 ACCESSORIES	PART NO	APPLICABLE DIAMETER
Rear Clevis Pin	NCD-J010	ø10
	NCD-J016	ø16
Double Rod Clevis	NY-J010B	ø10
	NY-J016B	ø16
Rod Jam Nut	JM-005	ø8
	JM-006	ø10
	JM-02	ø16
Mounting Nut	JM-025	ø8
	JM-03	ø10
	JM-04	ø16

ACCESSORIES
AUTO SWITCHES

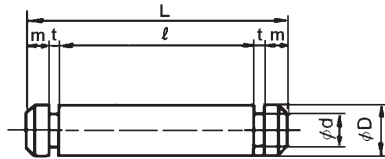
Note: Pre-wired Switches with 3/4 Pin Connectors available, please consult SMC Customer Service

MODEL	LEAD WIRE ENTRY	APPLICATIONS	LOAD VOLTAGE	MAX LOAD CURRENT/LOAD CURRENT RANGE
D-C73	Grommet	PLC	24 VDC	5 ~ 40 mA
			110VAC	5 ~ 20 mA
D-C76	Grommet	PLC	4 ~ 8 VDC	20 mA
D-C80	Grommet	PLC	24V AC/DC or less	50mA
			48V AC/DC	40mA
			100V AC/DC	20mA
D-C73C	Connector	PLC	24 VDC	5 ~ 40 mA
D-C80C	Connector	PLC	24V AC/DC	50 mA
			or less	
D-H7A1	Grommet	PLC	28 VDC	40 mA
D-H7A2	Grommet	PLC	28 VDC	80 mA
D-H7B	Grommet	24VDC	24 VDC	5 ~ 40 mA
D-H7C	Connector	PLC	(10~28 VDC)	

ACCESSORIES
SERIES NCJ2 SWITCH BANDS

BORE SIZE	PART NO
ø6	BJ2-006
ø10	BJ2010
ø16	BJ2-016

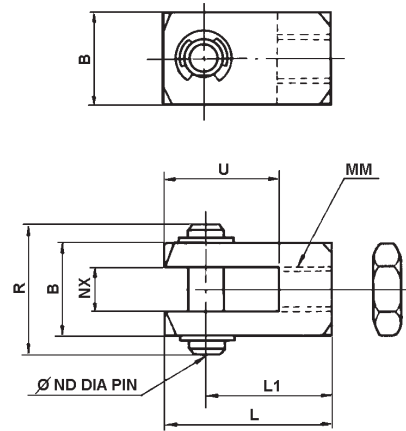
ACCESSORIES
SERIES NCJ2 REAR CLEVIS PIN



PART NO	BORE SIZE	øD	L	ød	e	M	t
NCD-J010	ø10 (3/8")	0.188	0.59	0.147	0.48	0.03	0.03
NCD-J016	ø16 (5/8")	0.187	0.90	0.147	0.72	0.06	0.03

Note) includes 2 Retaining Ring

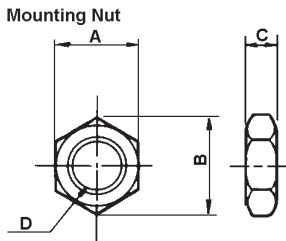
ACCESSORIES
SERIES NCJ2 PISTON ROD CLEVIS



PART NO	BORE SIZE	B	R	NX	øND	U	MM	L	L1
NY-J010B	ø10 (3/8")	0.39	0.54	0.188	0.188	0.56	No6-40UNF	0.94	0.75
NY-J016B	ø16 (5/8")	0.39	0.54	0.188	0.188	0.56	No10-32UNF	0.94	0.75

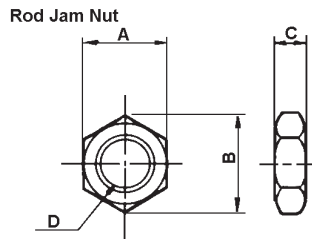
Note) includes Rod Jam Nut, Clevis Pin and 2 Retaining Rings

ACCESSORIES
SERIES NCJ2 MOUNTING NUT



PART NO	BORE SIZE	A	B	C	D
JM-025	ø6 (1/4")	0.44	0.50	0.16	1/4-28UNF
JM-03	ø10 (3/8")	0.50	0.58	0.19	5/16-24UNF
JM-04	ø16 (5/8")	0.56	0.65	0.23	3/8-24UNF

ACCESSORIES
SERIES NCJ2 ROD JAM NUT



PART NO	BORE SIZE	A	B	C	D
JM-005	ø6 (1/4")	0.31	0.11	0.11	5-40UNC
JM-006	ø10 (3/8")	0.31	0.36	0.11	6-40UNF
JM-02	ø16 (5/8")	0.38	0.43	0.13	10-32UNF