



Artisan Technology Group is your source for quality new and certified-used/pre-owned equipment

- FAST SHIPPING AND DELIVERY
- TENS OF THOUSANDS OF IN-STOCK ITEMS
- EQUIPMENT DEMOS
- HUNDREDS OF MANUFACTURERS SUPPORTED
- LEASING/MONTHLY RENTALS
- ITAR CERTIFIED SECURE ASSET SOLUTIONS

SERVICE CENTER REPAIRS

Experienced engineers and technicians on staff at our full-service, in-house repair center

*InstraView*SM REMOTE INSPECTION

Remotely inspect equipment before purchasing with our interactive website at www.instraview.com ↗

WE BUY USED EQUIPMENT

Sell your excess, underutilized, and idle used equipment. We also offer credit for buy-backs and trade-ins. www.artisanng.com/WeBuyEquipment ↗

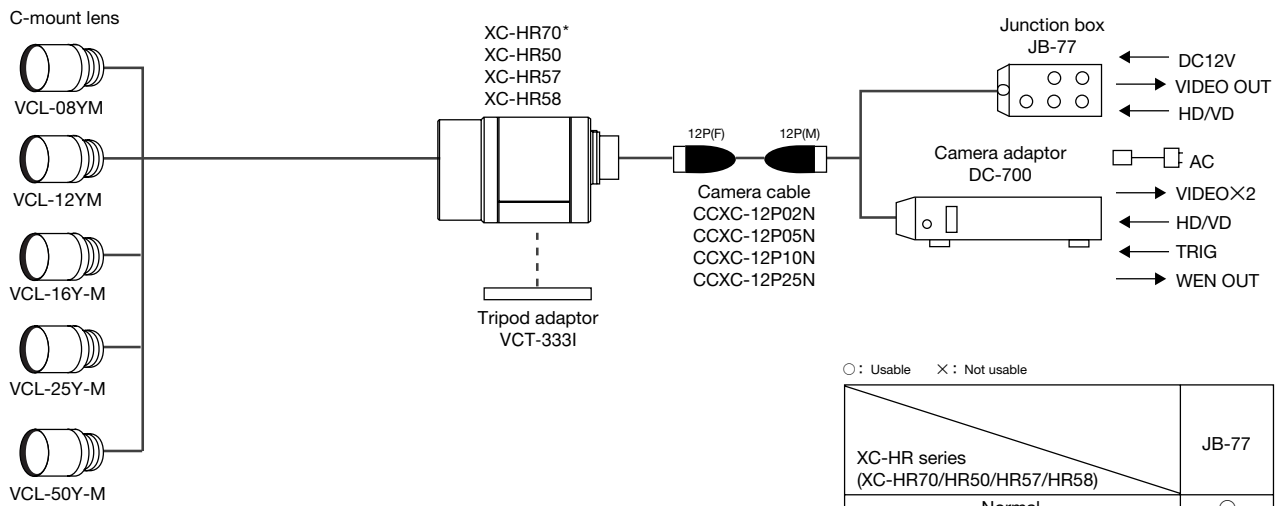
LOOKING FOR MORE INFORMATION?

Visit us on the web at www.artisanng.com ↗ for more information on price quotations, drivers, technical specifications, manuals, and documentation

Contact us: (888) 88-SOURCE | sales@artisanng.com | www.artisanng.com

Connection Diagram

XC-HR70
XC-HR50
XC-HR57
XC-HR58



○ : Usable × : Not usable

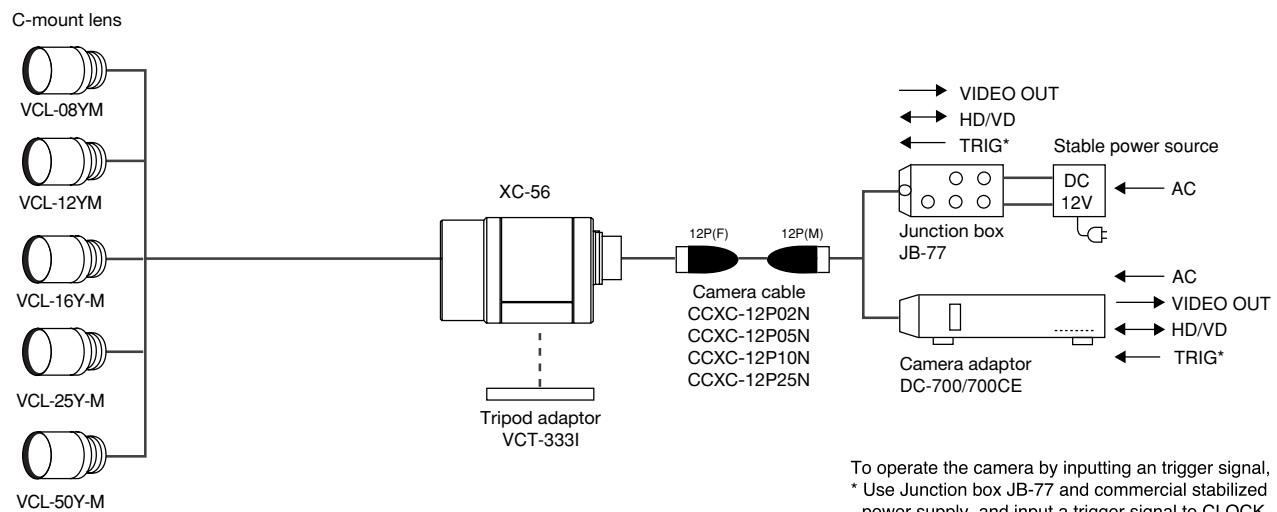
| XC-HR series (XC-HR70/HR50/HR57/HR58) | JB-77 |
|--|-------|
| Normal | ○ |
| Normal shutter | ○ |
| Restart/reset (R.R) | ○ |
| External trigger shutter | × |
| WENT OUT | × |

Note

When using the JB-77, not all of the XC-HR series functions can be used. See the table on the right.

* The XC-HR70 can use only the VCL-12YM. For information about compatibility with lenses of other manufacturers, please contact your authorized Sony dealer.

XC-56

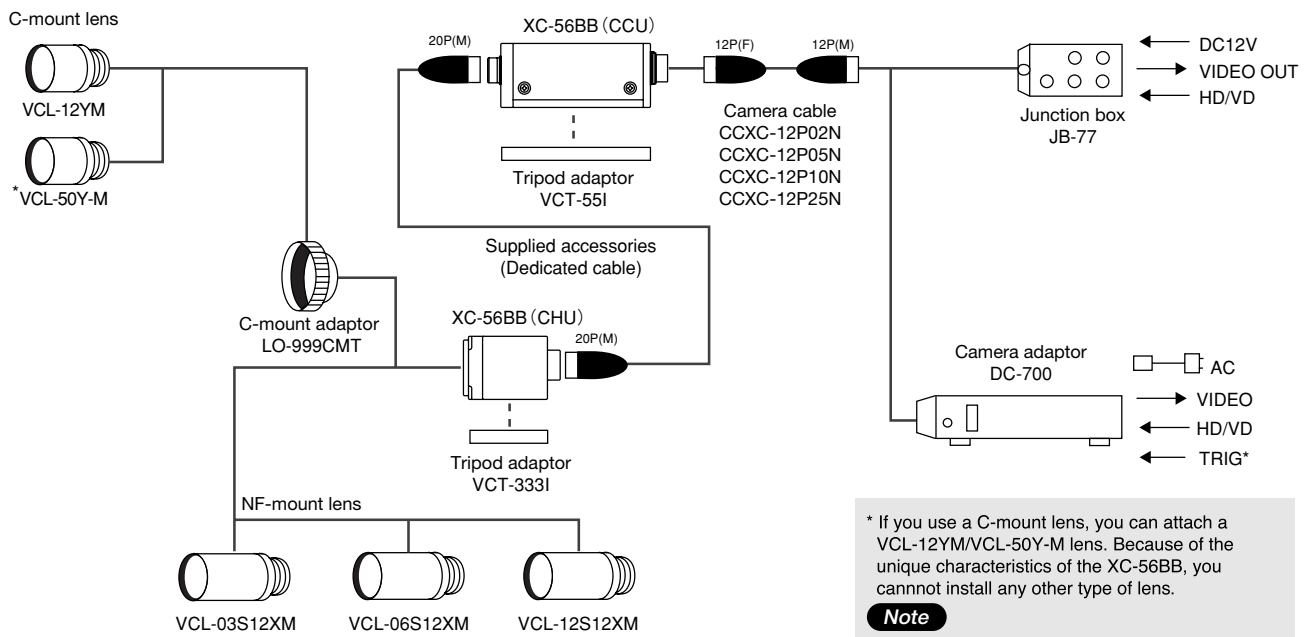


To operate the camera by inputting a trigger signal,
* Use Junction box JB-77 and commercial stabilized power supply, and input a trigger signal to CLOCK OUT connector of JB-77.

* Input a trigger signal to Video connector 2 of Camera adaptor DC-700/700CE

Connection Diagram

XC-56BB



* If you use a C-mount lens, you can attach a VCL-12YM/VCL-50Y-M lens. Because of the unique characteristics of the XC-56BB, you cannot install any other type of lens.

Note

- The XC-56BB head unit (CHU) must have the same serial number as the control unit (CCU).
- Do not connect or disconnect the supplied cable while the power is turned on, otherwise the camera may be damaged.

To operate the camera by inputting a trigger signal,
* Use Junction box JB-77 and commercial stabilized power supply, and input a trigger signal to CLOCK OUT connector of JB-77.
* Input a trigger signal to Video connector 2 of Camera adaptor DC-700/700CE

Non-TV Format

TV Format
BMW Model
Color Model

Intelligent

Digital Interface
IEEE1394

Camera Link compatible

Accessories

Color PTZ Model

Color Camera Block



Artisan Technology Group is your source for quality new and certified-used/pre-owned equipment

- FAST SHIPPING AND DELIVERY
- TENS OF THOUSANDS OF IN-STOCK ITEMS
- EQUIPMENT DEMOS
- HUNDREDS OF MANUFACTURERS SUPPORTED
- LEASING/MONTHLY RENTALS
- ITAR CERTIFIED SECURE ASSET SOLUTIONS

SERVICE CENTER REPAIRS

Experienced engineers and technicians on staff at our full-service, in-house repair center

*InstraView*SM REMOTE INSPECTION

Remotely inspect equipment before purchasing with our interactive website at www.instraview.com ↗

WE BUY USED EQUIPMENT

Sell your excess, underutilized, and idle used equipment. We also offer credit for buy-backs and trade-ins. www.artisanng.com/WeBuyEquipment ↗

LOOKING FOR MORE INFORMATION?

Visit us on the web at www.artisanng.com ↗ for more information on price quotations, drivers, technical specifications, manuals, and documentation

Contact us: (888) 88-SOURCE | sales@artisanng.com | www.artisanng.com