



Artisan Technology Group is your source for quality new and certified-used/pre-owned equipment

- FAST SHIPPING AND DELIVERY
- TENS OF THOUSANDS OF IN-STOCK ITEMS
- EQUIPMENT DEMOS
- HUNDREDS OF MANUFACTURERS SUPPORTED
- LEASING/MONTHLY RENTALS
- ITAR CERTIFIED SECURE ASSET SOLUTIONS

SERVICE CENTER REPAIRS

Experienced engineers and technicians on staff at our full-service, in-house repair center

*InstraView*SM REMOTE INSPECTION

Remotely inspect equipment before purchasing with our interactive website at www.instraview.com ↗

WE BUY USED EQUIPMENT

Sell your excess, underutilized, and idle used equipment. We also offer credit for buy-backs and trade-ins. www.artisanng.com/WeBuyEquipment ↗

LOOKING FOR MORE INFORMATION?

Visit us on the web at www.artisanng.com ↗ for more information on price quotations, drivers, technical specifications, manuals, and documentation

Contact us: (888) 88-SOURCE | sales@artisanng.com | www.artisanng.com

SONY®

CAMERA ADAPTOR

DC-700/700CE

Component / OEM



OUTLINE

The DC-700/700CE is a small, lightweight camera adaptor compatible with all the XC-Series video cameras and accessories. It is smaller and lighter than the conventional DC-77RR and DC-777 adaptors. It is designed based on new EIAJ standard 12-pin assignment, which newly includes TRIG IN and WEN OUT, and is provided with an external synchronization I/O. The DC-700 has a power requirement of 100 V AC whereas the DC-700CE is made for 100 to 240 V AC.

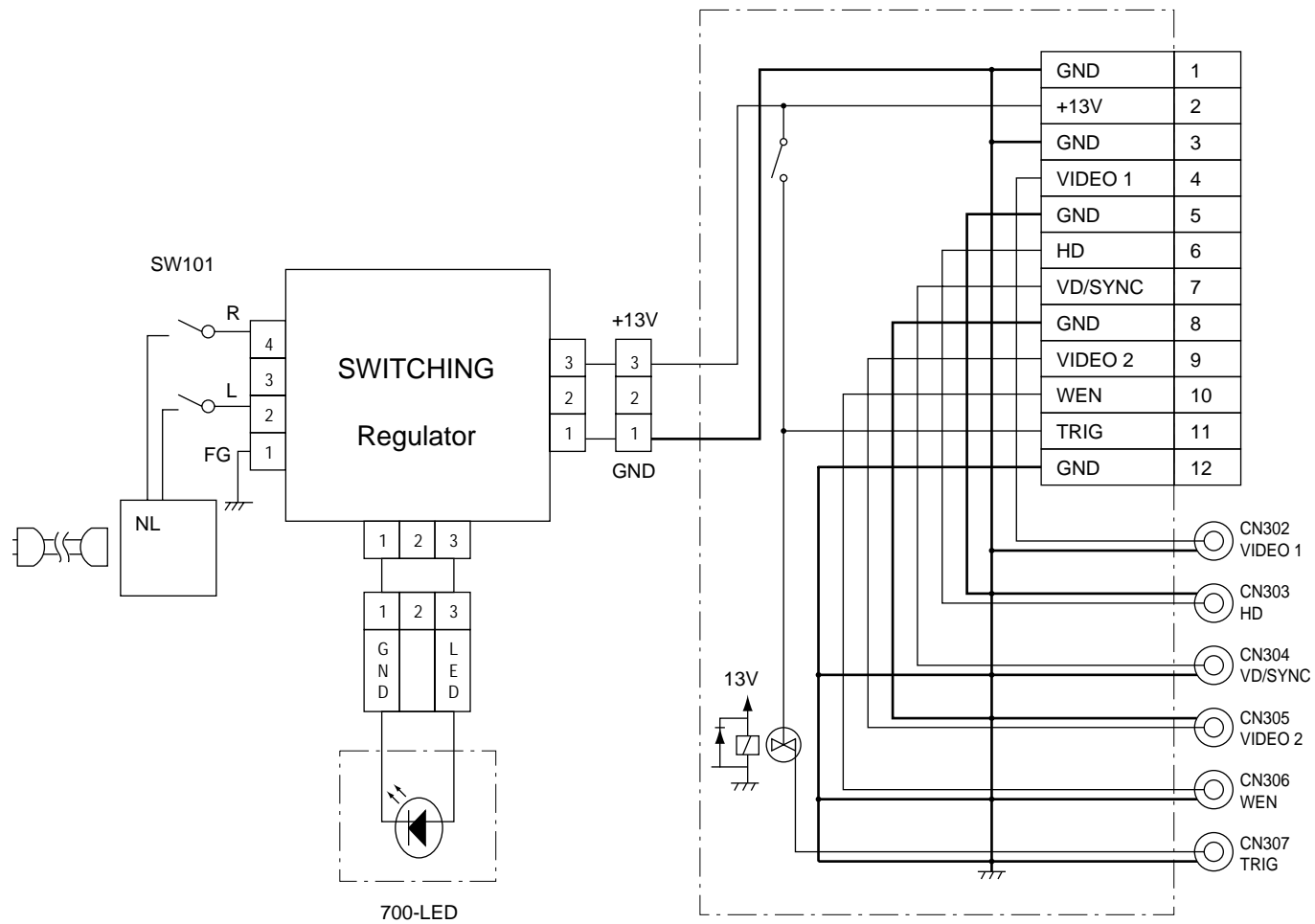
FEATURES

- Small, lightweight (700 g, 1 lb 8 oz)
- External sync IN/OUT
- Trigger input/WEN output

MAIN SPECIFICATIONS

	DC-700	DC-700CE
Power Requirements	120 V AC, 50/60Hz	100 to 240 V AC, 50/60Hz
DC output	DC 13 V, 1.3 A	
Input/Output connectors	WEN connector (BNC type) TRIG connector (BNC type) HD connector (BNC type) VD/SYBC connector (BNC type) VIDEO OUT 1 (BNC type) VIDEO OUT 2 (BNC type) CAMERA connector (BNC type)	
Mass	700 g (1 lb 8 oz)	
Dimensions	110 (W) x 53 (H) x 160 (D) mm (4 ³ / ₈ x 2 ¹ / ₈ x 6 ³ / ₈ inches)	

BLOCK DIAGRAM



COMPARISON CHART

Comparison with DC-77RR/DC-777

	DC-700/700CE	DC-77RR	DC-777
Video Output	VIDEO OUT 1 (1) VIDEO OUT (2) ¹	VIDEO OUT 2 (2) ²	VIDEO OUT (1)
S-Video Output	X	X	O
External Sync Input connector	O	O	O
Loop-through connector	X	O	X
Clock Output connector	X	O	X
WEN Output connector	O	X	X
TRIG Input connector	O	X	X

X: Not available O: Available

¹ Used only for XC-7500/8500CE/HR300.

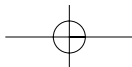
² Video output signal from pin no. 4 will be output from two BNC connectors via two buffer amps.

XC Series Cameras Input/Output Chart for DC-700/700CE

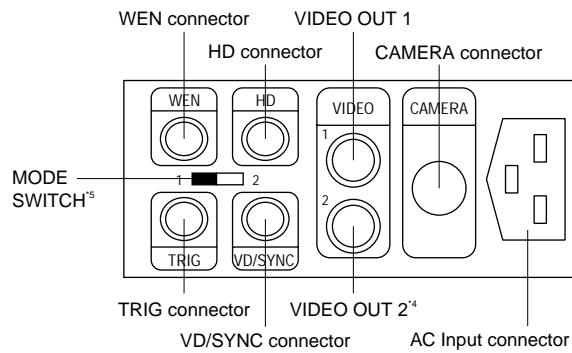
	VIDEO 1	VIDEO 2	GENLOCK IN	WEN OUT	TRIG IN
12-pin connector pin no.	No. 4	No. 9	No. 6, 7	No.10	No. 11
XC-ST Series	O	X	HD/VD	O	O
XC-E Series	O	X	HD/VD	O	O
XC-55	O	X	HD/VD	X	X ³
XC-55BB	O	X	HD/VD	X	X ³
XC-7500	O	O	HD/VD	X	X
XC-8500CE	O	O	HD/VD	X	X
XC-HR300	O	O	HD/VD	O	O
XC-75/73	O	X	HD/VD	X	X
XC-777A	O	X	HD/VD	X	X
XC-999	O	X	HD/VD	X	X
XC-003	O	X	HD/VD	X	X

X: Not available O: Available

³ If you connect the XC-55/55BB, you can use the VIDEO 2 connector as the TRIG input connector.

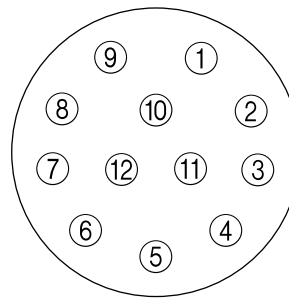


REAR PANEL



12-PIN CONNECTOR

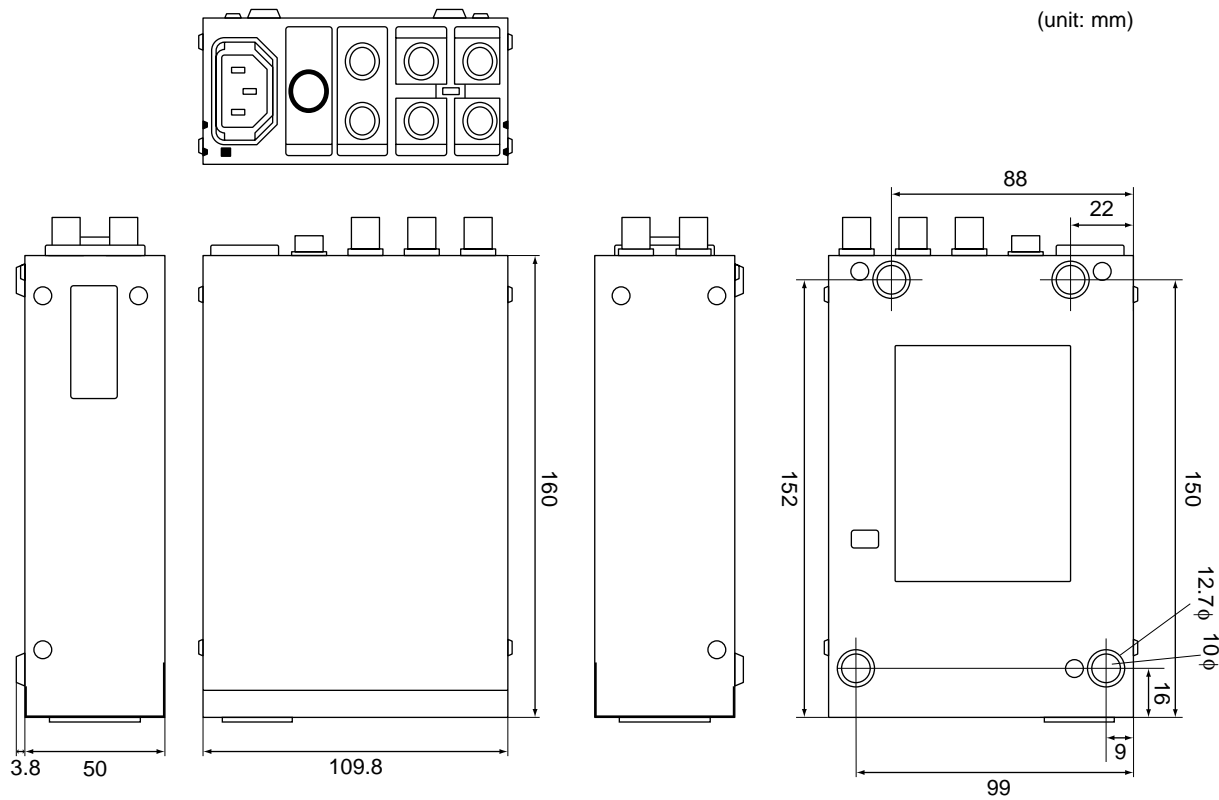
- #1 GND
- #2 +13V
- #3 GND
- #4 VIDEO 1
- #5 GND
- #6 HD
- #7 VD/SYNC
- #8 GND
- #9 VIDEO 2
- #10 WEN
- #11 TRIG
- #12 GND



⁴ Used only for XC-7500/8500CE/HR300.

⁵ Set the switch to "2" only when using XC-999/999P.

DIMENSIONS



- **Sony Electronics Inc. (USA) HQ**
- **Sony of Canada Ltd. (CANADA)**
- **Sony Broadcast & Professional Europe HQ**

1 Sony Drive Park Ridge, NJ 07656
 115 Gordon Baker Rd, Toronto, Ontario M2H 3R6
 Schipholweg 275 1171 PK Badhoevedorp The Netherlands
 Hugo-Eckener-Strasse 20 D-50829 Köln
 16-26 rue Morel 92110 Clichy
 The Heights, Brooklands, Weybridge, Surrey KT13 0XW
 Per Albin Hanssons vag 20 S-214 32 Malmö Sweden
 Via Galileo Galilei 40 I-20092 Cinisello Balsamo, Milano

(TEL:+1-800-686-7669)
<http://www.sony.com/videocameras>
 (TEL:+1-416-499-1414) (FAX:+1-416-497-1774)
 (TEL:+31-20-44-99-351) (FAX:+31-20-44-99-333)
<http://www.pro.sony-europe.com>
 (TEL:+49-221-537-8923) (FAX:+49-221-537-491)
 (TEL:+33-1-55-90-41-58) (FAX:+33-1-55-90-42-20)
 (TEL:+44-990-331122) (FAX:+44-1932-817011)
 (TEL:+46-40-190-800) (FAX:+46-40-190-450)
 (TEL:+39-02-61-83-84-26) (FAX:+39-02-618-38-402)

MK7710V1IW01APR

©2001 Sony Corporation. All rights reserved.
 Reproduction in whole or in part without written permission is prohibited.
 Design and specifications are subject to change without notice.
 Printed in Japan on recycled paper.



Artisan Technology Group is your source for quality new and certified-used/pre-owned equipment

- FAST SHIPPING AND DELIVERY
- TENS OF THOUSANDS OF IN-STOCK ITEMS
- EQUIPMENT DEMOS
- HUNDREDS OF MANUFACTURERS SUPPORTED
- LEASING/MONTHLY RENTALS
- ITAR CERTIFIED SECURE ASSET SOLUTIONS

SERVICE CENTER REPAIRS

Experienced engineers and technicians on staff at our full-service, in-house repair center

*InstraView*SM REMOTE INSPECTION

Remotely inspect equipment before purchasing with our interactive website at www.instraview.com ↗

WE BUY USED EQUIPMENT

Sell your excess, underutilized, and idle used equipment. We also offer credit for buy-backs and trade-ins. www.artisanng.com/WeBuyEquipment ↗

LOOKING FOR MORE INFORMATION?

Visit us on the web at www.artisanng.com ↗ for more information on price quotations, drivers, technical specifications, manuals, and documentation

Contact us: (888) 88-SOURCE | sales@artisanng.com | www.artisanng.com