



Artisan Technology Group is your source for quality new and certified-used/pre-owned equipment

- FAST SHIPPING AND DELIVERY
- TENS OF THOUSANDS OF IN-STOCK ITEMS
- EQUIPMENT DEMOS
- HUNDREDS OF MANUFACTURERS SUPPORTED
- LEASING/MONTHLY RENTALS
- ITAR CERTIFIED SECURE ASSET SOLUTIONS

SERVICE CENTER REPAIRS

Experienced engineers and technicians on staff at our full-service, in-house repair center

*InstraView*SM REMOTE INSPECTION

Remotely inspect equipment before purchasing with our interactive website at www.instraview.com ↗

WE BUY USED EQUIPMENT

Sell your excess, underutilized, and idle used equipment. We also offer credit for buy-backs and trade-ins. www.artisanng.com/WeBuyEquipment ↗

LOOKING FOR MORE INFORMATION?

Visit us on the web at www.artisanng.com ↗ for more information on price quotations, drivers, technical specifications, manuals, and documentation

Contact us: (888) 88-SOURCE | sales@artisanng.com | www.artisanng.com



Conforms to EN60204-1, EN954-1, EN292, EN50081, and EN50082

UL and C-UL listed, TÜV approved



SR05A

Single-Channel Safety Monitoring Relay

- Power requirements—the SR05A will accept 24 VAC or 24 VDC
- Inputs—a single N/C input channel, *not monitored*, is provided
- Outputs—the SR05A has three N/O outputs to route power to the coils of external device power contactors *plus* one N/C auxiliary output for signaling purposes
- External Device Monitoring (EDM) is provided with a N/C loop between X1 and X2 on the SR05A
- Reset mode—an automatic reset mode is provided with the SR05A

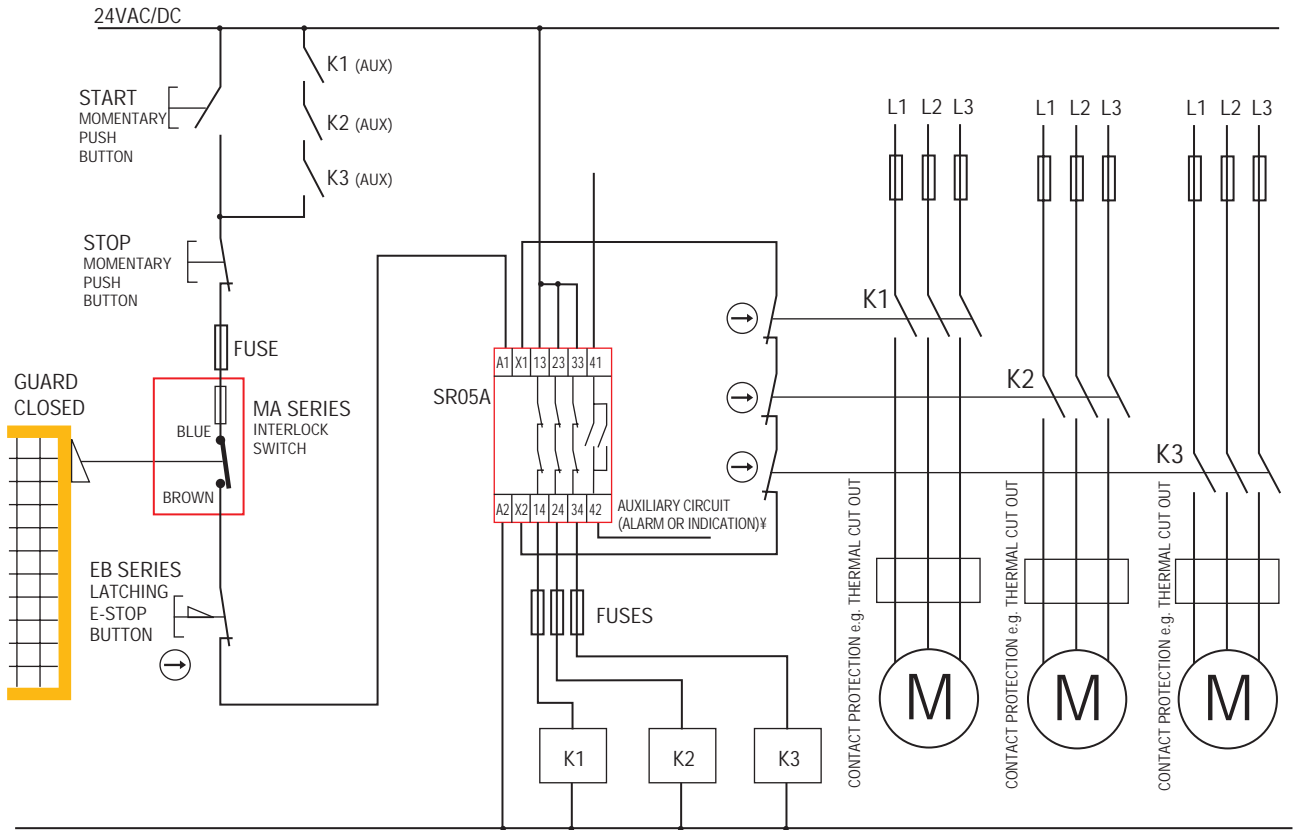


If you are considering this product for a new application please review the relay selection guide at www.sti.com/relays

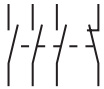
Application

For an explanation of circuit operation, see www.sti.com/pdf/2407.pdf

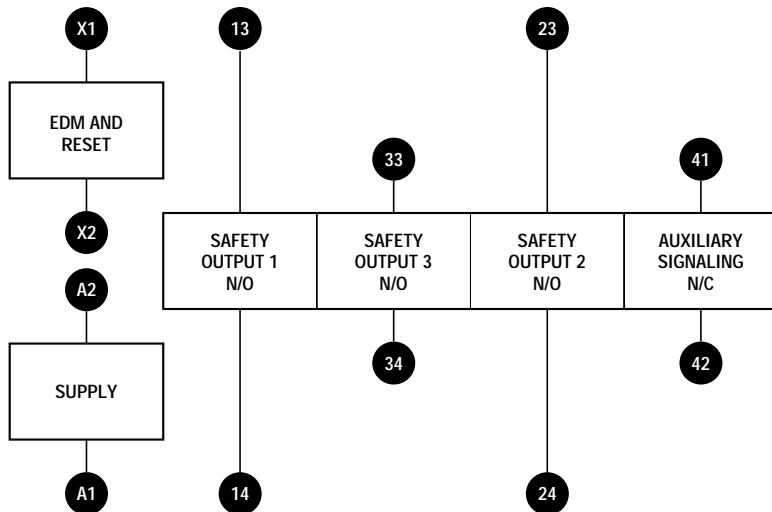
safety monitoring relays



Output Contact Arrangements

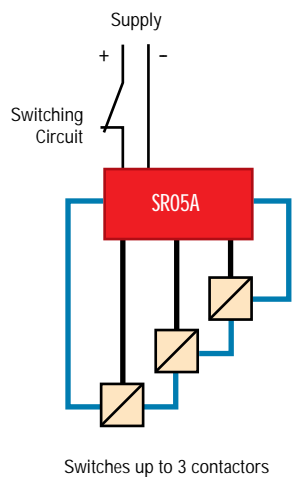


Terminal Connections



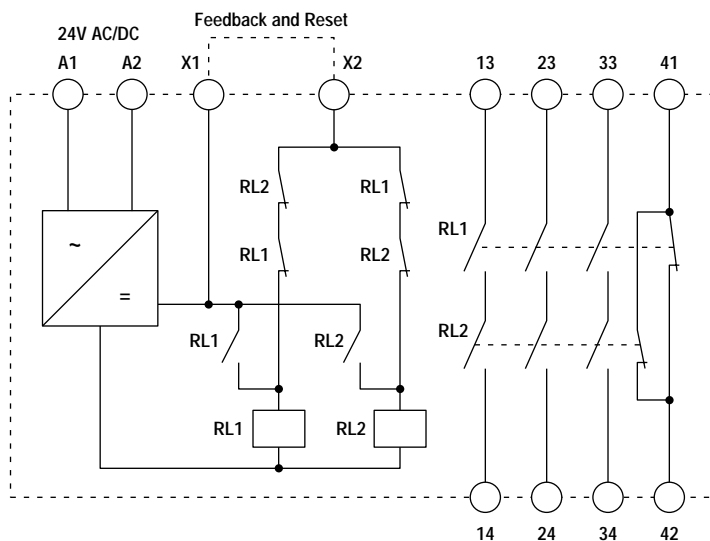
A Go to the Engineering Guide For in-depth information on safety standards and use.

■ **Circuit Example**

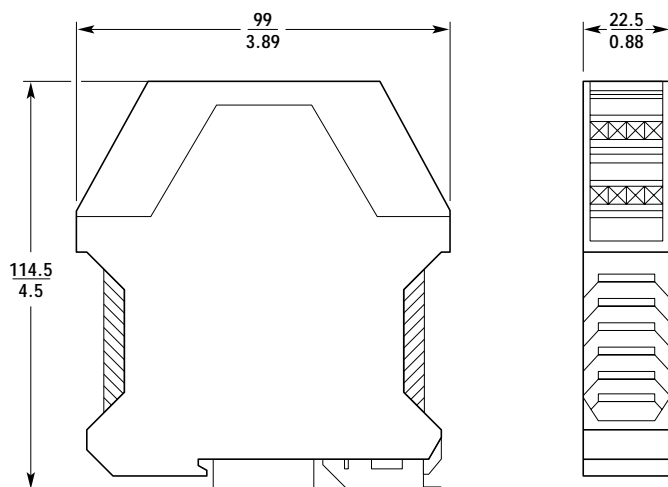


Key

- EDM circuit
- Contactor coil switching circuit
- Supply inclusive of switching circuit
- Contactor



■ **Dimensions — mm/in.**



H
safety monitoring relays

■ Specifications

Electrical	All Models
Power Supply:	±15%, 24 VAC/DC
Power Consumption:	<2 VA
Internal Fuse:	N/A
Safety Inputs:	1 N/C (not monitored)
Relay Outputs:	3 N/O + 1 N/C auxiliary
Max Switched AC:	Inductive AC-15, 4 A/250 V
Max Switched DC:	Inductive DC-13, 2 A/30 V
Min Switched Current/Voltage:	10 mA/10 V
Impulse Withstand Voltage:	2500 V
Max Drop-Out Time:	24 VDC: 190 ms; 24 VAC: 230 ms
Max Output Fuse:	5 A quick-acting fuse
Reset Mode:	Automatic (time to reset is 35-50 ms)
External Device Monitoring (EDM):	N/C loop X1–X2
Mechanical	
Mounting:	35 mm (1.38 in.) DIN rail
Case Material:	Polyamide PA6.6
Max Wire Size:	2 x 1 mm (20 AWG) stranded; 2 x 1.5 mm (15 AWG) solid
Weight:	197 g (6.9 oz.)
Color:	Red
Internal Switches:	None
Indication:	Green = Outputs closed
Mechanical Life:	1 x 10 ⁶ operations
Environmental	
Enclosure Protection:	IP40 (NEMA 1)
Operating Temperature:	-10 to 55°C (14 to 131°F)
Humidity:	90% RH at 50°C (122°F)

Specifications are subject to change without notice.

Note: The safety contacts of the STI switches are described as normally closed (N/C)—i.e., with the guard closed, actuator in place, and the machine able to be started.

■ Ordering

Model	Supply	Inputs	Outputs	Auxiliary	Part No.
SR05A24	24 VAC/DC	1 N/C	3 N/O	1 N/C	44510-0300



Go to the Engineering Guide
For in-depth information on safety standards and use.



USA Tel. 1/888/510-4357
Canada Tel. 1/800/221-7060

UK Tel. +44 (0) 1395-273-209
Europe Tel. +49 (0) 5258-938-776

Japan Tel. +81-466-22-1132
China Tel. +86-21-5836-7708
Singapore Tel. +65-648-44-001



For the Latest Information
On the Internet: www.sti.com
E-mail: sales@sti.com



Artisan Technology Group is your source for quality new and certified-used/pre-owned equipment

- FAST SHIPPING AND DELIVERY
- TENS OF THOUSANDS OF IN-STOCK ITEMS
- EQUIPMENT DEMOS
- HUNDREDS OF MANUFACTURERS SUPPORTED
- LEASING/MONTHLY RENTALS
- ITAR CERTIFIED SECURE ASSET SOLUTIONS

SERVICE CENTER REPAIRS

Experienced engineers and technicians on staff at our full-service, in-house repair center

*InstraView*SM REMOTE INSPECTION

Remotely inspect equipment before purchasing with our interactive website at www.instraview.com ↗

WE BUY USED EQUIPMENT

Sell your excess, underutilized, and idle used equipment. We also offer credit for buy-backs and trade-ins. www.artisanng.com/WeBuyEquipment ↗

LOOKING FOR MORE INFORMATION?

Visit us on the web at www.artisanng.com ↗ for more information on price quotations, drivers, technical specifications, manuals, and documentation

Contact us: (888) 88-SOURCE | sales@artisanng.com | www.artisanng.com