



## Artisan Technology Group is your source for quality new and certified-used/pre-owned equipment

- FAST SHIPPING AND DELIVERY
- TENS OF THOUSANDS OF IN-STOCK ITEMS
- EQUIPMENT DEMOS
- HUNDREDS OF MANUFACTURERS SUPPORTED
- LEASING/MONTHLY RENTALS
- ITAR CERTIFIED SECURE ASSET SOLUTIONS

### SERVICE CENTER REPAIRS

Experienced engineers and technicians on staff at our full-service, in-house repair center

### *InstraView*<sup>SM</sup> REMOTE INSPECTION

Remotely inspect equipment before purchasing with our interactive website at [www.instraview.com](http://www.instraview.com) ↗

### WE BUY USED EQUIPMENT

Sell your excess, underutilized, and idle used equipment. We also offer credit for buy-backs and trade-ins. [www.artisanng.com/WeBuyEquipment](http://www.artisanng.com/WeBuyEquipment) ↗

### LOOKING FOR MORE INFORMATION?

Visit us on the web at [www.artisanng.com](http://www.artisanng.com) ↗ for more information on price quotations, drivers, technical specifications, manuals, and documentation

**Contact us:** (888) 88-SOURCE | [sales@artisanng.com](mailto:sales@artisanng.com) | [www.artisanng.com](http://www.artisanng.com)

**StorCase® Technology**  
**Data Express®**  
**DE110**

*Removable*  
*Ultra ATA133*  
*Drive Enclosure*

**User's Guide**

---

**StorCase® Technology**

**Data Express® DE110**

*Removable  
Ultra ATA133  
Drive Enclosure*

**User's Guide**

**Part No. D89-0000-0158 C03    October 2005**

*Kingston Technology Affiliate*



**StorCase Technology, Inc.**  
**17600 Newhope Street**  
**Fountain Valley, CA 92708-9885**  
**Phone (714) 438-1850      Fax (714) 438-1847**

## LIMITED WARRANTY

STORCASE TECHNOLOGY, Incorporated ("StorCase") warrants that its products will be free from defects in material and workmanship, subject to the conditions and limitations set forth below. StorCase will, at its option, either repair or replace any part of its product that proves defective by reason of improper workmanship or materials. Repair parts or replacement products will be provided by StorCase on an exchange basis, and will be either new or reconditioned to be functionally equivalent to new.

This warranty does not cover any product damage that results from accident, abuse, misuse, natural or personal disaster, external power surge or failure, or any unauthorized disassembly, repair or modification. StorCase will not be responsible for any software, firmware or other customer data stored within, or interfacing with a StorCase product.

### Duration of Warranty

**Seven-Year Warranty:** The following StorCase products are covered by this warranty for a period of seven (7) years from the original date of purchase from StorCase or its authorized resellers: all Data Express<sup>®</sup> removable device enclosures and all Data Silo<sup>®</sup>, Data Stacker<sup>®</sup> and InfoStation<sup>®</sup> external expansion chassis, except for those components integrated into or purchased separately for use with these products which are identified and covered by the three-year or hard drive warranties described below. All StorCase interface cables and other accessories specifically intended for use with the StorCase products identified above are also covered by this (7) year warranty.

**Three-Year Warranty:** The following components integrated into or purchased separately for use with StorCase Data Express, Data Silo, Data Stacker and/or InfoStation products are subject to warranty for a period of three (3) years from the original date of purchase from StorCase or its authorized resellers: all RAID controllers, power supplies, fans and blowers.

**Two-Year Warranty:** The following StorCase products are covered by this warranty for a period of two (2) years from the original date of purchase from StorCase or its authorized resellers: all Rhino<sup>®</sup>JR fixed external expansion chassis (model types "FJR") and all Rhino/JR removable device enclosures (model types "RJR").

**One-Year Warranty:** All StorCase products identified as Reconditioned or "Special Inventory" are covered by this warranty for a period of one (1) year from the original date of purchase from StorCase or its authorized resellers. Reconditioned products may only be exchanged for reconditioned products.

**Hard Disk Drive Warranty:** All hard disk drives purchased from StorCase or through its authorized resellers, whether purchased separately or integrated into StorCase products, are subject to the warranty terms and conditions provided by the drive manufacturer.

**Third Party Software Warranty:** All third party software purchased from StorCase for use with and/or as part of StorCase products is subject to the warranty terms and conditions provided by the software manufacturer.

## Warranty Claim Requirements

To obtain warranty service, the defective product must be returned to your local authorized StorCase dealer or distributor, or, with prior StorCase approval, to the StorCase factory service center.

For defective products returned directly to StorCase, a Return Material Authorization (“RMA”) number must be obtained by calling StorCase Customer Service at (714) 445-3455. The RMA number must be prominently displayed on the outside of the return package. Shipments must be freight-prepaid and insured, and must include the product serial number, a detailed description of the problem experienced, and proof of the original retail purchase date. Products must be properly packaged to prevent damage in transit. Damage resulting from improper packaging will not be covered by this warranty. The StorCase factory service center is located at 17650 Newhope Street, Receiving Dock, Gate #4, Fountain Valley, CA 92780, U.S.A.

## Free Technical Support

StorCase provides free technical support. If you experience any difficulty during the installation or subsequent use of a StorCase product, please contact StorCase’s Technical Support Department prior to servicing your system. This warranty covers only repair or replacement of defective StorCase products, as described above. StorCase is not liable for, and does not cover under warranty, any costs associated with servicing and/or installation of StorCase products.

StorCase Technical Support can be reached in the U.S. at (714) 438-1858 or toll-free at (888) 435-5460 (U.S. and Canada only). StorCase European Technical Support can be reached in the U.K. at +44 (0) 1932 738900.

## Disclaimers

**The foregoing is the complete warranty for the products identified above and supersedes all other warranties and representations, whether oral or written. StorCase expressly disclaims all warranties for the identified products, which are not stated herein, including, to the extent permitted by applicable law, any implied warranty of merchantability or fitness for a particular purpose. In no event will StorCase be liable to the purchaser, or to any user of a StorCase product, for any damages, expenses, lost revenues, lost savings, lost profits, or any other incidental or consequential damages arising from the purchase, use or inability to use a StorCase product, even if StorCase has been advised of the possibility of such damages.**



Copyright © 2005 StorCase Technology. All rights reserved. All registered trademarks are the property of StorCase Technology. All other logos and trademarks are properties of their respective companies.



## Declaration of Conformity

**Company Name:** StorCase Technology, Inc.

**Corporate Office Address:** 17600 Newhope Street  
Fountain Valley, CA 92708

**Manufacturing Address:** 17600 Newhope Street  
Fountain Valley, CA 92708

**Product Name:** Data Express PATA DE110

**Model Number:** S21B100, S21B101, S21B102, S21B103,  
S21B104, S21B105

Conforms to the following standards:

**EMC Directives:** EN 50081-1: 1992 Generic Emission  
(89/336/EEC) - EN 55022/CISPR22 Class B  
- EN 61000-3-2  
- EN 61000-3-3  
EN 55024: 1998 Generic Immunity  
- EN 61000-4-2 - EN 61000-4-6  
- EN 61000-4-3 - EN 61000-4-8  
- EN 61000-4-4 - EN 61000-4-11  
- EN 61000-4-5


**Safety Standards:**  
CSA (NRTL/C) CAN/CSA-C22.2 No. 950-95  
UL 1950

**TUV** EN 60950: 1992 EN 60950/A2: 1993  
EN 60950/A1: 1993 EN 60950/A3: 1995

**EMI Standards:** FCC Part 15, Class B

**EMC Standards:** AS/NZS 3548 Information Technology Equipment

**Year of Manufacture:** 2001

Signature:   
Full name: Dieter Paul  
Position: President

---

## Table of Contents

INTRODUCTION .....	1
Packaging Information .....	1
Serial Numbers .....	1
Package Contents .....	2
General Description .....	3
Receiving Frame Front Panel .....	4
Drive Carrier .....	5
Receiving Frame Rear Panel .....	6
INSTALLATION .....	7
Preparation .....	7
Installing the Drive into the Carrier .....	8
Installing the Receiving Frame .....	9
Selecting the Unit ID Number .....	12
APPENDICES .....	15
Appendix A - Specifications/Dimensions .....	16
Appendix B - Optional Accessories .....	18
Carrying Case .....	18
Reader's Comments .....	19

## List of Figures

Figure 1:	Package Contents .....	2
Figure 2:	DE110 Receiving Frame and Carrier .....	3
Figure 3A:	Receiving Frame Front Panel .....	4
Figure 3B:	Receiving Frame Unit ID Number and Activity Display .....	5
Figure 4:	Drive Carrier .....	5
Figure 5:	Receiving Frame Motherboard (Rear View) .....	6
Figure 6:	Drive Installation Assembly .....	8
Figure 7:	Drive Cover Installation .....	8
Figure 8:	Receiving Frame Mounting Holes .....	9
Figure 9:	Unit ID Select Switch Location .....	11
Figure A-1:	DE110 Physical Dimensions .....	17
Figure B-1:	Carrying Case .....	18

## List of Tables

Table 1:	Unit ID Select Switch Settings .....	12
----------	--------------------------------------	----

**NOTICE:** This User's Guide is subject to periodic updates without notice. While reasonable efforts have been made to ensure the accuracy of this document, StorCase Technology, Inc. assumes no liability resulting from errors or omissions in this publication, or from the use of the information contained herein.

Please check the StorCase web site at <http://www.storcase.com> or contact your StorCase representative for the latest revision of this document.



## INTRODUCTION

### Packaging Information

The StorCase Technology Data Express® system is shipped in a container designed to provide protection and prevent damage during shipment. The Data Express unit was carefully inspected before and during the packing procedure at the factory. Bent or broken connectors, or evidence of other damage to the Data Express should be reported to the shipper immediately. Refer to Figure 1 for the package contents.

If the wrong Data Express model has been received, please call your reseller or StorCase at (800) 435-0642 to arrange for a Return Material Authorization (RMA). StorCase cannot accept returns which do not display an RMA number on the outside of the package. Return the unit with all the original packing materials.

Before removing any component from its packaging, discharge any static electricity by touching a properly grounded metal object.

### Serial Numbers

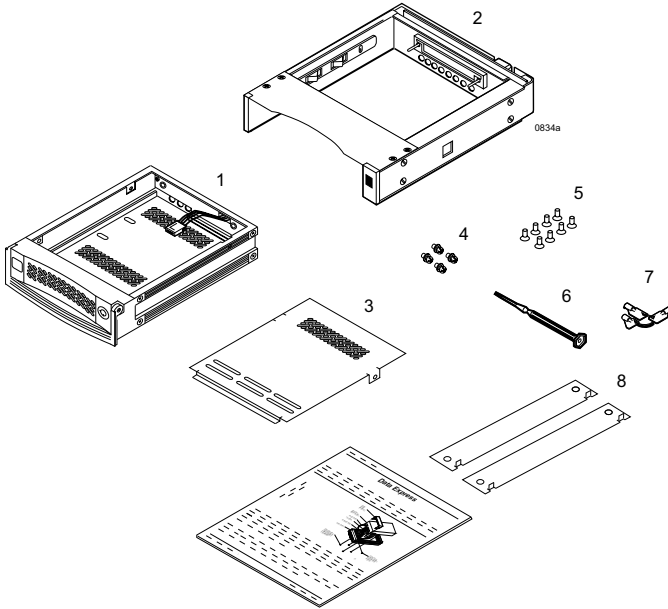
Both the DE110 receiving frame and carrier are labeled with serial numbers. These numbers must be reported to the StorCase Customer Service Representative in order to receive a Return Material Authorization (RMA) for warranty claims. Locate the serial number labels and record the numbers in the spaces provided below.

**Receiving Frame:**

**Device Carrier:**

## Package Contents

The DE110 package contents include the following items. If any item is missing or damaged, contact your StorCase dealer for a replacement.



One Data Express Ultra ATA/100 Removable Enclosure	Carrier & Rec. Frame	Carrier Only	Rec. Frame Only
1. Drive Carrier	1	1	
2. Receiving Frame	1		1
3. Drive Cover	1	1	
4. #6-32 Phillips Machine Hd. Screws	4		4
5. #6-32 Phillips Flat Hd. Screws	8	8	
6. Alignment Tool	1		1
7. Drive Lock Keys	1 Set	1 Set	
8. Spacer Plates	2		2
9. Insert Sheet	1	1	1

0834L

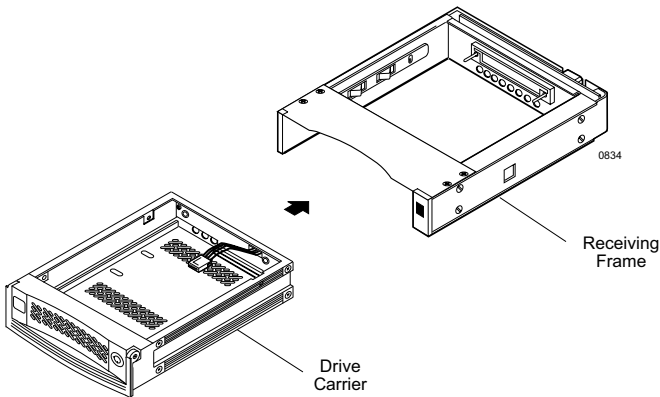
Figure 1: Package Contents

## General Description

**NOTE:** For Ultra ATA133 (133MByte/sec) operation, an Ultra ATA133 controller and hard drive(s), and appropriate 40-pin, 80-conductor cable are required.

The StorCase Technology **Data Express® DE110** is a removable drive carrier and receiving frame, designed to provide durable and reliable mounting for one (1) low-profile (up to 1" high) 3.5" Ultra ATA133 drive within a 5.25" half-height peripheral slot (Figure 2). It is downward-compatible with earlier technology IDE drives.

The Ultra ATA133 DE110 allows a drive to be removed and transported to another Ultra ATA133 DE110-equipped computer or expansion chassis, and also provides the ability to secure sensitive data by removing and storing the drive safely for future use.



*Figure 2: DE110 Receiving Frame and Carrier*

This User's Guide describes the steps required to install the DE110 removable enclosure inside a computer peripheral bay or external expansion chassis. This guide supplements documentation provided with the host computer system, operating system, and the drive to be installed within the carrier.

## Receiving Frame Front Panel

(Figures 3A & 3B)

- **Unit ID Number Indicator** (Figures 3A & 3B) - This LED displays the physical address of the DE110 device carrier if the carrier is *Installed and Locked* in the receiving frame or if the carrier is *removed* from the receiving frame. If the carrier is *Installed but not Locked* in the receiving frame, a "u" will be displayed to indicate an unlocked condition. The unit ID number is selected by means of the unit ID select switch inside the receiving frame using a special alignment tool supplied with the DE110 (see Figure 9).
- **The Activity Indicator** (Figures 3A & 3B) - A small dot next to the unit ID number illuminates to indicate when the host computer is accessing the data on the DE110 carrier. This dot will flash during communication with the host computer.

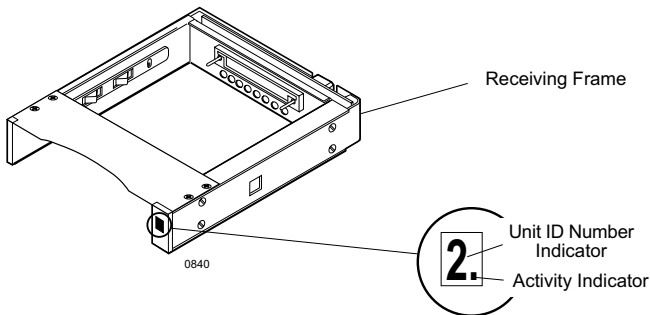
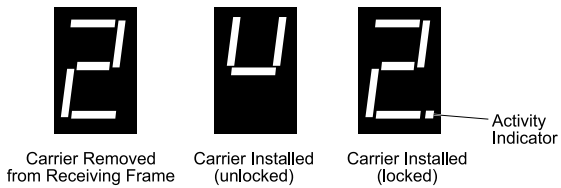


Figure 3A: Receiving Frame Front Panel



The number "2" shown above is for illustration purposes only. It can be any valid unit ID number. The letter "u" (above middle) will appear as illustrated.

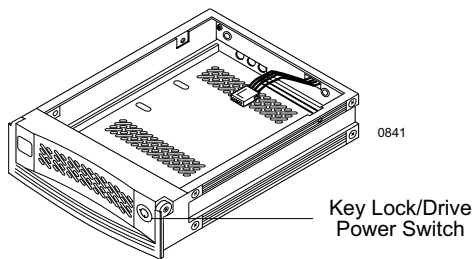
0064

*Figure 3B: Receiving Frame Unit ID Number and Activity Display*

## Drive Carrier

(Figure 4)

- **Key Lock/Drive Power Switch** (Figure 4) - Performs three functions. The key switch assures proper seating of the drive carrier within the receiving frame, turns power to the drive carrier ON and OFF, and prevents unauthorized removal or installation of the carrier. For the computer to access data on the disk drive, the key must be turned counterclockwise to the locked position.



*Figure 4: Drive Carrier*

## Receiving Frame Rear Panel

(Figure 5)

- **I/O Connector (JP1)** - The input/output connector provides a standard interface for all IDE signals (Figure 5).
- **DC Power Connector (P1)** - A standard 4-pin DC power connector is used to accept DC power.
- **Option Pins (W1)**

**Master/Slave Selection Jumper (ID0 & ID1)** - Master Drive designation (jumper is factory-installed on ID0). Change jumper position to Pins 3 & 4 (ID1) for Slave Drive designation.

Forces Master/Slave Drive configuration on the receiving frame, if jumper option on the drive itself is configured for *Cable Selection* (recommended configuration). Refer to page 7 for further information.

If using the *Drive Select Method*, this option is instead used to configure the unit ID display only (refer to page 7 for further information).

**Remote Activity LED (RLED)** - These pins provide power for a remote LED device activity indicator (Pin 13=Cathode, Pin 14=Anode).

- **Factory Reserved Pins** - These pins are reserved for factory use only - Do not install jumper under any circumstances!

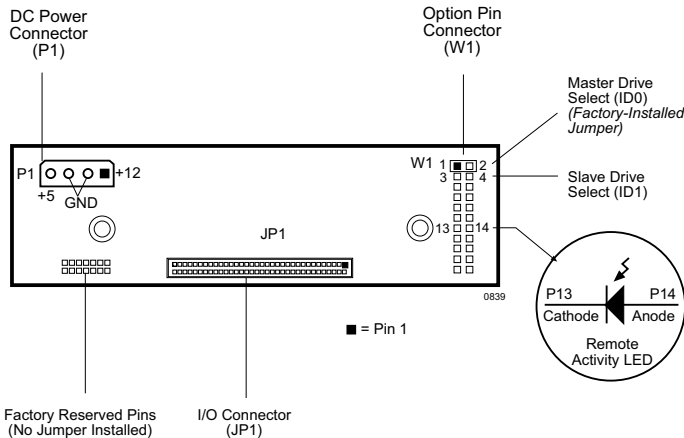


Figure 5: Receiving Frame Motherboard (Rear View)

## INSTALLATION

**NOTES:** A #2 Phillips screwdriver will be required during this procedure.

Since specifications (specifically, pin assignments) between drive manufacturers may vary, please refer to your drive manufacturer's documentation for exact information regarding Master/Slave and Cable Select configuration.

### Preparation

While performing the steps in this section, work on a soft surface to prevent excessive shock to the drive being installed. Also refer to the manufacturer's documentation provided with the drive.

1. Remove the drive from its protective packaging.
2. **Plastic Drive Bezel:** If the drive came equipped with a plastic front bezel, it must be removed before installing the drive into the drive carrier.
3. **Master/Slave Drive Selection:** There are two ways to set the Master/Slave Drive designation for the DE110 unit, as described below.

1. **Cable Select Method** (*Recommended Method*): In most cases, the drive will be factory-configured as a Master Drive using a jumper option on the drive itself. StorCase however, recommends reconfiguring the drive for *Cable Selection* instead. This can be done by configuring the jumper option on the drive itself (refer to the drive manufacturer's documentation for further information).

With *Cable Selection*, the Master/Slave designation is handled by the Master/Slave Selection Jumper Option (ID0 & ID1) located on the receiving frame motherboard (Figure 5). If necessary, reconfigure jumper (jumper is factory-installed on ID0 for Master Drive designation) on receiving frame motherboard to ID1 for Slave setting. *Skip method below and continue with the Installation process.*

2. **Drive Select Method:** In most cases, the drive will be factory-configured as a Master Drive using a jumper option on the drive itself. Reconfigure the jumper if necessary (refer to the drive manufacturer's documentation for exact Master/Slave jumper settings).

If necessary, reconfigure jumper (jumper is factory-installed on ID0 for Master Drive designation) on receiving frame motherboard to ID1 for Slave setting.

## Installing the Drive into the Carrier

1. Attach the DC power cable (from the Drive Carrier Board) to the drive (Figure 6).
2. Carefully insert the drive into the carrier. Slide the drive towards the Drive Carrier Board, so that the I/O connector on the drive mates with the connector on the Drive Carrier Board (Figure 6). **Make sure that the DC power cable is not pinched.**

Turn the drive/carrier assembly over.

3. Fasten the drive into place with four (4) #6-32 Phillips F.H. screws (Figure 6). Some drives may require minor adjustment before securing into carrier with screws.
4. Install the provided drive cover (Figure 7).

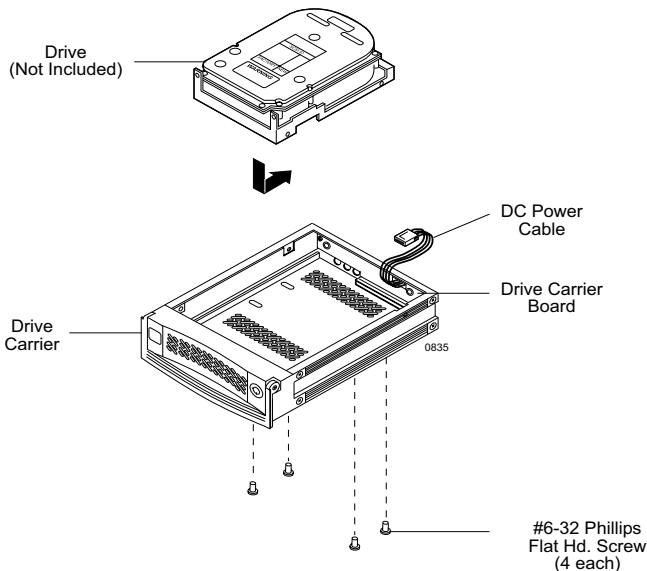


Figure 6: Drive Installation Assembly



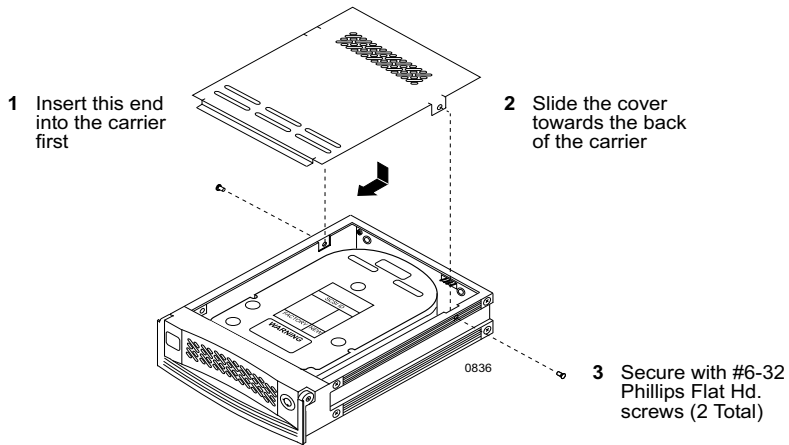


Figure 7: Drive Cover Installation

## Installing the Receiving Frame

**NOTE:** Use a #2 Phillips screwdriver for this procedure.

The drive should be installed into the carrier before installing the receiving frame into the mounting bay of a computer or expansion chassis.

1. Turn OFF power to the computer.
2. Open the computer system according to the manufacturer's instructions. If necessary, temporarily remove any expansion boards that may make installation difficult.
3. With the drive carrier locked in place inside the receiving frame, install the DE110 into the 5.25" drive opening in the computer or expansion chassis. Use the appropriate guides to position the Data Express, and fasten it into place with the four (4) #6-32 Phillips screws provided. Figure 8A illustrates the location of the mounting holes. Mounting holes are provided on each side and the bottom of the receiving frame to accommodate a variety of mounting configurations. Use the mounting holes which best suit the computer or expansion chassis configuration. Note that bottom mounting holes require self-tapping screws (not provided).

4. Adjust the front of the receiving frame so the carrier slides freely in and out on the receiving frame guides. The position of adjoining peripheral units may require adjustment.

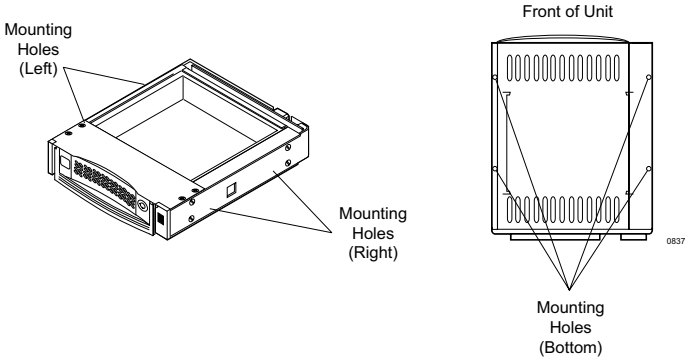


Figure 8A: Receiving Frame Mounting Holes

## Spacer Plates (Optional)

**NOTE:** Depending on the computer system, spacer plates may be positioned on the receiving frame to utilize either top or bottom row of side-mounting holes (Figure 8B).

The DE110 is designed to fit most computer systems with standard 5.25" peripheral slots. The installation of the spacer plates (provided) may or may not be necessary.

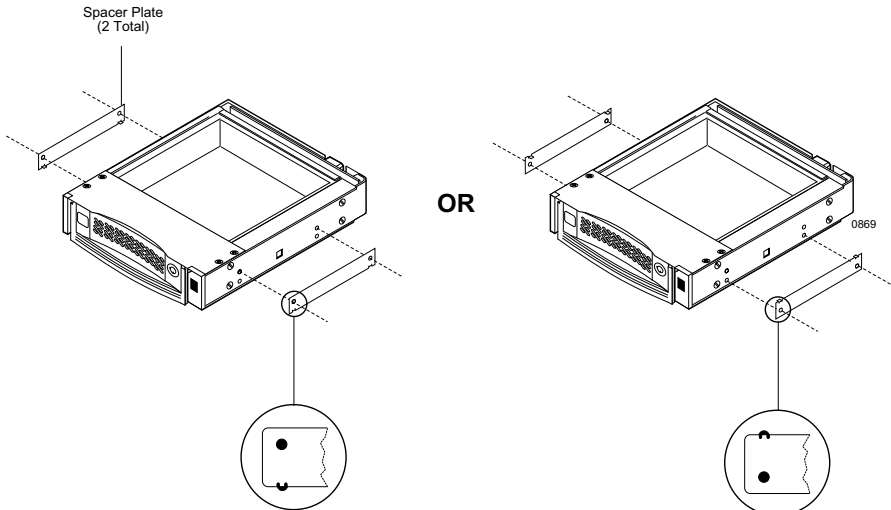


Figure 8B: Spacer Plate Installation (Optional)

5. Connect the I/O cable from the host adapter to the receiving frame. The Pin 1 indicator on the cable must be properly aligned. Refer to Figure 5 for the correct Pin 1 location.
6. Connect the power cable from the DC power supply in the computer or expansion chassis to the power connector on the DE110 receiving frame. Refer to Figure 5 for the DE110 receiving frame power connector location.
7. Replace any expansion boards that may have been removed earlier. Replace the system cover according to the manufacturer's instructions.

8. Reconnect any system or peripheral cables removed earlier.
9. Turn ON power to the computer. If the installation has been successful, and all the cables have been properly attached, the system should boot normally. Although the computer may not recognize the DE110 yet, the front panel display on the DE110 receiving frame should illuminate.
10. The new drive may need to be formatted or initialized prior to use with the operating system and applications software. Refer to the drive and/or computer manufacturer's documentation for formatting information.

## Selecting the Unit ID Number

1. Verify that power is turned ON to the DE110 receiving frame by turning on your computer. A number will appear in the unit ID display window if the carrier is locked in place.
2. Unlock the DE110 drive carrier and remove it from the receiving frame. A "u" will be displayed initially when the unit is unlocked but will return to a number when the carrier is removed from the receiving frame.

**WARNING:** Unlocking the carrier unit switches DC power OFF to the drive. Since disk drives require a short amount of time to spin down, allow about 15 seconds before pulling the carrier unit out of the receiving frame to avoid possible damage to the drive.

3. Use the alignment tool supplied with the DE110 to select the ID number of the disk drive. Refer to Figure 9 for the location of the ID Select Switch inside the receiving frame. Table 1 lists the valid unit ID numbers available for the drive.

**NOTE:** The unit ID number display is for ID display purposes only. The Master/Slave setting must still be set on the drive itself (refer to page 7 of this User's Guide for further information).

4. After you have selected an appropriate unit number, replace the DE110 carrier in the receiving frame, and **LOCK IT IN PLACE**.

**NOTE:** The lock on the DE110 carrier functions as a lock and a DC power switch for the carrier unit. The lock must be engaged in order to supply power to the carrier and installed drive.

5. Reboot the computer. The new disk is now ready for use, although it may have to be formatted or initialized prior to use with your operating system and applications software.

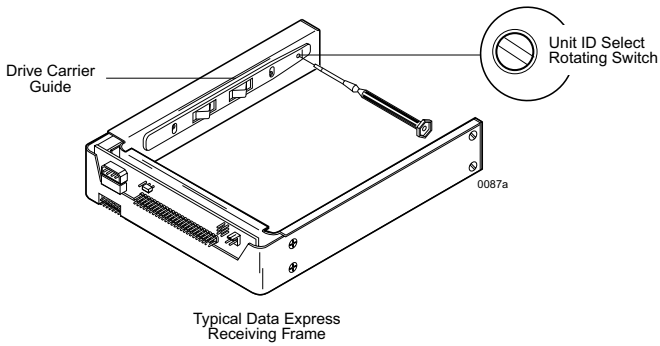


Figure 9: Unit ID Select Switch Location

### Unit ID Select Switch Settings

The following table lists the Unit ID Select Switch settings and the valid AT/IDE unit numbers. Please note that all invalid switch settings have X's through them and result in a blank display in the receiving frame display window.

Table 1: Unit ID Select Switch Settings

Unit ID Select Position	0	1	2	3	4	5	6	7	8	9
Drive Selection	X	Master	Slave	X	X	Master	Slave	X	X	X
Unit ID Number Display	Blank	0	1	Blank	Blank	2	3	Blank	Blank	Blank

624b

**NOTE:** The unit ID number display is for ID display purposes only (when using the *Drive Select Method*). The Master/Slave setting must still be set on the drive itself (refer to page 7 of this User's Guide for further information).

## I/O Connector JP1

The I/O connector (JP1) pin assignments are as follows:

**Table 2: AT/IDE Interface Signals**

Pin	Signal	I/O	Pin	Signal	I/O
01	Host Reset-	O	02	Ground	
03	Host Data 7	I/O	04	Host Data 8	I/O
05	Host Data 6	I/O	06	Host Data 9	I/O
07	Host Data 5	I/O	08	Host Data 10	I/O
09	Host Data 4	I/O	10	Host Data 11	I/O
11	Host Data 3	I/O	12	Host Data 12	I/O
13	Host Data 2	I/O	14	Host Data 13	I/O
15	Host Data 1	I/O	16	Host Data 14	I/O
17	Host Data 0	I/O	18	Host Data 15	I/O
19	Ground		20	Key	No Pin
21	DMARQ	O	22	Ground	
23	DIOW-	O	24	Ground	
25	DIOR-	O	26	Ground	
27	Reserved		28	Reserved	
29	Reserved		30	Ground	
31	IRQ 14	I	32	Host IO16-(AT)	I
33	Host ADDR 1	O	34	PDIAG- (16)	Notes
35	Host ADDR 0	O	36	Host ADDR 2	O
37	Host CS0-	O	38	Host CS1-	O
39	DASP-	Notes	40	Ground	

- Indicates an active-low signal.

Signal direction is with respect to the host.

"I" indicates *To* the host

"O" indicates *From* the host

The /PDIAG and /DASP signals are used for communication between Master, Slave, and the Host.

## APPENDICES

## Appendix A - Specifications/Dimensions

Environmental Specifications	Operating	Storage
Ambient Temperature	0° C to 50° C	-40° C to 70° C
Relative Humidity <sup>(1)</sup>	10% to 80%	10% to 90%
Altitude	-1000 to 10,000 ft	-1000 to 40,000 ft
	-305m to 3048m	-305m to 12195m
Shock <sup>(2)</sup>	10g	60g

<sup>(1)</sup> Non-condensing with maximum gradient of 10% per hour.

<sup>(2)</sup> 11 msec pulse width 1/2 sine wave.

Physical Specifications	Carrier	Receiving Frame
Height	1.52" (38.6mm)	1.61" (40.9mm)
Width	4.73" (120.1mm)	5.81" (147.6mm)
Depth	7.94" (201.7mm)	8.66" (219.9mm)
Weight	1.3lb (0.59kg)	1.4lb (0.64kg) <sup>(1)</sup>

<sup>(1)</sup> With carrier removed.

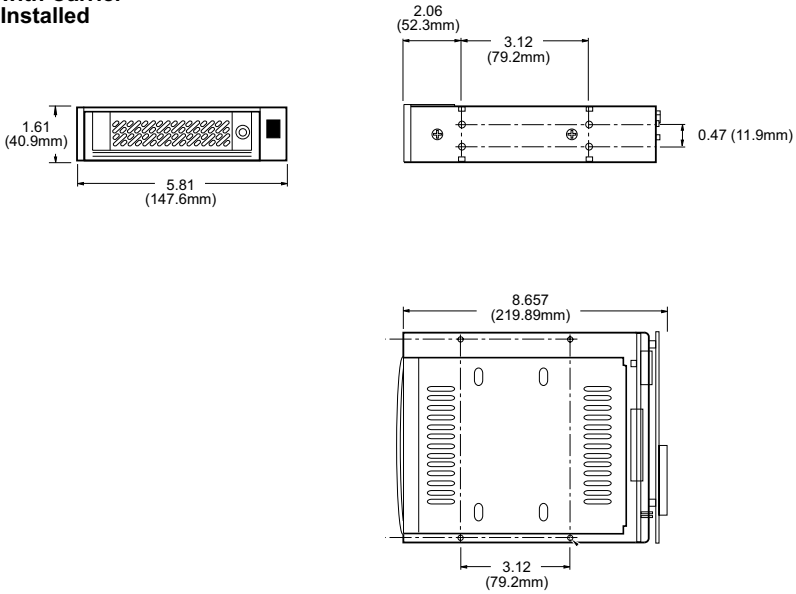
Chassis Reliability/Maintainability	
MTBF	500,000 Hours
MTTR	5 minutes
Preventive Maintenance	None

Electrical Specifications		
Input	+5V	65mA
	+12V	400µA

0832a



**Receiving Frame  
with Carrier  
Installed**



**Carrier  
Only**

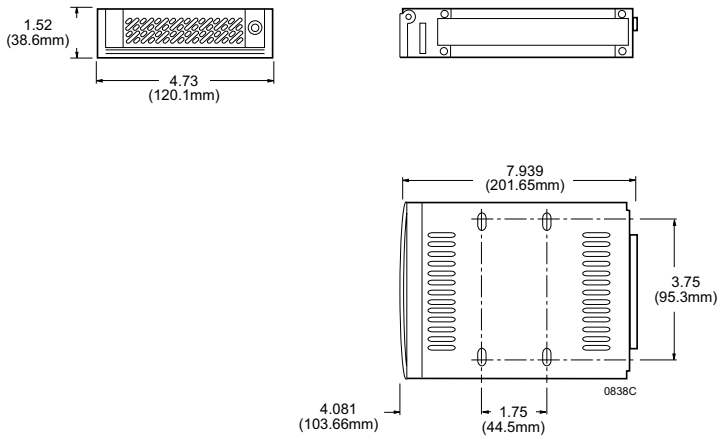


Figure A-1: DE110 Physical Dimensions  
(Dimensions are for reference only)

## Appendix B - Optional Accessories

### Carrying Case



*Figure B-1: Carrying Case*

The optional molded plastic carrying case (P/N S20E101) is designed to transport one (1) DE110 carrier from one site to another in a safe, impact and moisture-resistant environment. Its compact dimensions, 10" long x 11" wide x 4.5" high, make it easy to carry and to store. The foam lining is contoured to fit a single Data Express carrier. Contact your StorCase dealer for further details and ordering information.

## Reader's Comments

Please take a few moments when your computer system is up and running to send us your ideas and suggestions for improving our products and documentation. Did the installation go smoothly for you? Are there any changes you would like us to make, either with the hardware itself, or with the installation instructions? Everyone at StorCase Technology is working toward the goal of providing you with the highest quality, most cost effective, products available on the market, and we need your comments to guide our efforts. We look forward to hearing from you soon!

Date: \_\_\_\_\_

\_\_\_\_\_  
\_\_\_\_\_  
\_\_\_\_\_  
\_\_\_\_\_  
\_\_\_\_\_  
\_\_\_\_\_  
\_\_\_\_\_  
\_\_\_\_\_  
\_\_\_\_\_  
\_\_\_\_\_  
\_\_\_\_\_

Your Name: \_\_\_\_\_

Address: \_\_\_\_\_

\_\_\_\_\_  
\_\_\_\_\_

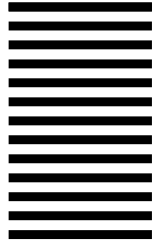
Telephone: (            ) \_\_\_\_\_

To mail this page, carefully remove it from the manual, fold it, staple or tape it shut, and drop it in the mail. To FAX this page, carefully remove it from the manual (or make a photocopy) and FAX it to us at (714) 438-1847. Thank you for taking the time to help us make our products better!

FOLD ALONG THIS LINE AND STAPLE SHUT



NO POSTAGE  
NECESSARY  
IF MAILED  
IN THE  
UNITED STATES



**BUSINESS REPLY MAIL**  
FIRST CLASS MAIL PERMIT NO. 10686 SANTA ANA, CA

POSTAGE WILL BE PAID BY ADDRESSEE

*Kingston Technology Affiliate*



*Safest Place for Your Data®*

17600 NEWHOPE STREET  
FOUNTAIN VALLEY CA 92708-9885





## Artisan Technology Group is your source for quality new and certified-used/pre-owned equipment

- FAST SHIPPING AND DELIVERY
- TENS OF THOUSANDS OF IN-STOCK ITEMS
- EQUIPMENT DEMOS
- HUNDREDS OF MANUFACTURERS SUPPORTED
- LEASING/MONTHLY RENTALS
- ITAR CERTIFIED SECURE ASSET SOLUTIONS

### SERVICE CENTER REPAIRS

Experienced engineers and technicians on staff at our full-service, in-house repair center

### *InstraView*<sup>SM</sup> REMOTE INSPECTION

Remotely inspect equipment before purchasing with our interactive website at [www.instraview.com](http://www.instraview.com) ↗

### WE BUY USED EQUIPMENT

Sell your excess, underutilized, and idle used equipment. We also offer credit for buy-backs and trade-ins. [www.artisanng.com/WeBuyEquipment](http://www.artisanng.com/WeBuyEquipment) ↗

### LOOKING FOR MORE INFORMATION?

Visit us on the web at [www.artisanng.com](http://www.artisanng.com) ↗ for more information on price quotations, drivers, technical specifications, manuals, and documentation

**Contact us:** (888) 88-SOURCE | [sales@artisanng.com](mailto:sales@artisanng.com) | [www.artisanng.com](http://www.artisanng.com)