



Artisan Technology Group is your source for quality new and certified-used/pre-owned equipment

- FAST SHIPPING AND DELIVERY
- TENS OF THOUSANDS OF IN-STOCK ITEMS
- EQUIPMENT DEMOS
- HUNDREDS OF MANUFACTURERS SUPPORTED
- LEASING/MONTHLY RENTALS
- ITAR CERTIFIED SECURE ASSET SOLUTIONS

SERVICE CENTER REPAIRS

Experienced engineers and technicians on staff at our full-service, in-house repair center

*InstraView*SM REMOTE INSPECTION

Remotely inspect equipment before purchasing with our interactive website at www.instraview.com ↗

WE BUY USED EQUIPMENT

Sell your excess, underutilized, and idle used equipment. We also offer credit for buy-backs and trade-ins. www.artisanng.com/WeBuyEquipment ↗

LOOKING FOR MORE INFORMATION?

Visit us on the web at www.artisanng.com ↗ for more information on price quotations, drivers, technical specifications, manuals, and documentation

Contact us: (888) 88-SOURCE | sales@artisanng.com | www.artisanng.com

Graphics

SBus		
MG1		3
MG2		4
CG3		6
GX		9
GXplus		10
ZX		11
TurboZX		14
VideoPix		18
SunVideo		19
TurboGX		21
TurboGXplus		23
SS4 1MB Video SIMM		25
SS5 S24		26
SS20 Auxiliary Video Board		27
SS20 CG14		28
UPA Bus		
Elite3D	AFB	30
Creator Series 1	FFB	38
Creator3D Series 1	FFB	40
Creator Series 2	FFB2	43
Creator3D Series 2	FFB2	44
Creator Series 3	FFB2+	46
Creator3D Series 3	FFB2+	47
PCI		
PGX		49
PGX32		50
SunVideo Plus		51
Expert 3D		52

This page intentionally left blank.

MG1

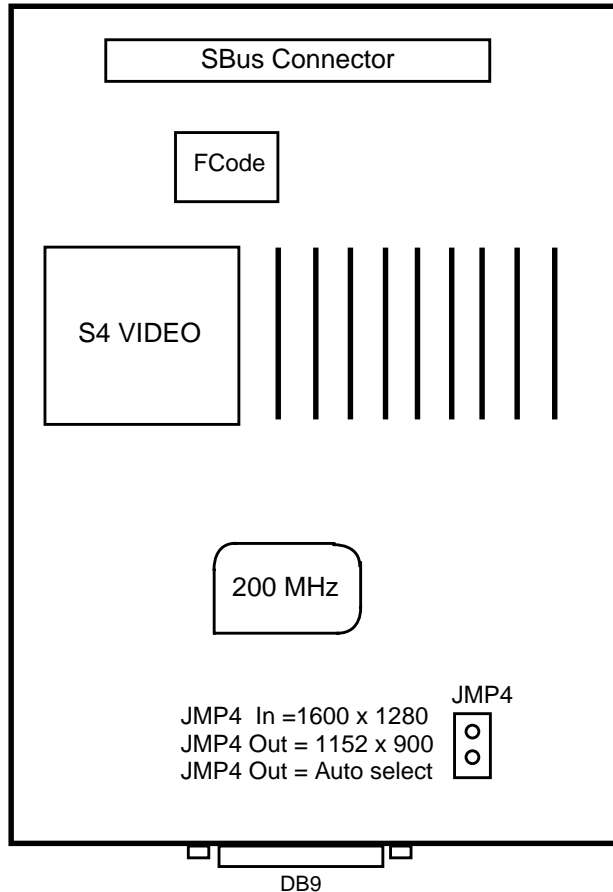
1-Bit ECL Monochrome Frame Buffer

Sun-4/15/30/40/50/60/65/75 Sun-4/E SS10 SS20

SS600 SC2000

501-1419

501-8043
w 4/E Backpanel



Screen Resolutions

1152 x 900	61.8KHz	66Hz
1600 x 1280	89.0KHz	66Hz

UNIX ID: /dev/bwtwo0

Power: 1.3 Amps @ +5Vdc
6.5 Watts

Note: The final software release is Solaris 2.6

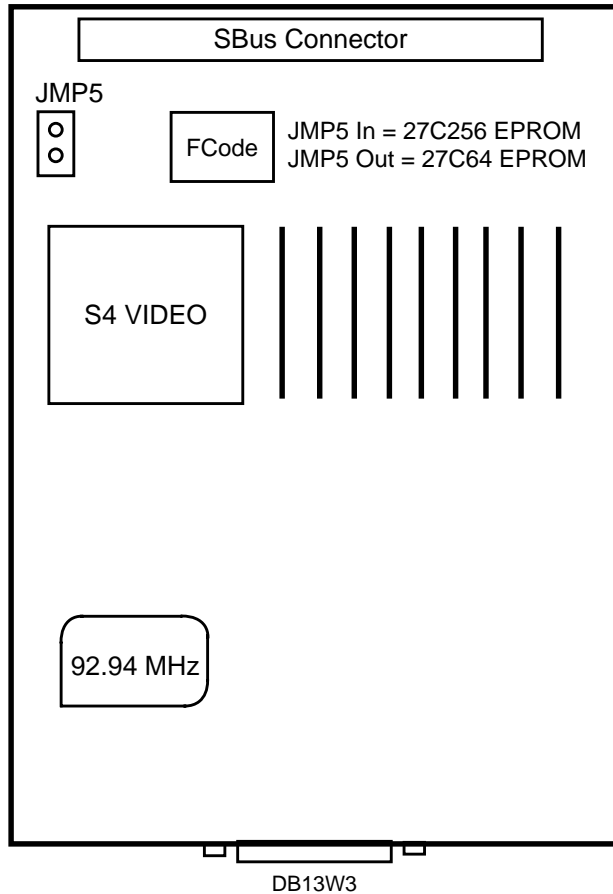
MG2

1-Bit Analog Frame Buffer

Sun-4/15/30/40/50/60/65/75 SS4 SS5 SS10 SS20 SS600

501-1455

501-8062
w 4/E Backpanel



Screen Resolution
1152 x 900 61.8KHz 66Hz

UNIX ID: /dev/bwtwo0

Power: 0.4 Amps @ +5Vdc
2.0 Watts

Note

1. The final software release is Solaris 2.6.
2. The MG2 Frame Buffer produces a 1-bit Analog output.

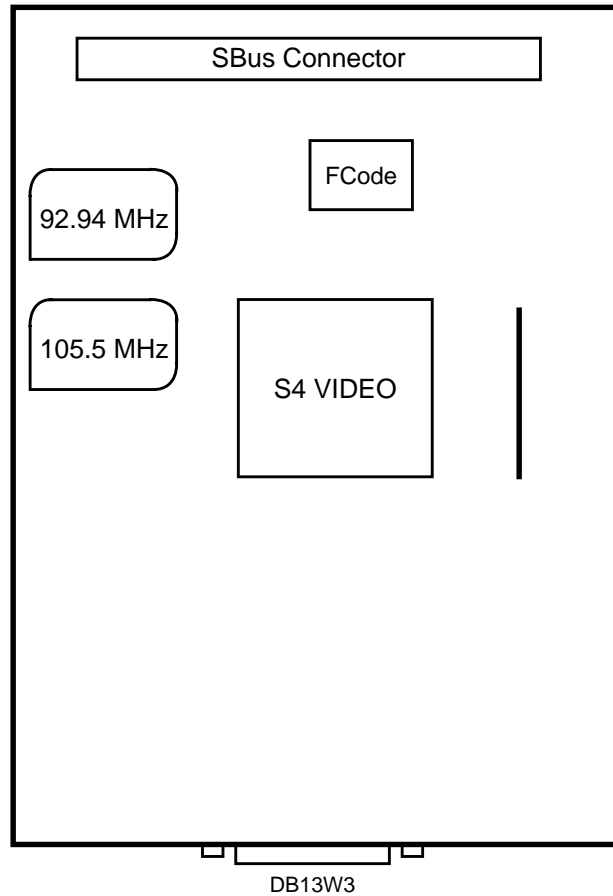
MG2

1-Bit Analog Frame Buffer

Sun-4/15/30/40/50/60/65/75 SS4 SS5 SS10 SS20 SS600

501-1561

501-8077
w 4/E Backpanel



Screen Resolutions

1152 x 900 61.8KHz 66Hz
1152 x 900 71.7KHz 76Hz*
*Default

UNIX ID: /dev/bwtwo0

Power: 0.3 Amps @ +5Vdc
1.6 Watts

Note

1. The final software release is Solaris 2.6.
2. The MG2 Frame Buffer produces a 1-bit Analog output.

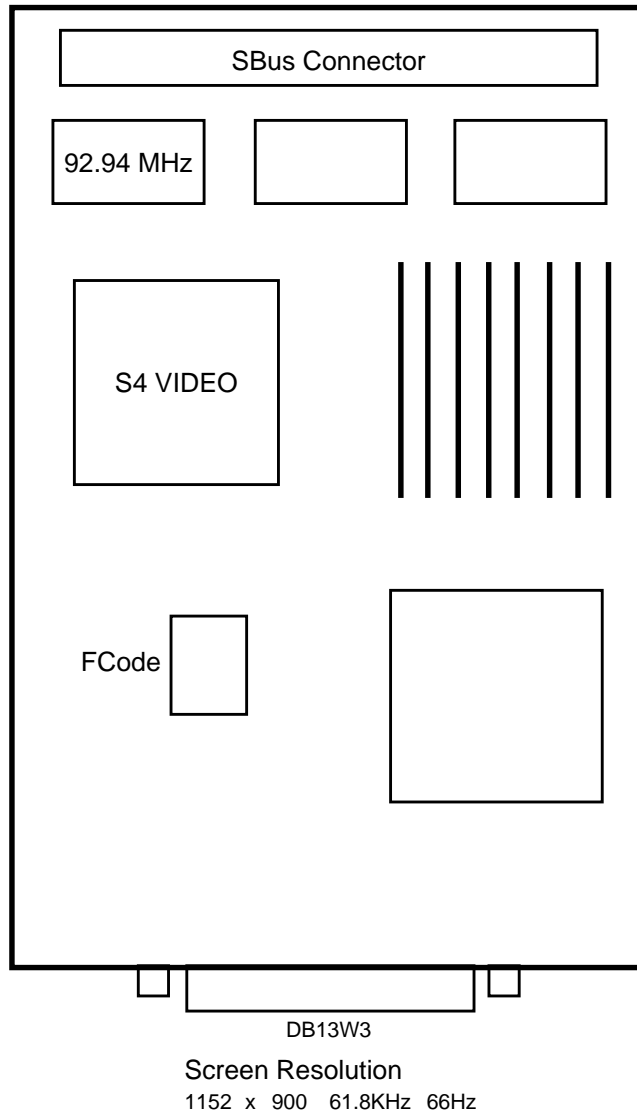
CG3

8-Bit Color Frame Buffer

Sun-4/15/30/40/50/60/65/75 SS4 SS5 SS10 SS20

501-1415
FAB 270-1415

501-8044
w 4/E Backpanel



UNIX ID: /dev/cgthree0

Power: 0.7 Amps @ +5Vdc
3.5 Watts

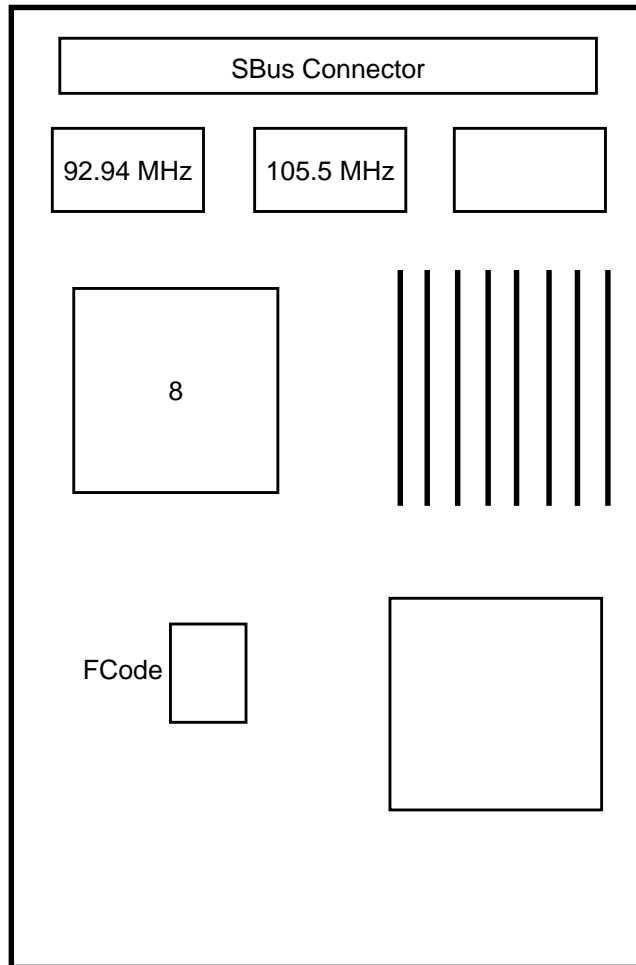
CG3

8-Bit Color Frame Buffer

Sun-4/15/30/40/50/60/65/75 SS4 SS5 SS10 SS20

501-1718
FAB 270-1415

501-1909
FAB 270-1909



DB13W3

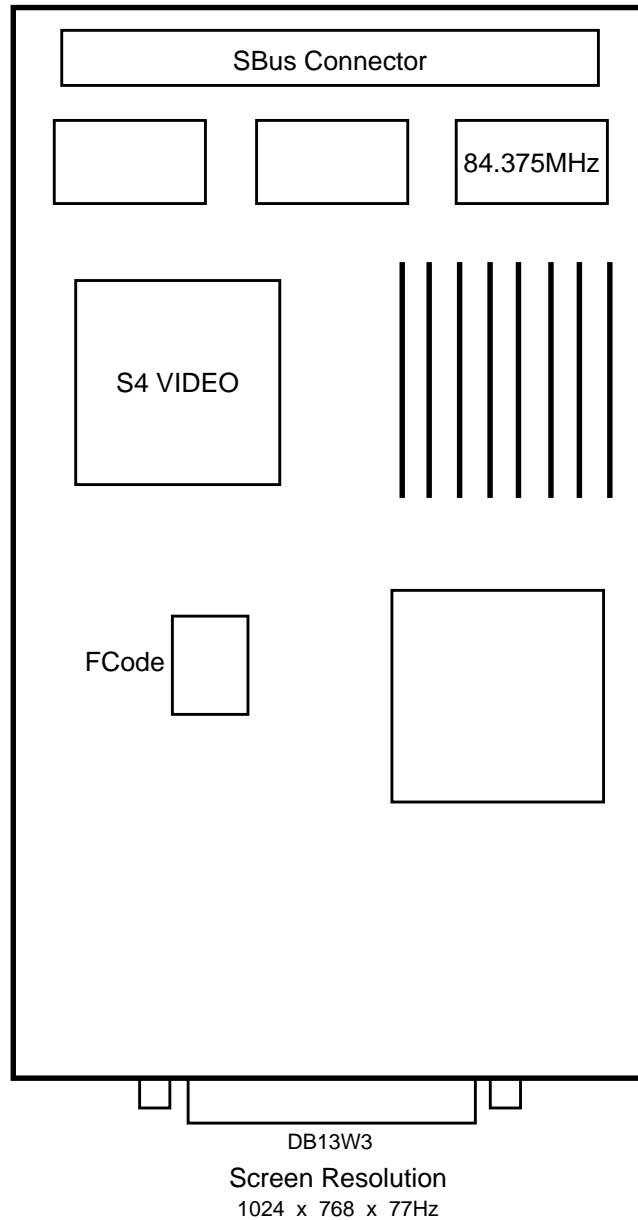
Screen Resolutions

1152 x 900 61.8KHz 66Hz
1152 x 900 71.7KHz 76Hz*
*Default

UNIX ID: /dev/cgthree0

Power: 1.1 Amps @ +5Vdc
5.5 Watts

CG3
8-Bit Color Frame Buffer
SS5
501-2691



UNIX ID: /dev/cgthree0

Power: 0.7 Amps @ +5Vdc
3.5 Watts

GX

8-Bit Color Frame Buffer

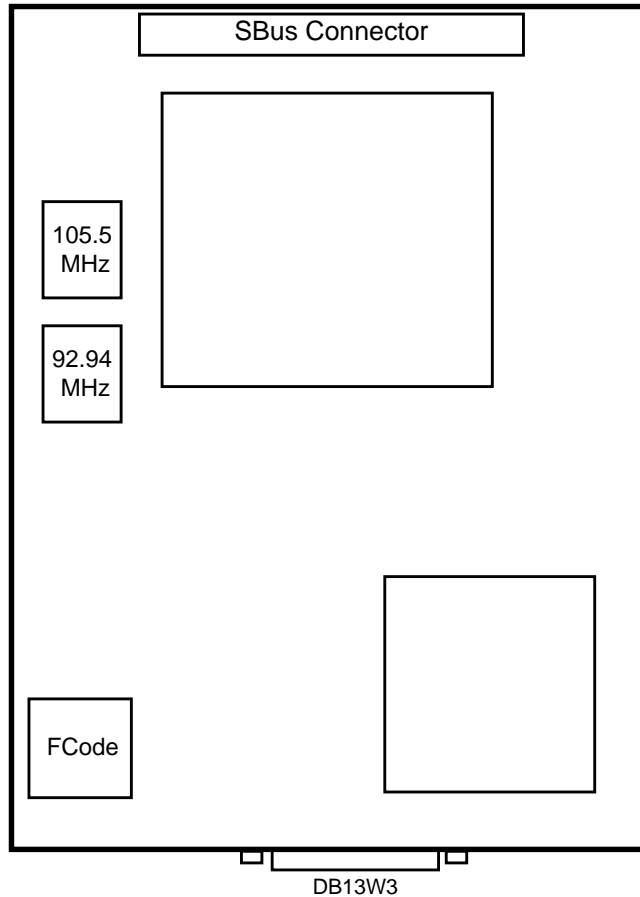
Sun-4/15/30/40/50/60/65/75 SS4 SS5 SS10 SS20 SS600

SS1000 SC2000

501-1672

501-1996

w/o 340-2348



Screen Resolutions
1152 x 900 61.8KHz 66Hz
1152 x 900 71.7KHz 76Hz*
*Default

UNIX ID: /dev/cgsix0

Power: 1.0 Amps @ +5Vdc
5.0 Watts

GXplus

8-Bit Color Frame Buffer

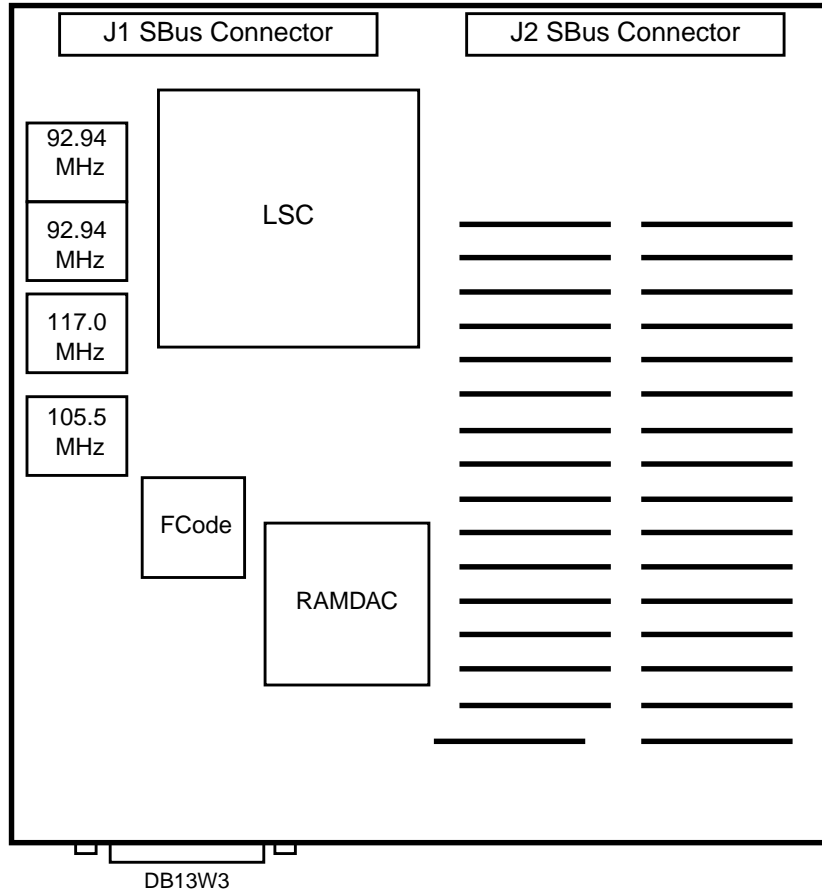
Sun-4/15/30/50/75 SS4 SS5 SS10 SS20 SS600

SS1000 SC2000

501-1717

501-2018
w/o 340-2349

501-2039



Screen Resolutions

1152 x 900	61.8KHz	66Hz
1152 x 900	71.7KHz	76Hz
1024 x 800	71.7KHz	85Hz
1280 x 1024	71.7KHz	67Hz*

*Default

UNIX ID: /dev/cgsix0

Power: 2.5 Amps @ +5Vdc
12.5 Watts

Reference: *GXplus Installation Guide*, 800-5940-10.

ZX

24-Bit Color Frame Buffer

Sun-4/15/30/75 SS5 SS10 SS20 SS1000 SC2000

A11 A12 A14

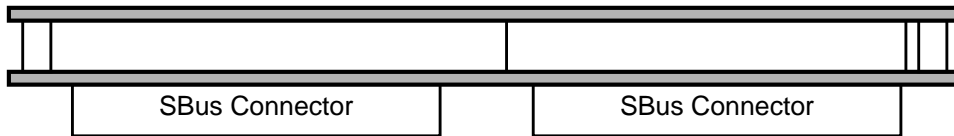
Option 1094

501-1845
2 Board Set
w/o 340-2349

501-1843
Upper Board

501-1844
Lower Board

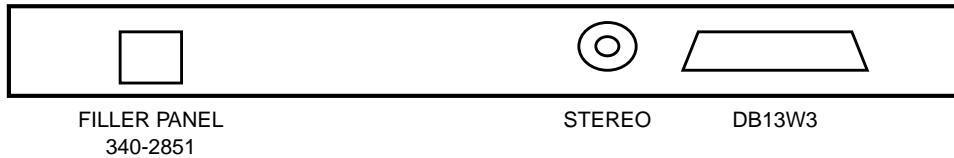
501-1845 Rear View



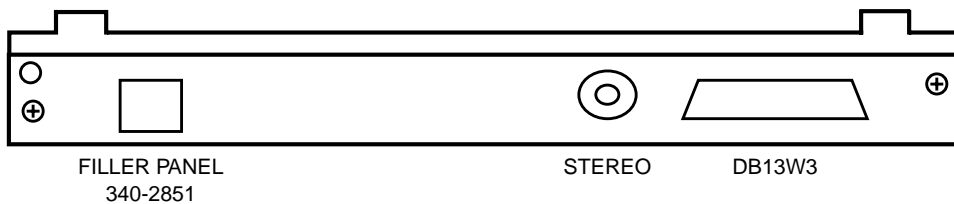
501-1845 Front View without Backpanel



501-1845 Front View with Backpanel



501-1845 with Backpanel and Upper Backpanel 340-2349

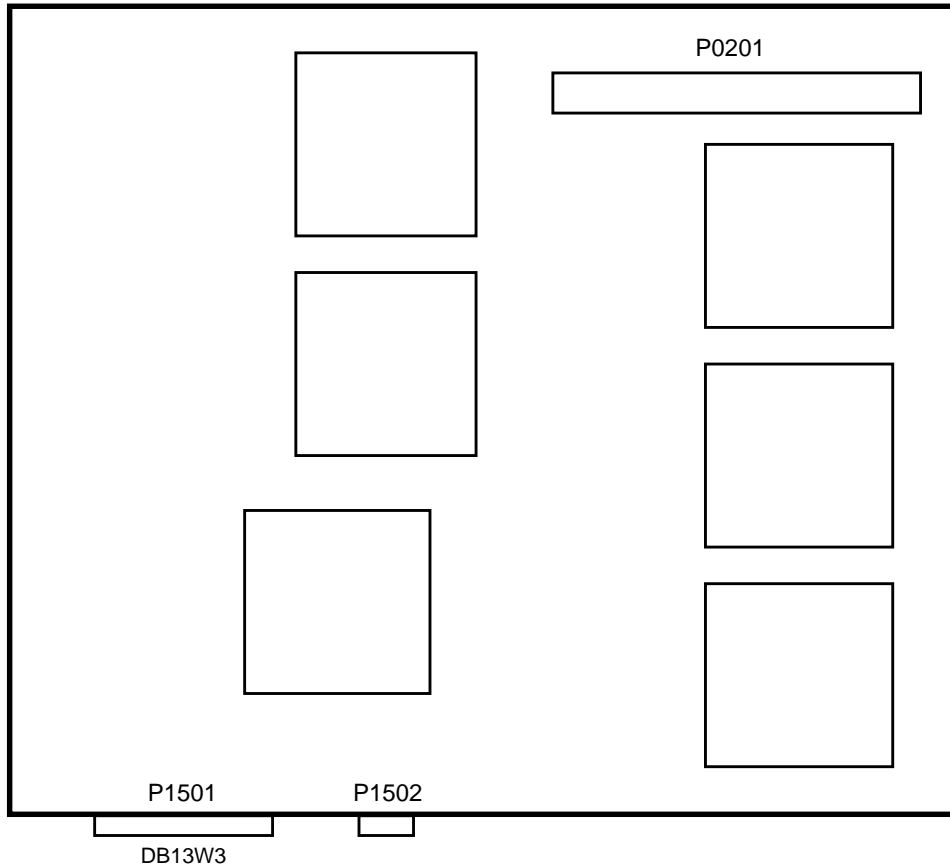


UNIX ID: /dev/leo0

Power: 6.8 Amps @ +5Vdc
34.0 Watts

ZX Upper Board
501-1843

Bottom Side

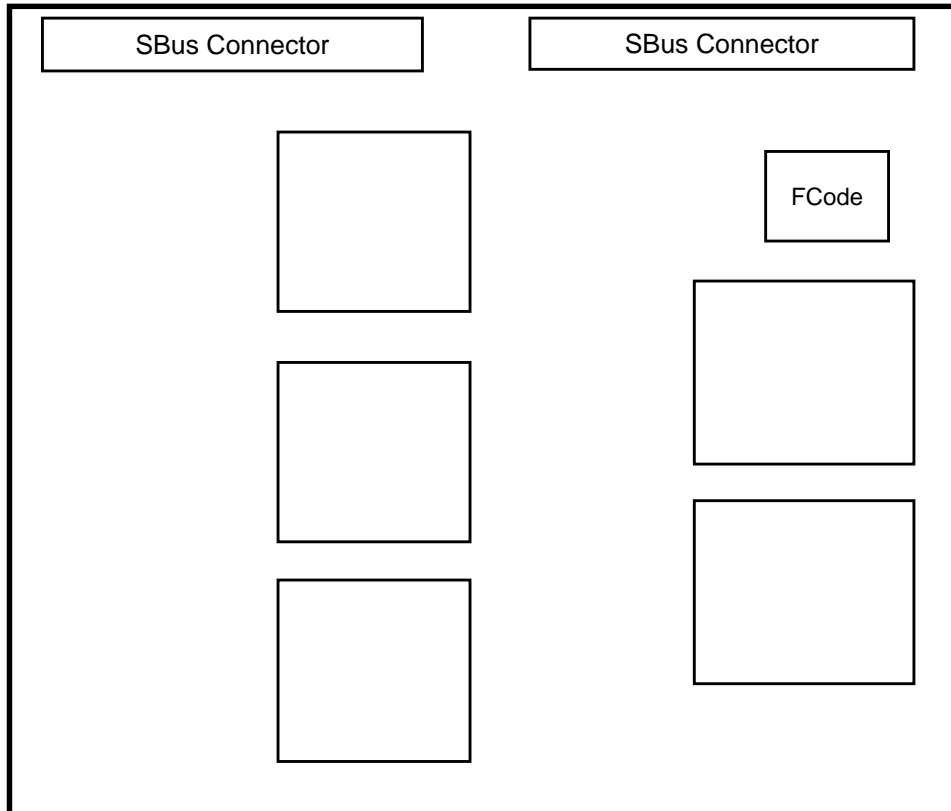


Screen Resolutions

640 x 480	60Hz
770 x 575	50Hz
960 x 680	108Hz
960 x 680	112Hz
1024 x 768	60Hz
1024 x 768	76Hz
1152 x 900	66Hz
1152 x 900	76Hz
1280 x 1024	76Hz
1280 x 1024	67Hz

ZX Lower Board
501-1844

Bottom Side



Notes

1. The minimum operating system is Solaris 2.2.
2. The GT/ZX Supplement to Solaris 2.2 is recommended.
3. The final software release is Solaris 2.6.
4. The ZX Graphics Accelerator uses the /opt/SUNWleo device driver.
5. Standoff 240-2716 and Screw 240-2102 fasten the boards together.
6. The Sun-4/15/30/75 requires three 250-1195-01 rubber bumpers.
7. The SC1000 and SC2000 require three 240-2090-01 nylon screws.
8. The SC1000 and SC2000 require three 240-2103-01 nylon standoffs.
9. The A11 and A12 require SBus Extender Cable 530-2290.
10. The A11 and A12 require Ferrite 150-2633 if the stereo output is used.

Screen Resolution

1. The variable `monitor_type` is defined in `/etc/init.d/leoconfig`.
2. Make temporary changes to the screen resolution with the following command: `/etc/opt/SUNWleo/bin/leoconfig -M monitor_type`.
3. Make permanent changes to the screen resolution by removing the comment symbol `#` from the desired setting in `/etc/init`.

Reference: *ZX Graphics Accelerator Installation Manual*, 800-7213-10.

TurboZX

24-Bit Color Frame Buffer

SS10 SS10SX SS20

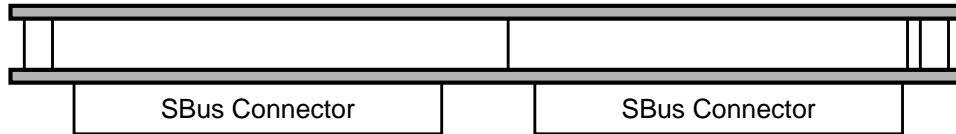
Option 1096

501-2503
2 Board Set
w/o 340-2349

501-2711
Upper Board

501-2502
Lower Board

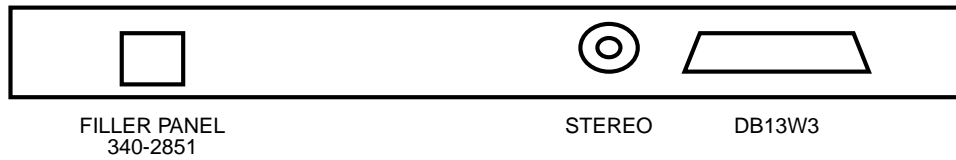
501-2503 Rear View



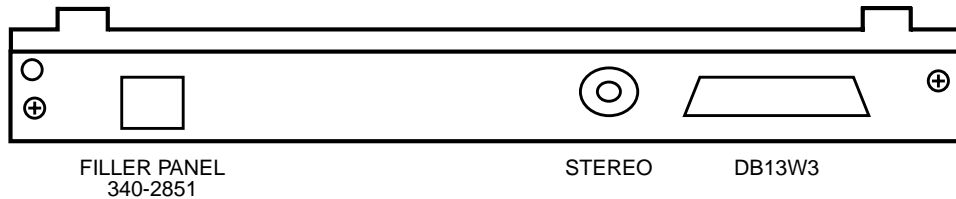
501-2503 Front View without Backpanel



501-2503 Front View with Backpanel

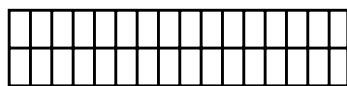


501-2503 with Backpanel and Upper Backpanel 340-2349



SS20 Cooling

Systems manufactured prior to May 1995 require Left Vent 330-1661-02 and Right Vent 540-2548-02.



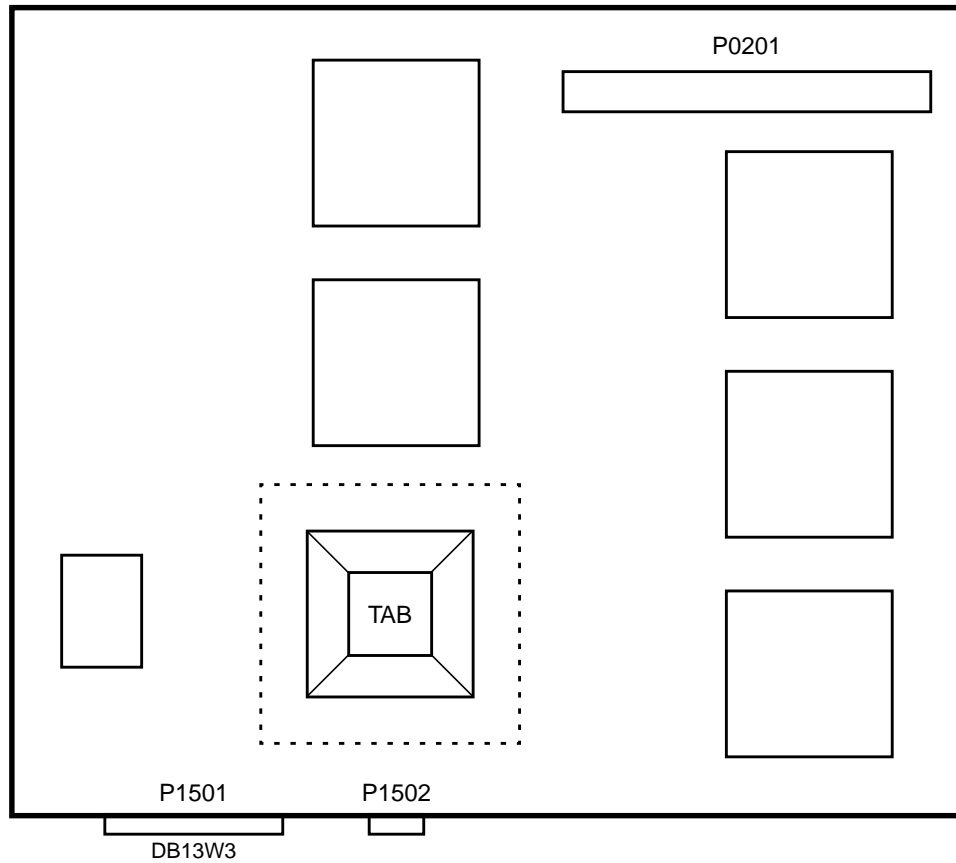
Side View
330-1661-02 and 540-2548-02



Side View
330-1661-01 and 540-2548-01

TurboZX Upper Board 501-2711

Bottom Side



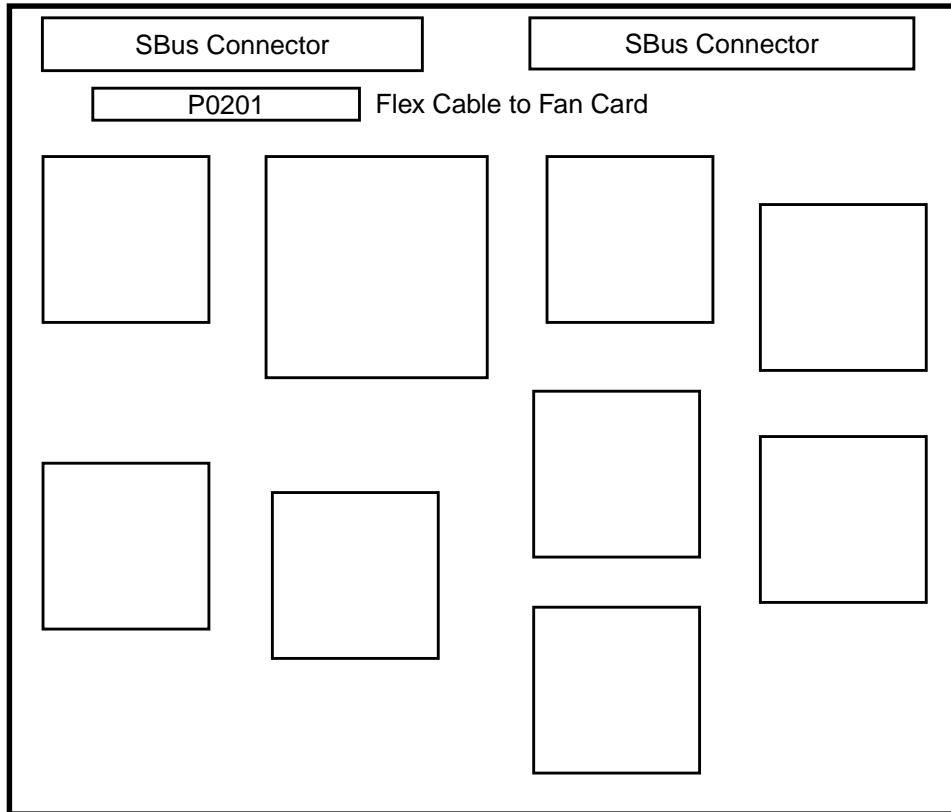
Screen Resolutions

640 x 480	60Hz
770 x 575	50Hz
960 x 680	108Hz
960 x 680	112Hz
1024 x 768	60Hz
1024 x 768	76Hz
1152 x 900	66Hz
1152 x 900	76Hz
1280 x 1024	76Hz
1280 x 1024	67Hz

UNIX ID: /dev/leo0

TurboZX Lower Board 501-2502

Bottom Side



Notes

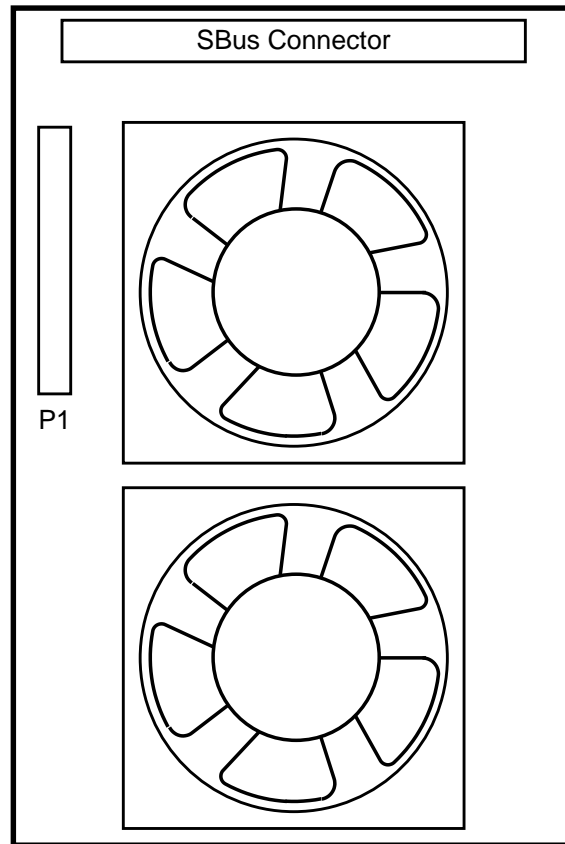
1. Solaris 2.3 requires Patch 101284-12.
2. Solaris 2.4 requires Patch 101921.
3. Solaris 2.4 with hyperSPARC requires Patch 101945.
4. The final software release is Solaris 2.6.
5. TurboZX was announced in May 1995 and discontinued in Nov 1995.
6. TurboZX uses the /opt/SUNWleo device driver.
7. Standoff 240-2716 and Screw 240-2102 fasten the boards together.
8. The SS10 and SS20 require two 501-2840 Fan Cards.

Screen Resolution

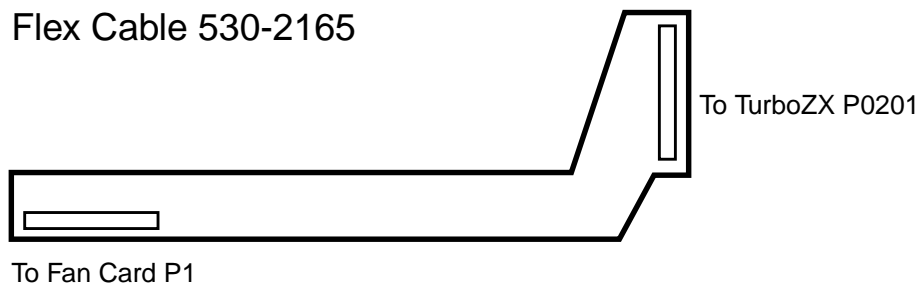
1. The variable `monitor_type` is defined in `/etc/init.d/leoconfig`.
2. Make temporary changes to the screen resolution with the following command: **`/etc/opt/SUNWleo/bin/leoconfig -M monitor_type`**.
3. Make permanent changes to the screen resolution by removing the comment symbol `#` from the desired setting in `/etc/init`.

Reference: *TurboZX Installation Manual*, 801-7829-10.

TurboZX Fan Card
501-2840



Flex Cable 530-2165



Notes

1. The SS10 and SS20 require two 501-2840 Fan Cards.
2. Flex Cable 530-2165 provides additional power to the TurboZX.

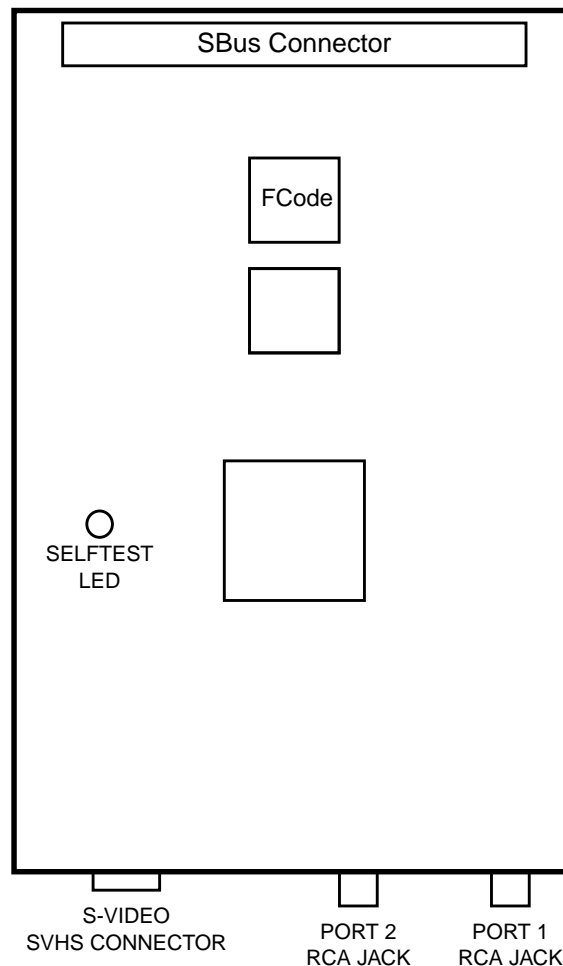
Reference: *TurboZX Installation Manual*, 801-7829-10.

VideoPix

Sun-4/15/30/40/50/60/65/75 SS4 SS5 SS10 SS20

Option 218

501-1706



UNIX ID: /dev/vfc0

Power: 1.0 Amps @ +5Vdc
5.0 Watts

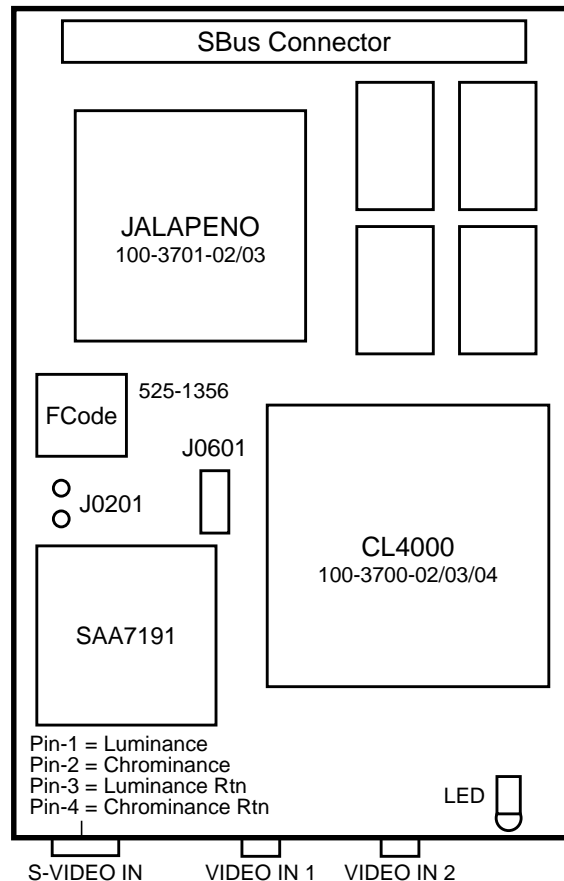
Notes

1. VideoPix is not supported in SunOS 4.1.3_U1 Version B.
2. VideoPix is not supported in SunOS 4.1.4.
3. VideoPix is not supported in Solaris 2.x.

Reference: *Using VideoPix*, 800-5099-10.

SunVideo

Sun-4/15/30/40/50/60/65/75 SS4 SS5 SS10 SS10SX
 SS20 SS600 A11 A12 A14
 Option 1085
 501-2232



UNIX ID: /dev/rtvc0

Power: 1.8 Amps @ +5Vdc
 9.0 Watts

Notes

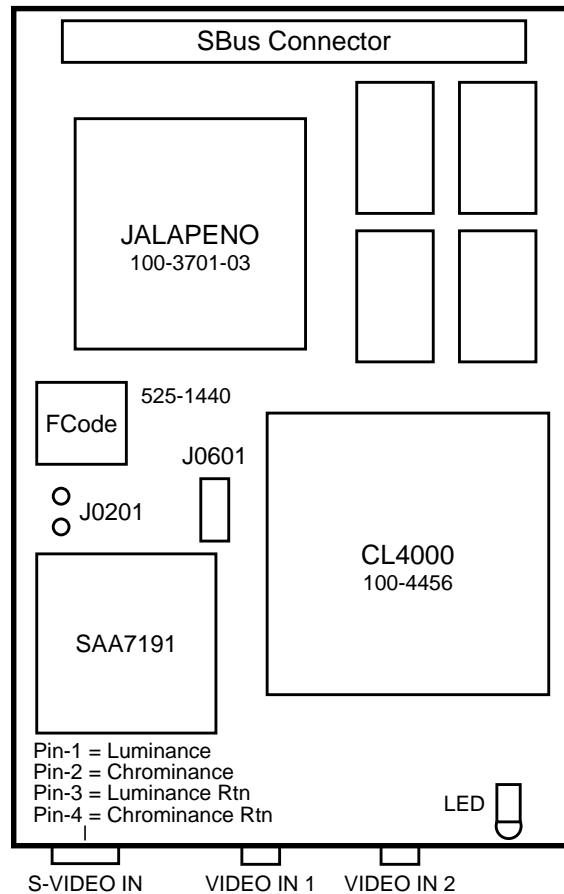
1. The minimum operating system is Solaris 2.3.
2. Jalapeno revision 3 is not compatible with Solaris 2.3 SunDiag. Install Patch 101330-05.
3. The SUNWrtvc package is required.
4. The XIL runtime packages are required.
5. SunVideo input is NTSC or PAL format.
6. SunVideo uses the Philips square pixel decoder chip set.

References

1. *SunVideo User's Guide*, 801-5179-10.
2. *SunVideo User's Guide*, 802-1318-10.

SunVideo

Sun-4/15/30/40/50/60/65/75 SS4 SS5 SS10 SS10SX
 SS20 SS600 A11 A12 A14
 Option 1085
 501-3019



UNIX ID: /dev/rtvc0

Power: 1.8 Amps @ +5Vdc
 9.0 Watts

Notes

1. The minimum operating system is Solaris 2.3.
2. Jalapeno revision 3 is not compatible with Solaris 2.3 SunDiag. Install Patch 101330-05.
3. The SUNWrtvc package is required.
4. The XIL runtime packages are required.
5. SunVideo input is NTSC or PAL format.
6. SunVideo uses the Philips square pixel decoder chip set.

Reference: *SunVideo User's Guide*, 802-1318-10.

TurboGX

8-Bit Color Frame Buffer

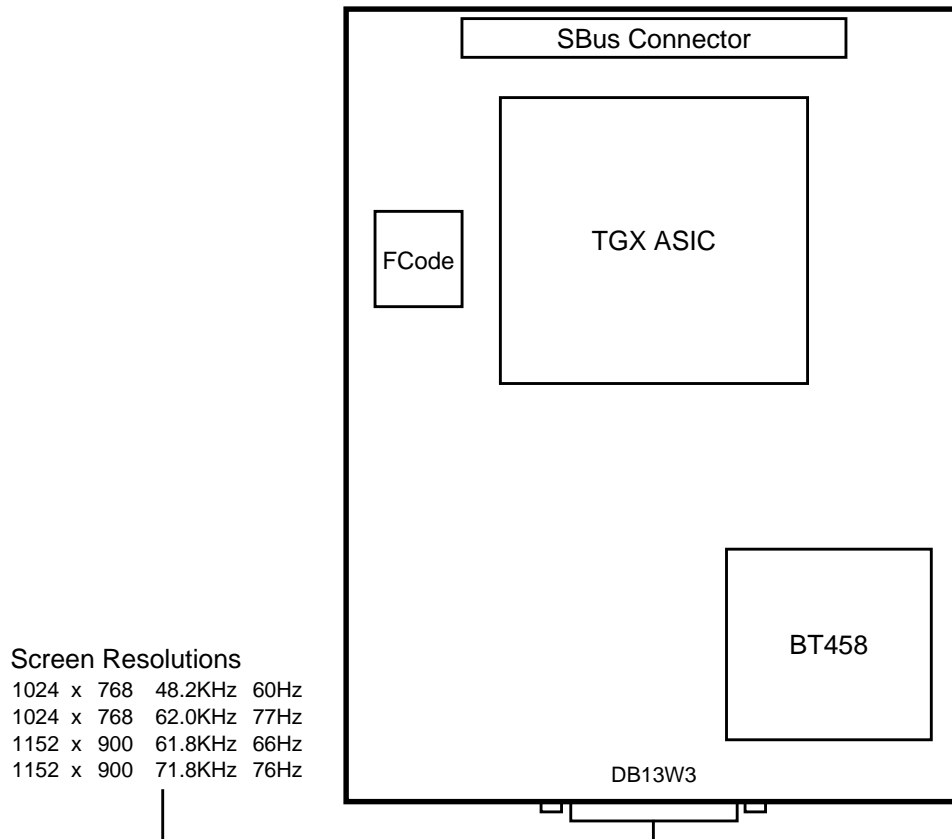
Sun-4/15/30/40/50/60/65/75 SS4 SS5 SS10 SS20 SS600

SS1000 SC2000 A11 A12 A14 E150

E3000 E4000 E5000 E6000 E3500 E4500 E5500 E6500

Options 322 359

501-2325



UNIX ID: /dev/cgsix0

Notes

1. The minimum operating system is SunOS 4.0.3.
2. If multiple cards are installed, the minimum OS is SunOS 4.1.1.
3. To test multiple cards with SunDiag, 4.1.1 requires 4.1.1 GFX Rev 2.
4. The SS1, SS1+, and IPC require OBP 2.x.
5. OBP 2.x for the SS1, SS1+, and IPC requires SunOS 4.1.1.
6. The SS2 requires OBP ≥ 2.4 .

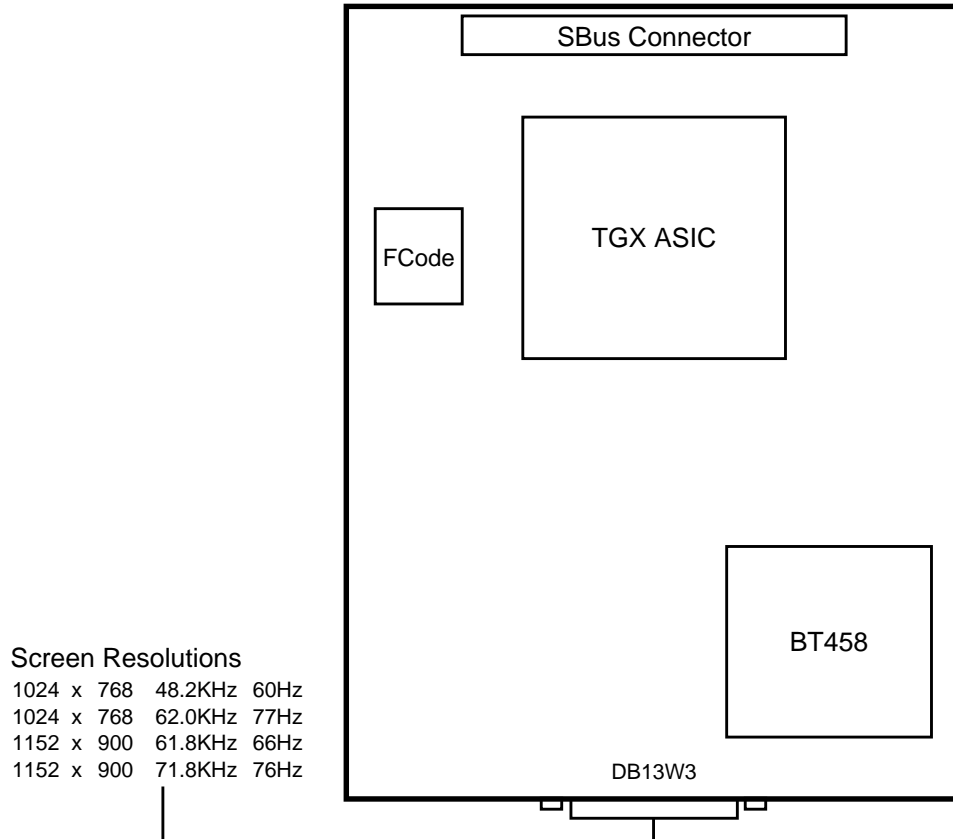
References

1. *TurboGX/TurboGXplus Hardware Installation Guide*, 801-5399-10.
2. *TurboGXplus Hardware Installation Guide*, 800-7579-10.
3. *Platform Notes: SMCC Frame Buffers*, 802-2661-10.
4. *Platform Notes: SMCC Frame Buffers*, 802-3755-10.
5. *Platform Notes: SMCC Frame Buffers*, 802-5011-10.

TurboGX

8-Bit Color Frame Buffer

Sun-4/15/30/40/50/60/65/75 SS4 SS5 SS10 SS20 SS600
 SS1000 SC2000 A11 A12 A14 E150
 E3000 E4000 E5000 E6000 E3500 E4500 E5500 E6500
 Options 322 359 7110
 501-2922



UNIX ID: /dev/cgsix0

Notes

1. The minimum operating system is SunOS 4.0.3.
2. If multiple cards are installed, the minimum OS is SunOS 4.1.1.
3. To test multiple cards with SunDiag, 4.1.1 requires 4.1.1 GFX Rev 2.
4. The SS1, SS1+, and IPC require OBP 2.x.
5. OBP 2.x for the SS1, SS1+, and IPC requires SunOS 4.1.1.
6. The SS2 requires OBP \geq 2.4.

References

1. *TurboGX/TurboGXplus Hardware Installation Guide*, 801-5399-10.
2. *TurboGXplus Hardware Installation Guide*, 800-7579-10.
3. *Platform Notes: SMCC Frame Buffers*, 802-2661-10.
4. *Platform Notes: SMCC Frame Buffers*, 802-3755-10.
5. *Platform Notes: SMCC Frame Buffers*, 802-5011-10.

TurboGXplus

8-Bit Color Frame Buffer

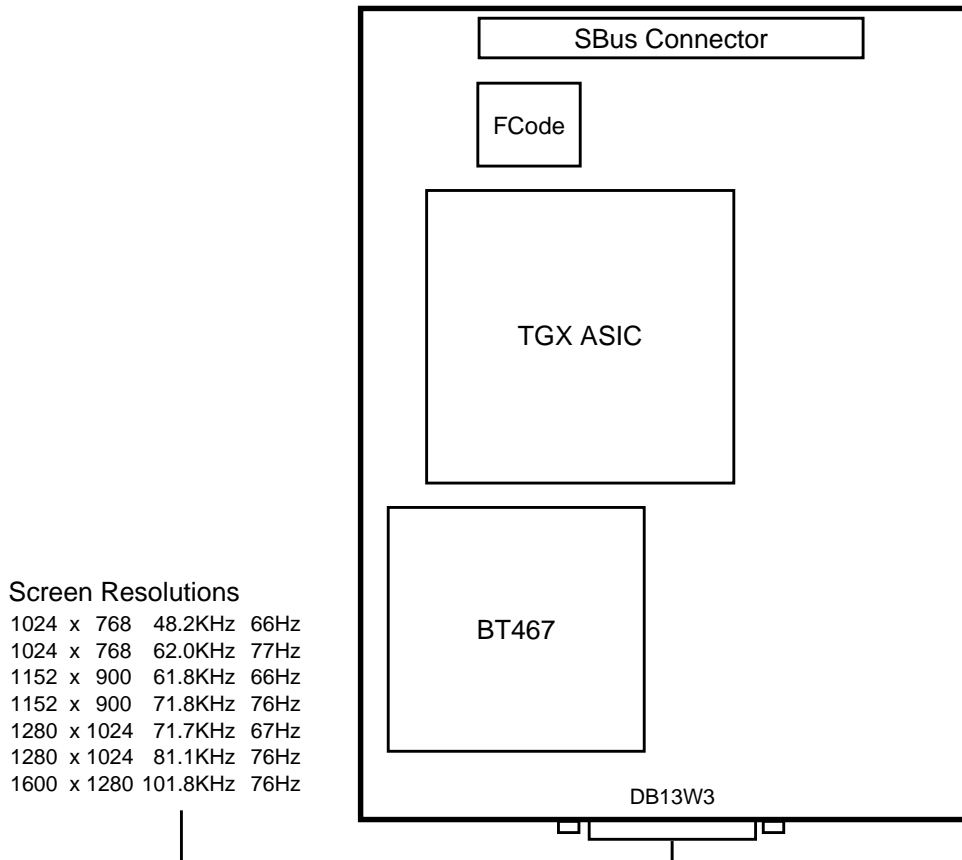
Sun-4/15/30/50/75 SS4 SS5 SS10 SS20 SS600

SS1000 SC2000 A11 A12 A14

E3000 E4000 E5000 E6000 E3500 E4500 E5500 E6500

Option 367

501-2253



UNIX ID: /dev/cgsix0

Notes

1. The minimum operating system is SunOS 4.1.1.
2. To test multiple cards with SunDiag, 4.1.1 requires 4.1.1 GFX Rev 2.
3. The 501-2253-05 is required to support 1600x1280x76.
4. The SS2 requires OBP \geq 2.4.

References

1. *TurboGX/TurboGXplus Hardware Installation Guide*, 801-5399-10.
2. *TurboGXplus Hardware Installation Guide*, 800-7579-10.
3. *Platform Notes: SMCC Frame Buffers*, 802-2661-10.
4. *Platform Notes: SMCC Frame Buffers*, 802-3755-10.
5. *Platform Notes: SMCC Frame Buffers*, 802-5011-10.

TurboGXplus

8-Bit Color Frame Buffer

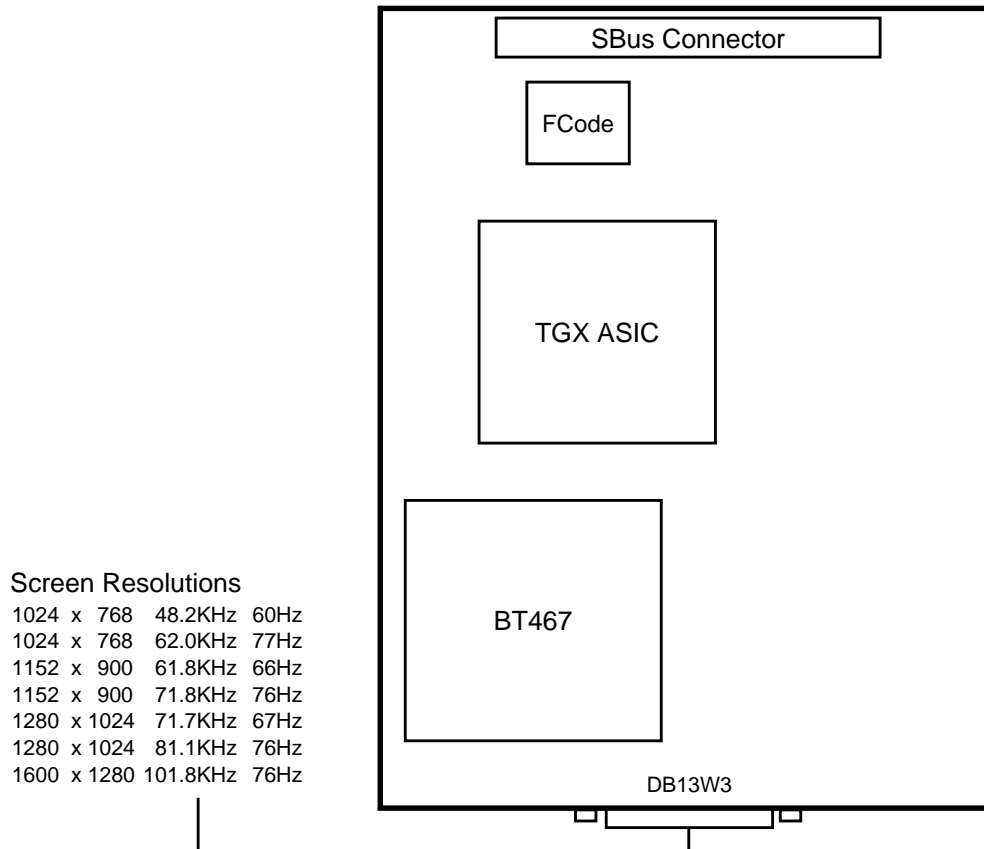
Sun-4/15/30/50/75 SS4 SS5 SS10 SS20 SS600

SS1000 SC2000 A11 A12 A14

E3000 E4000 E5000 E6000 E3500 E4500 E5500 E6500

Option 367 3655

501-2955



UNIX ID: /dev/cgsix0

Notes

1. The minimum operating system is SunOS 4.1.1.
2. To test multiple cards with SunDiag, 4.1.1 requires 4.1.1 GFX Rev 2.
3. The 501-2955 is not compatible with the SS5 on Solaris 1.x.
4. The SS2 requires OBP \geq 2.4.

References

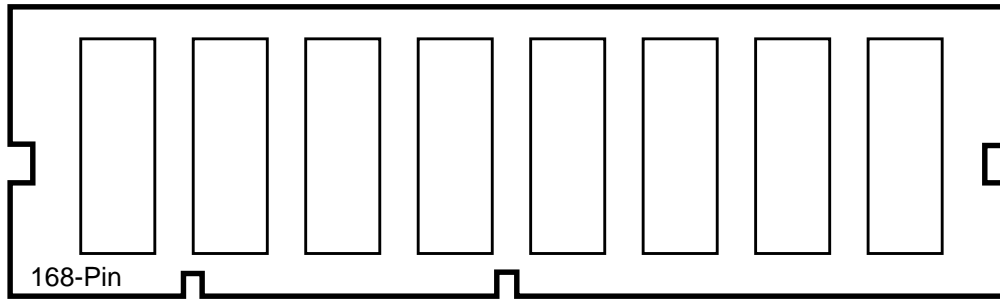
1. *TurboGX/TurboGXplus Hardware Installation Guide*, 801-5399-10.
2. *TurboGXplus Hardware Installation Guide*, 800-7579-10.
3. *Platform Notes: SMCC Frame Buffers*, 802-2661-10.
4. *Platform Notes: SMCC Frame Buffers*, 802-3755-10.
5. *Platform Notes: SMCC Frame Buffers*, 802-5011-10.

1MB Video SIMM

SS4

Option 102

501-2576



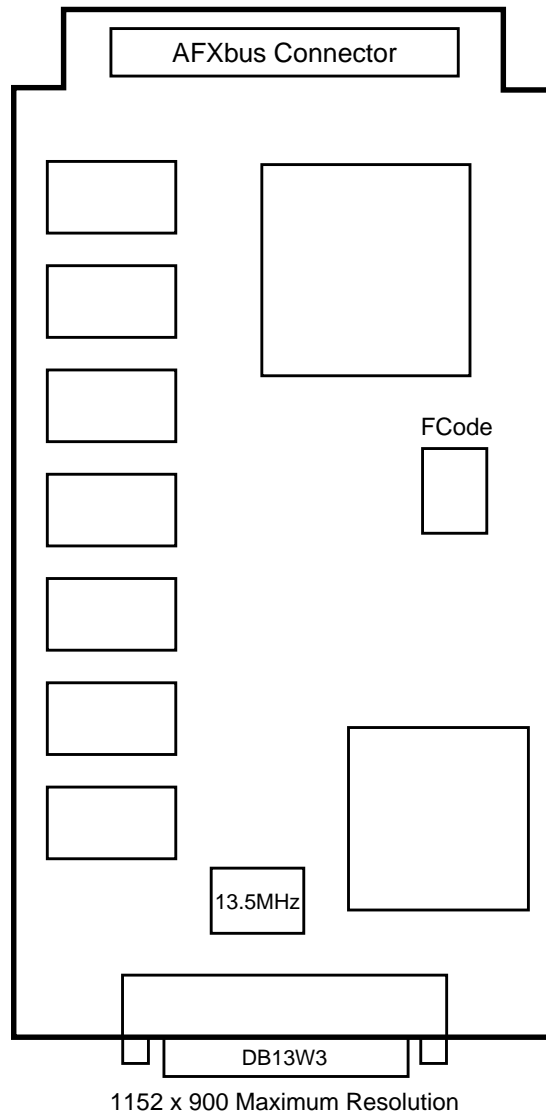
UNIX ID: /dev/txc0

Notes

1. The minimum operating system is Solaris 1.1.2 or 2.4 Hardware:11/94.
2. Video memory without the VSIMM installed is 1MB.
3. Video memory with the VSIMM installed is 2MB.
4. The VSIMM adds support for 1280 x 1024 resolution.

Reference: *SPARCstation 4 VSIMM Installation Guide*, 802-1898.

S24
 24-Bit Color Frame Buffer
 SS5
 Options 323 324
 501-2337



UNIX ID: /dev/tcx0

Notes

1. The minimum operating system is Solaris 2.3 Hardware: 8/94.
2. Solaris 2.3 HW: 8/94 on the Model 110 requires Patch 101863-02.
3. Solaris 2.4 HW: 11/94 on the Model 110 requires Patch 101923-05.
4. Solaris 2.4 HW: 3/95 on the Model 110 requires Patch 101923-05.
5. The S24 uses the backpanel opening for SBus Slot 3.

Reference: *S24 Frame Buffer Installation Manual*, 801-5519-10.

Auxiliary Video Board

SS10SX SS20

Options 325 326 327 345 346 347

501-2020

501-2488

SS10SX

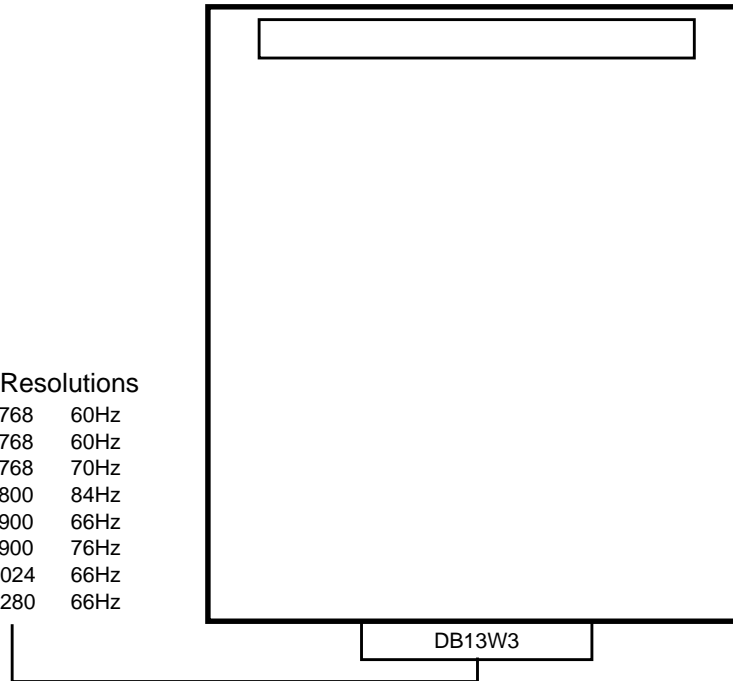
SS20

83.8 mm x 98.4 mm

83.8 mm x 95.6 mm

Screen Resolutions

1024 x 768	60Hz
1024 x 768	60Hz
1024 x 768	70Hz
1024 x 800	84Hz
1152 x 900	66Hz
1152 x 900	76Hz
1280 x 1024	66Hz
1600 x 1280	66Hz



Notes

1. The minimum operating system is Solaris 2.3.
2. Solaris 2.3 requires the Solaris 2.3 Supplement CD, 704-4195-10.
3. Solaris 2.6 does not support XIL compute acceleration for the SX.
4. The Auxiliary Video Board is required if two VSIMMs are installed.
5. Install the second VSIMM in J0202 on the SS10SX CPU.
6. Install the second VSIMM in J0406 on the SS20 CPU.
7. Use the **sxconfig** (1M) command to configure contiguous memory.
8. Use the **cg14config** (1M) command to change resolutions.

References

1. *SPARCstation 10SX VSIMMs Installation*, 801-2535-10.
2. *SPARCstation 20 VSIMMs Installation*, 801-6185-10.
3. *SS10SX System Configuration Guide*, 801-5498-10.
4. *SS10SX and SS20 System Configuration Guide*, 801-7287-10.
5. *Platform Notes: SMCC Frame Buffers*, 802-2661-10.
6. *Platform Notes: SMCC Frame Buffers*, 802-3755-10.
7. *Platform Notes: SMCC Frame Buffers*, 802-5011-10.

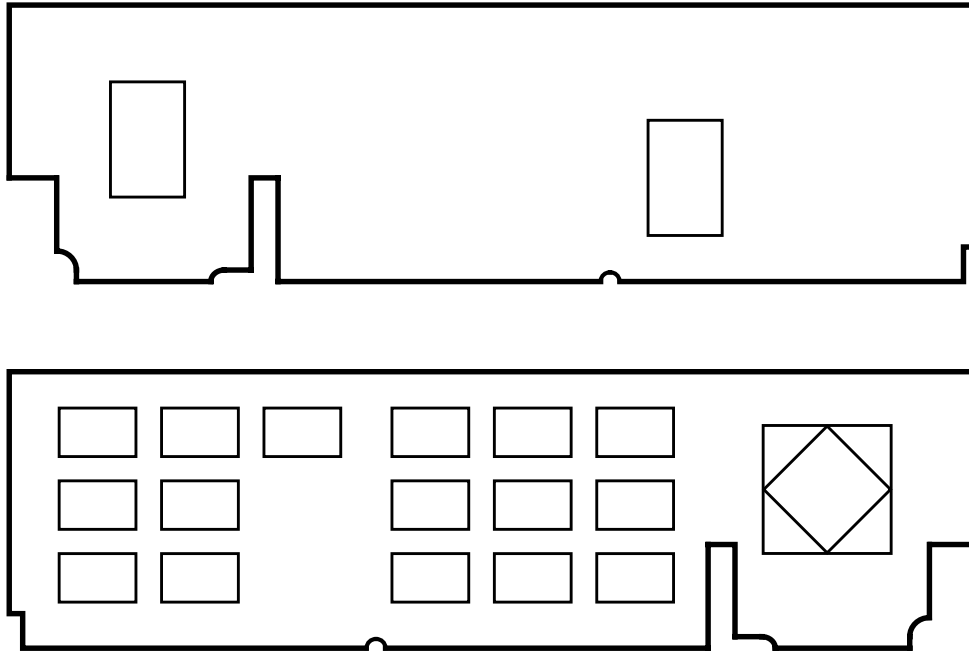
CG14

4MB 60ns 24-Bit VSIMM

SS20

Options 325 327

501-2481



Screen Resolutions

1024 x 768	60Hz
1024 x 768	60Hz
1024 x 768	70Hz
1024 x 800	84Hz
1152 x 900	66Hz
1152 x 900	76Hz
1280 x 1024	66Hz
1600 x 1280	67Hz

UNIX ID: /dev/cgfourteen0

Notes

1. The minimum operating system is Solaris 2.3.
2. Solaris 2.3 requires the Solaris 2.3 Supplement CD, 704-4195-10.
3. Solaris 2.6 does not support XIL compute acceleration for the SX.
4. Install the first VSIMM in J0407 and the second VSIMM in J0406.
5. The Auxiliary Video Board is required if two VSIMMs are installed.
6. Use the **sxconfig** (1M) command to configure contiguous memory.
7. Use the **cg14config** (1M) command to change resolutions.

References

1. *SPARCstation 20 VSIMMs Installation*, 801-6185-10.
2. *SS10SX and SS20 System Configuration Guide*, 801-7287-10.

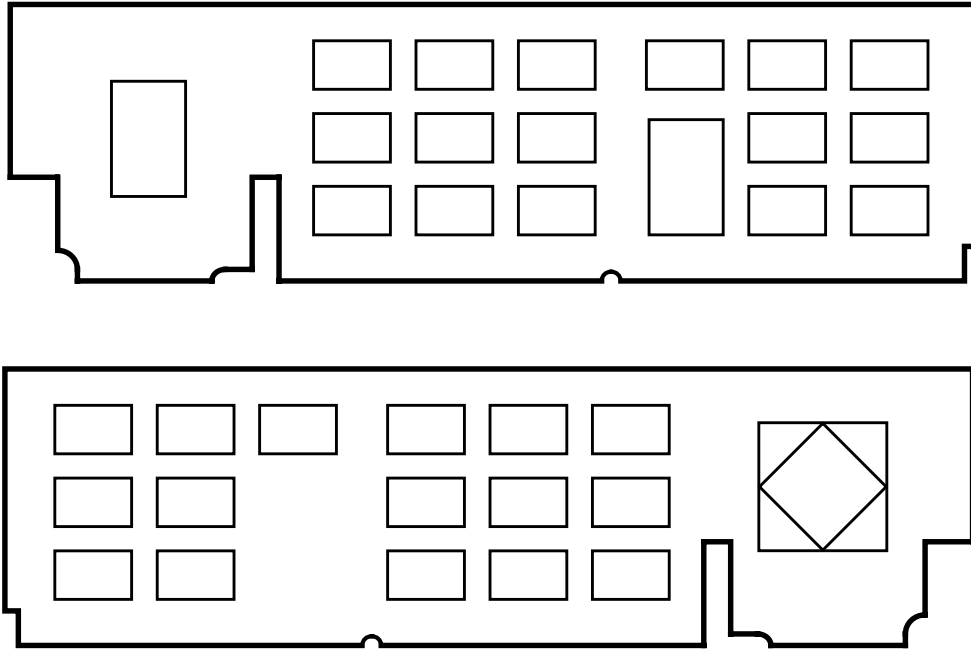
CG14

8MB 60ns 24-Bit VSIMM

SS20

Option 326

501-2482



Screen Resolutions

1024 x 768	60Hz
1024 x 768	60Hz
1024 x 768	70Hz
1024 x 800	84Hz
1152 x 900	66Hz
1152 x 900	76Hz
1280 x 1024	66Hz
1600 x 1280	66Hz

UNIX ID: /dev/cgfourteen0

Notes

1. The minimum operating system is Solaris 2.3.
2. Solaris 2.3 requires the Solaris 2.3 Supplement CD, 704-4195-10.
3. Solaris 2.6 does not support XIL compute acceleration for the SX.
4. Install the first VSIMM in J0407 and the second VSIMM in J0406.
5. The Auxiliary Video Board is required if two VSIMMs are installed.
6. Use the **sxconfig** (1M) command to configure contiguous memory.
7. Use the **cg14config** (1M) command to change resolutions.

References

1. *SPARCstation 20 VSIMMs Installation*, 801-6185-10.
2. *SS10SX and SS20 System Configuration Guide*, 801-7287-10.

Elite3D-m3 Elite3D-m6 AFB Series 1

24-Bit Color Frame Buffer

A16 A22 A23 A27

Options 3664 3665

501-4860
Elite3D-m3/FRU

501-5268
Elite3D-m3/FRU

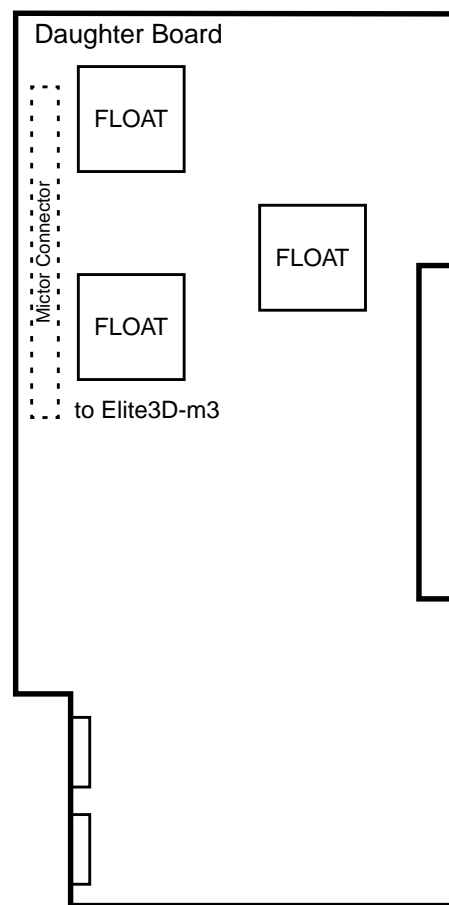
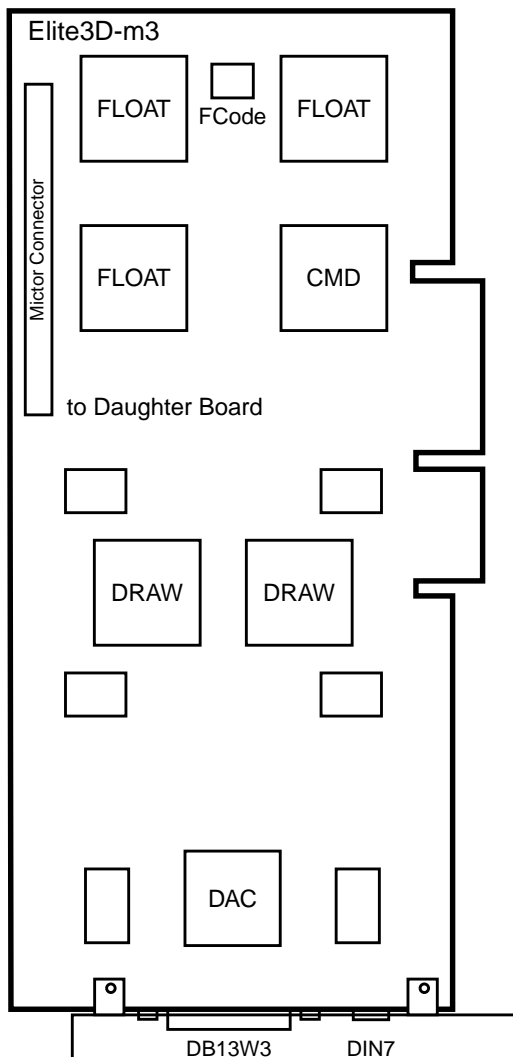
501-5201
Elite3D-m3

501-5484
Elite3D-m3/FRU

540-3623
Elite3D-m6/FRU
501-4860 + 501-5058

540-3902
Elite3D-m6/FRU
501-5201 + 501-5058

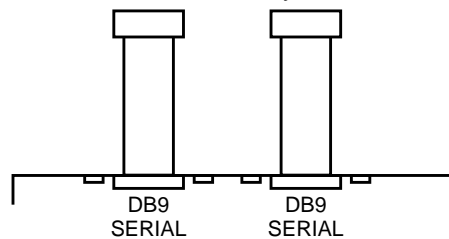
501-5058
Daughter Board



Screen Resolutions

640 x 480	60Hz	1024 x 800	84Hz
i640 x 480	60Hz	1152 x 900	76Hz
i768 x 575	50Hz	1152 x 900	66Hz
s960 x 680	108Hz	1280 x 800	76Hz
s960 x 680	112Hz	1280 x 1024	76Hz
1024 x 768	77Hz	1280 x 1024	67Hz
1024 x 768	75Hz	1280 x 1024	60Hz
1024 x 768	70Hz		

Ribbon Cable Assembly 530-2672



501-4860	501-5268	501-5201	501-5484
540-3623	540-3902	501-5058	

Operating System Notes

1. The minimum OS is Solaris 2.5.1 HW: 11/97 or Solaris 2.6 HW: 3/98.
2. The *Elite3D Supplemental CD for Solaris 2.5.1* is required.
3. Elite3D device drivers are bundled in Solaris 2.6 Hardware: 3/98.

Board Notes

1. Do NOT assemble or disassemble an Elite3D-m6. The Mictor connector can be damaged during assembly and disassembly.
2. Elite3D-m6 assembly 540-3623 includes 501-4860 and 501-5058.
3. Elite3D-m6 assembly 540-3902 includes 501-5201 and 501-5058.
4. Elite3D-m3 501-5484 includes 501-5201 and barcode label 262-5463.
5. Elite3D-m3 501-5268 includes 501-4860 and barcode label 262-5565.

Compatibility Notes

1. Elite3D-m3 is not compatible with 300MHz Module ≤501-4379-05.
2. Elite3D-m3 is not compatible with 300MHz Module ≤501-5040-02.

References

1. *afbconfig* (1M) and *afb* (7D) manual pages.
2. *Elite3D Installation Guide*, 805-4391-10.

Elite3D-m3 Elite3D-m6 AFB Series 2

24-Bit Color Frame Buffer

A16 A22 A23 A27

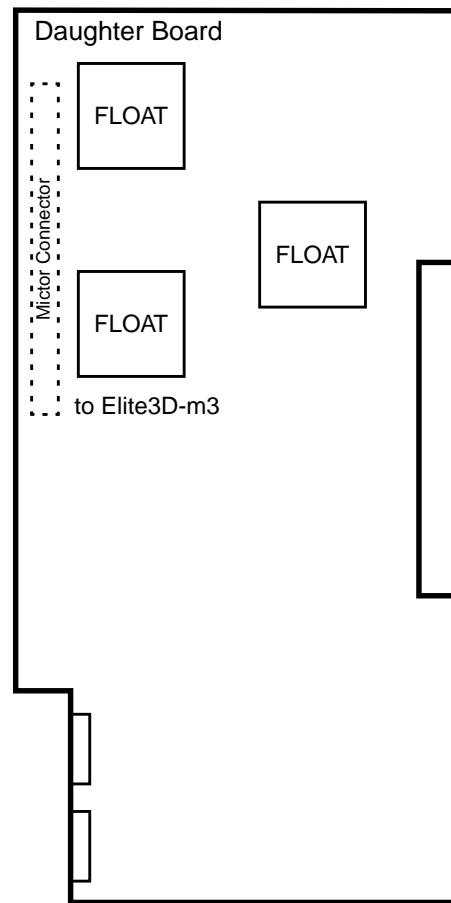
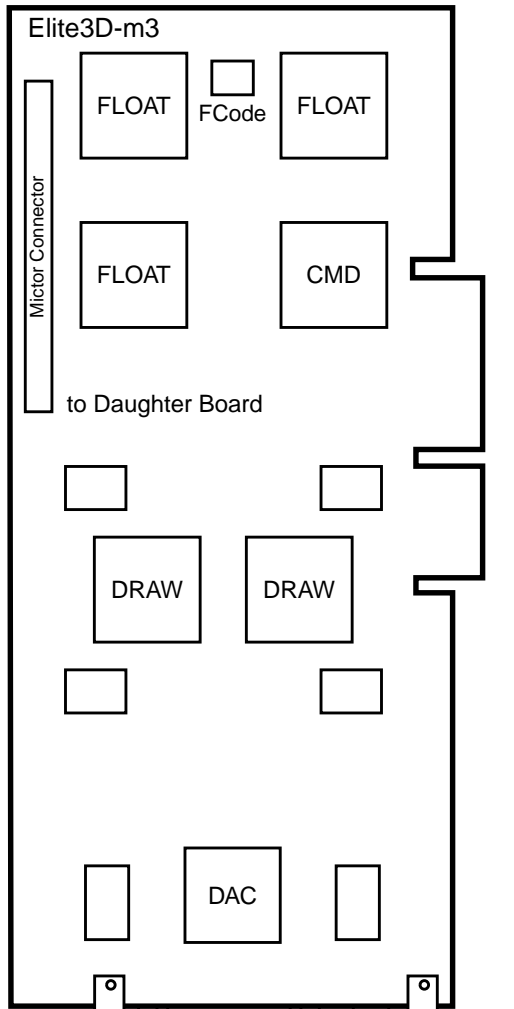
Options 3677 3679

501-5574
Elite3D-m3/FRU

501-5575
Elite3D-m3

540-4313
Elite3D-m6/FRU
501-5575 + 501-5058

501-5058
Daughter Board

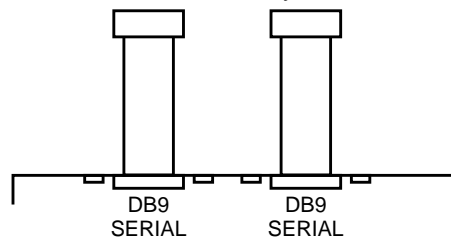


DB13W3 VIDEO DIN7 STEREO

Screen Resolutions

640 x 480	60Hz	1024 x 800	84Hz
i640 x 480	60Hz	1152 x 900	76Hz
i768 x 575	50Hz	1152 x 900	66Hz
s960 x 680	108Hz	1280 x 800	76Hz
s960 x 680	112Hz	1280 x 1024	76Hz
1024 x 768	77Hz	1280 x 1024	67Hz
1024 x 768	75Hz	1280 x 1024	60Hz
1024 x 768	70Hz		

Ribbon Cable Assembly 530-2672



501-5574

501-5575

540-4313

501-5058

Operating System Notes

1. The minimum OS is Solaris 2.5.1 HW: 11/97 or Solaris 2.6 HW: 3/98.
2. The *Elite3D Supplemental CD for Solaris 2.5.1* is required.
3. Elite3D device drivers are bundled in Solaris 2.6 Hardware: 3/98.

Board Notes

1. Do NOT assemble or disassemble an Elite3D-m6. The Mictor connector can be damaged during assembly and disassembly.
2. Elite3D-m6 assembly 540-3623 includes 501-4860 and 501-5058.
3. Elite3D-m6 assembly 540-3902 includes 501-5201 and 501-5058.
4. Elite3D-m3 501-5484 includes 501-5201 and barcode label 262-5463.
5. Elite3D-m3 501-5268 includes 501-4860 and barcode label 262-5565.

Compatibility Notes

1. Elite3D-m3 is not compatible with 300MHz Module ≤501-4379-05.
2. Elite3D-m3 is not compatible with 300MHz Module ≤501-5040-02.

References

1. *afbconfig* (1M) and *afb* (7D) manual pages.
2. *Elite3D Installation Guide*, 805-4391-10.

Elite3D-m6 AFB
 24-Bit Color Frame Buffer
 A14 A20

E3000 E4000 E5000 E6000 E3500 E4500 E5500 E6500

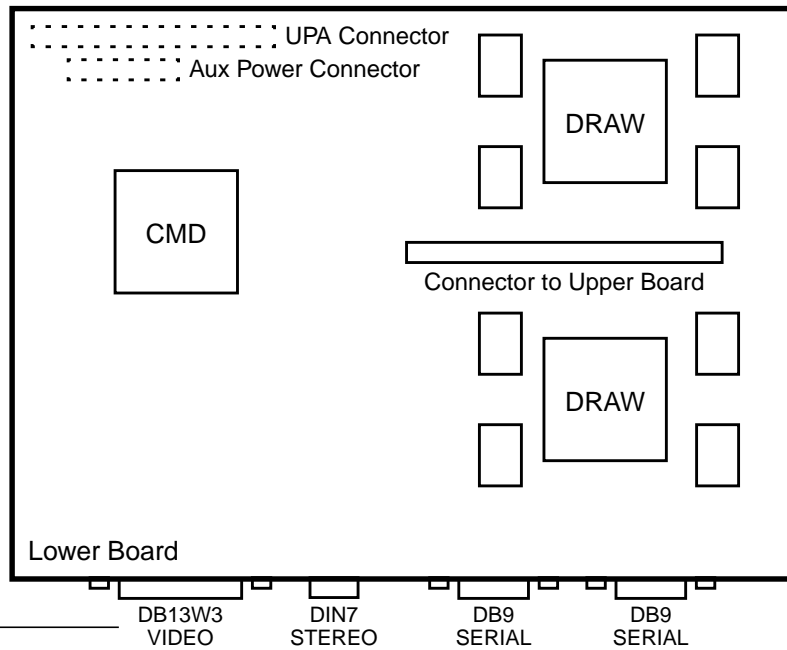
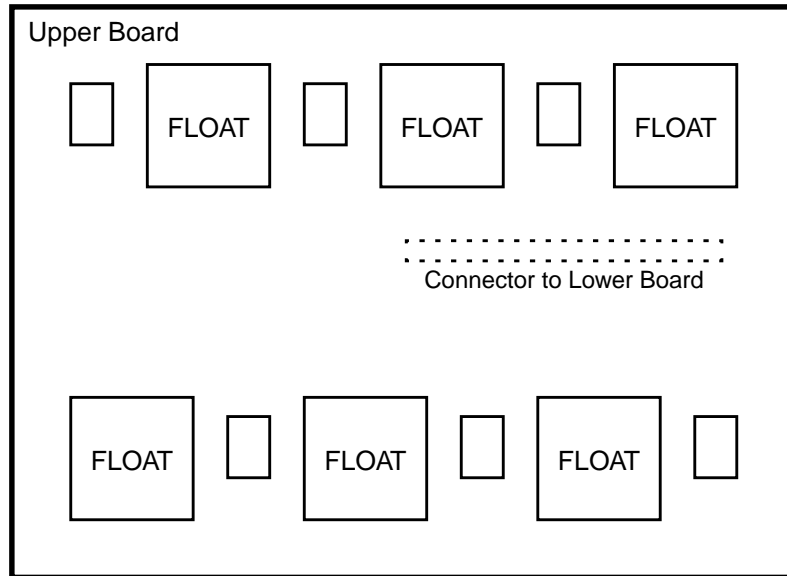
Options 3666 3667

540-3058
 AFB Assembly

540-3979
 AFB Assembly

501-4231
 Lower Board

501-4232
 Upper Board



Screen Resolutions

640 x 480	60Hz
i640 x 480	60Hz
i768 x 575	50Hz
s960 x 680	108Hz
s960 x 680	112Hz
1024 x 768	77Hz
1024 x 768	75Hz
1024 x 768	70Hz
1024 x 768	60Hz
1024 x 800	84Hz
1152 x 900	76Hz
1152 x 900	66Hz
1280 x 800	76Hz
1280 x 1024	76Hz
1280 x 1024	67Hz
1280 x 1024	60Hz

540-3058

540-3979

501-4231

501-4232

Notes

1. The minimum OS is Solaris 2.5.1 HW: 11/97 or Solaris 2.6 HW: 3/98.
2. The *Elite3D Supplemental CD for Solaris 2.5.1* is required.
3. Elite3D device drivers are bundled in Solaris 2.6 Hardware: 3/98.
4. Use Y-Cable 180-1910 to drive multiple monitors from the stereo port.

Compatibility Notes

1. Lower board ≤501-4231-06 is not compatible with the A20.
2. Assembly ≤540-3058-06 is not compatible with the A20.
3. Assembly 540-3058 is not compatible with the E3x00-E6x00.

References

1. *afbconfig* (1M) and *afb* (7D) manual pages.
2. *Elite3D Installation Guide*, 805-3321-10.
3. *Elite3D Installation on Sun Enterprise Servers*, 805-6938-10.

Elite3D-m6 AFB

24-Bit Color Frame Buffer

A14 A20

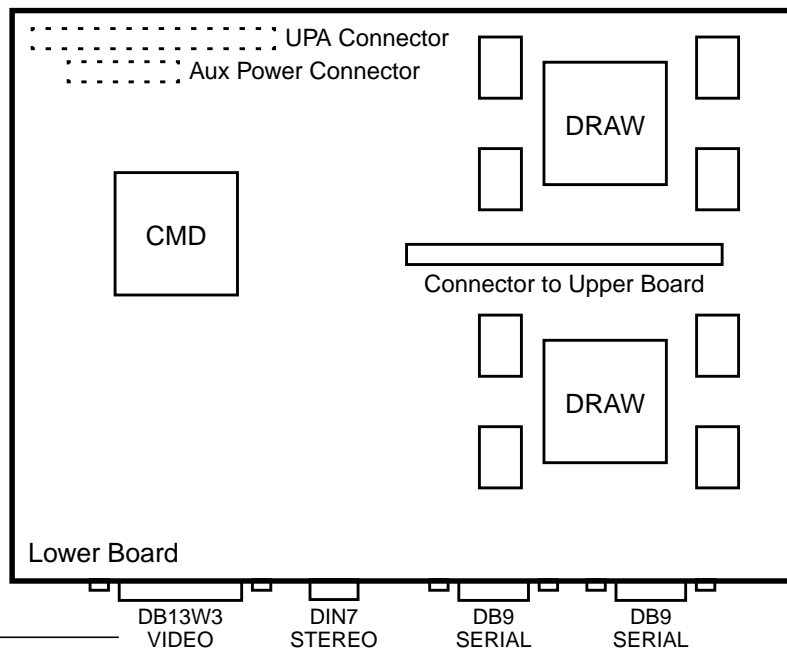
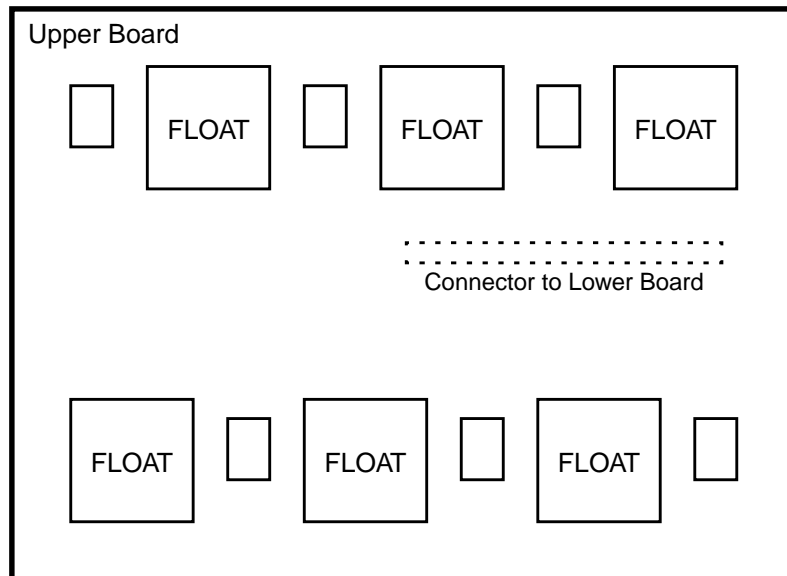
E3000 E4000 E5000 E6000 E3500 E4500 E5500 E6500

Options 3680

540-4335
AFB Assembly

501-5608
Lower Board

501-4232
Upper Board



Screen Resolutions

640 x 480	60Hz
i640 x 480	60Hz
i768 x 575	50Hz
s960 x 680	108Hz
s960 x 680	112Hz
1024 x 768	77Hz
1024 x 768	75Hz
1024 x 768	70Hz
1024 x 768	60Hz
1024 x 800	84Hz
1152 x 900	76Hz
1152 x 900	66Hz
1280 x 800	76Hz
1280 x 1024	76Hz
1280 x 1024	67Hz
1280 x 1024	60Hz

540-4335

501-5608

501-4232

Notes

1. The minimum OS is Solaris 2.5.1 HW: 11/97 or Solaris 2.6 HW: 3/98.
2. The *Elite3D Supplemental CD for Solaris 2.5.1* is required.
3. Elite3D device drivers are bundled in Solaris 2.6 Hardware: 3/98.
4. Use Y-Cable 180-1910 to drive multiple monitors from the stereo port.

References

1. *afbconfig* (1M) and *afb* (7D) manual pages.
2. *Elite3D Installation Guide*, 805-3321-10.
3. *Elite3D Installation on Sun Enterprise Servers*, 805-6938-10.

Creator Series 1 FFB

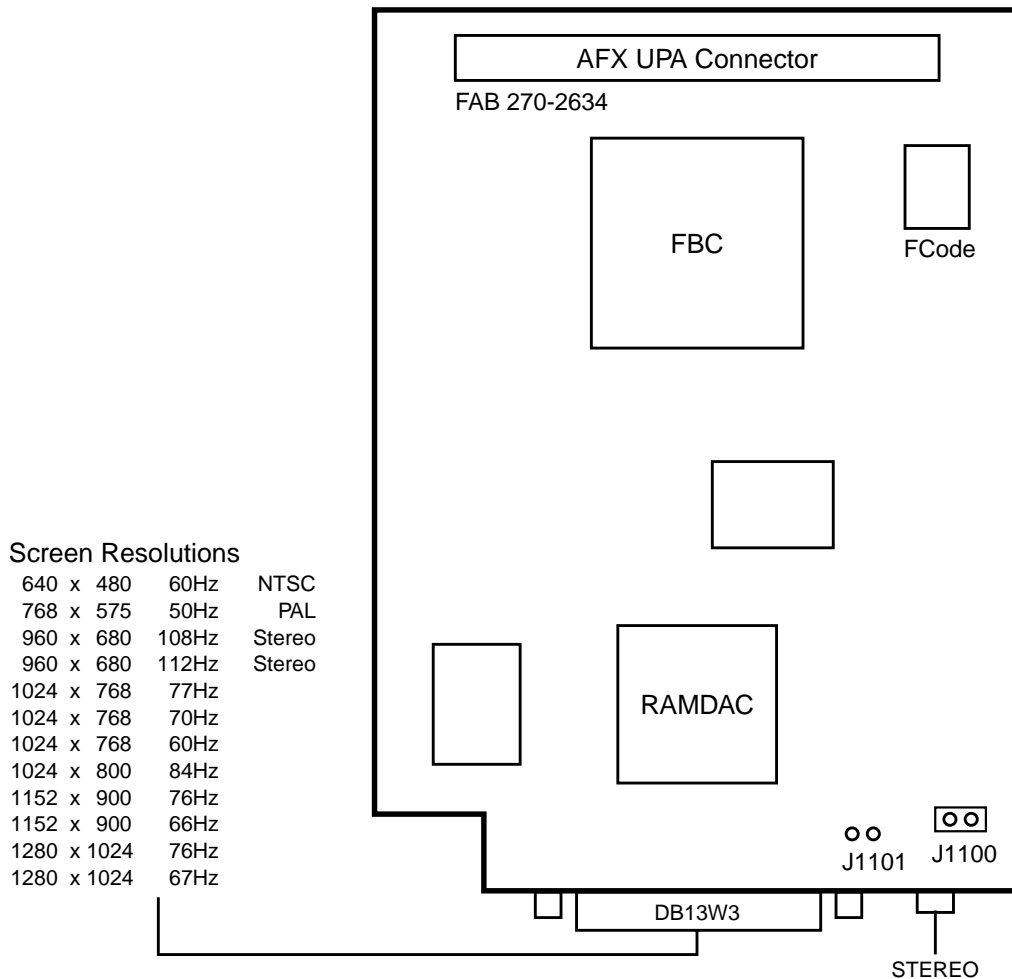
24-Bit Color Frame Buffer

A12 A14

Option 3651

501-2634

67MHz Clock



UNIX ID: /dev/ffb0

Notes

1. Revisions \leq 501-2634-04 are not compatible with the E3x00, E4x00, E5x00, or E6x00. Use 501-2634-05 or 501-4127.
2. The FFB has a combined framebuffer and graphics clock.

References

1. *ffbconfig* (1M) and *ffb* (7D) manual pages.
2. *Creator Installation Guide*, 802-6682-11.
3. *Creator Installation Guide*, 802-7731-11.
4. *Platform Notes: SMCC Frame Buffers*, 802-3755-10.
5. *Platform Notes: SMCC Frame Buffers*, 802-5011-10.

Creator Series 1 FFB

24-Bit Color Frame Buffer

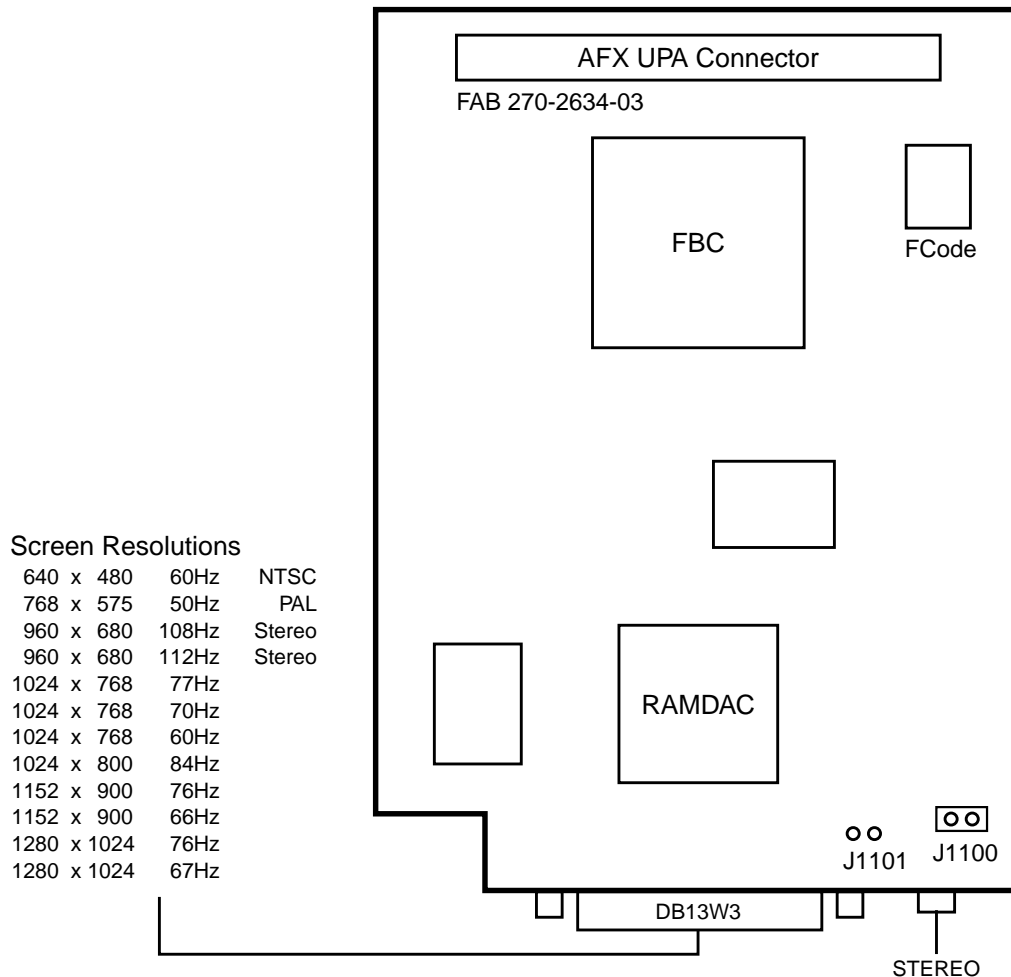
A12 A14

E3000 E4000 E5000 E6000 E3500 E4500 E5500 E6500

Options 3651 3653 3669

501-4127

67MHz Clock



UNIX ID: /dev/ffb0

Notes

1. Revisions \leq 501-2634-04 are not compatible with the E3x00, E4x00, E5x00, or E6x00. Use 501-2634-05 or 501-4127.
2. The FFB has a combined framebuffer and graphics clock.

References

1. *ffbconfig* (1M) and *ffb* (7D) manual pages.
2. *Creator Installation Guide*, 802-6682-11.
3. *Creator Installation Guide*, 802-7731-11.
4. *Platform Notes: SMCC Frame Buffers*, 802-3755-10.
5. *Platform Notes: SMCC Frame Buffers*, 802-5011-10.

Creator3D Series 1 FFB

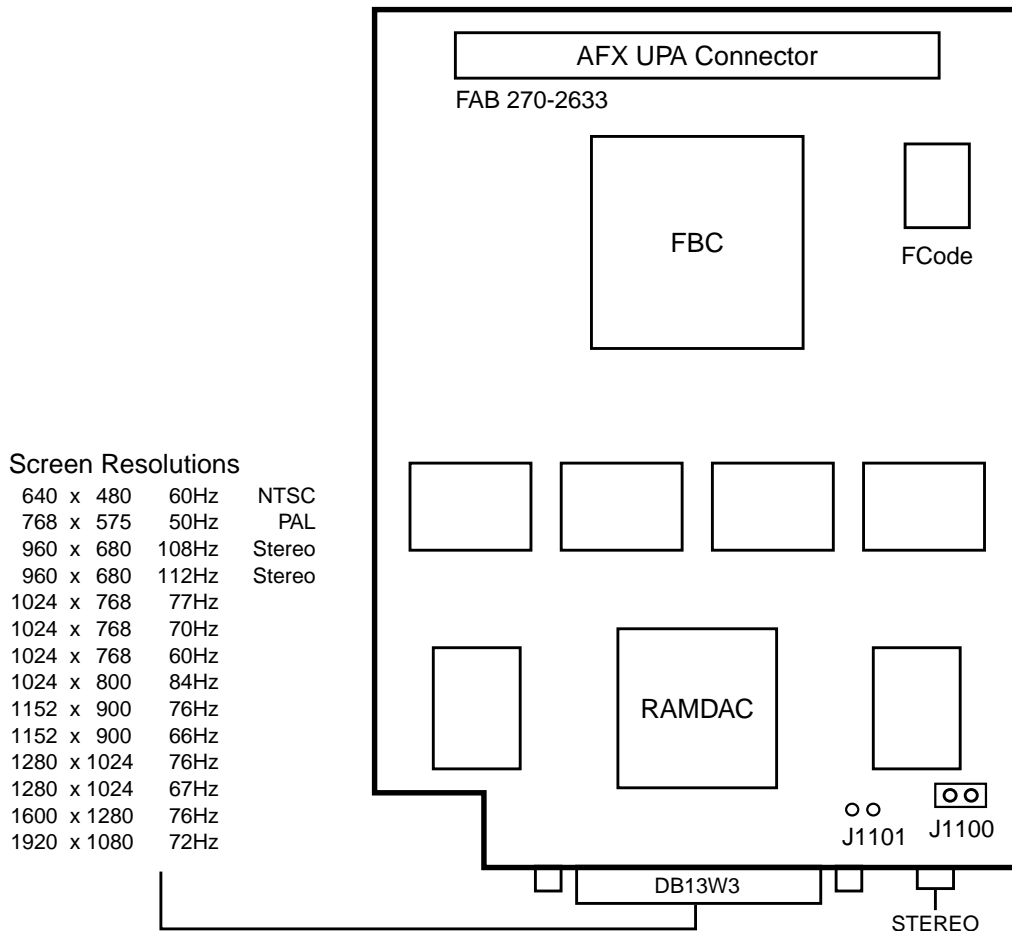
24-Bit Color Frame Buffer

A12 A14

Option 3652

501-2633

67MHz Clock



Screen Resolutions

640 x 480	60Hz	NTSC
768 x 575	50Hz	PAL
960 x 680	108Hz	Stereo
960 x 680	112Hz	Stereo
1024 x 768	77Hz	
1024 x 768	70Hz	
1024 x 768	60Hz	
1024 x 800	84Hz	
1152 x 900	76Hz	
1152 x 900	66Hz	
1280 x 1024	76Hz	
1280 x 1024	67Hz	
1600 x 1280	76Hz	
1920 x 1080	72Hz	

UNIX ID: /dev/ffb0

Notes

1. Revisions ≤501-2633-05 are not compatible with the E3x00, E4x00, E5x00, or E6x00. Use 501-2633-06 or 501-4126.
2. The FFB has a combined framebuffer and graphics clock.

References

1. *ffbconfig* (1M) and *ffb* (7D) manual pages.
2. *Creator Installation Guide*, 802-6682-11.
3. *Creator Installation Guide*, 802-7731-11.
4. *Platform Notes: SMCC Frame Buffers*, 802-3755-10.
5. *Platform Notes: SMCC Frame Buffers*, 802-5011-10.

Creator3D Series 1 FFB

24-Bit Color Frame Buffer

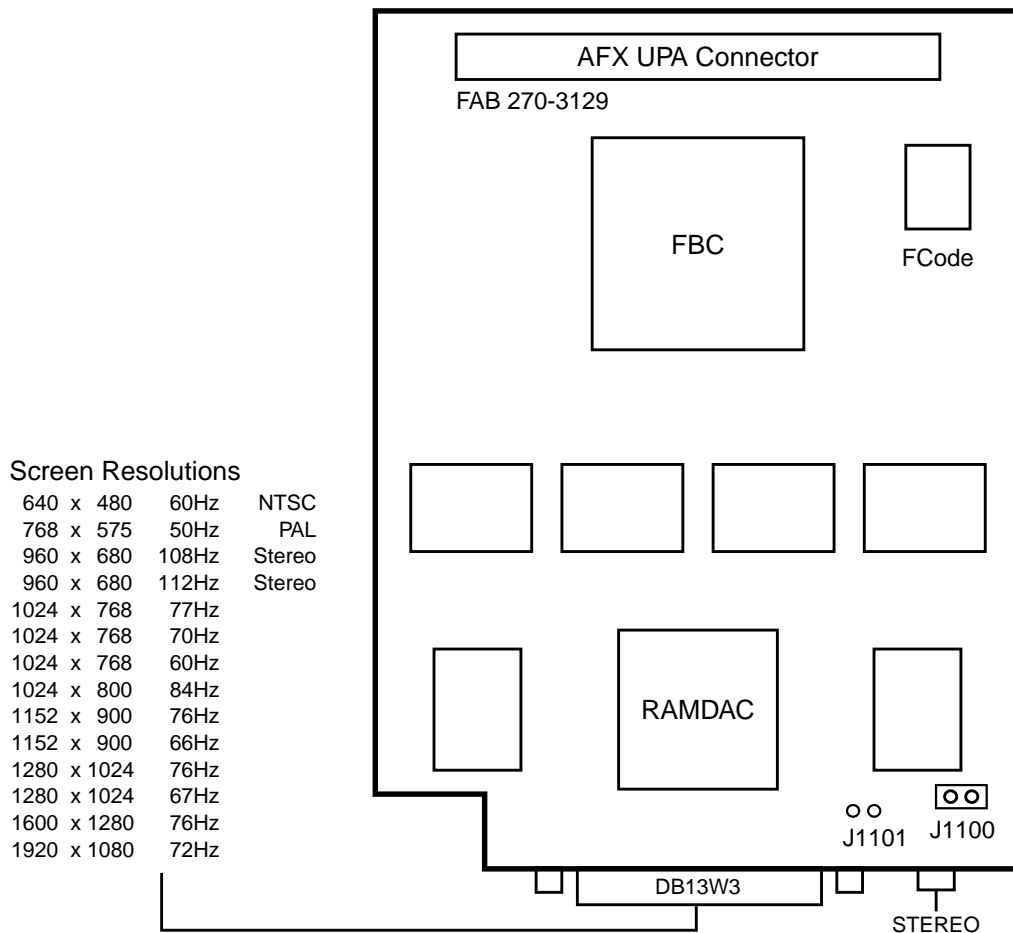
A12 A14

E3000 E4000 E5000 E6000 E3500 E4500 E5500 E6500

Option 3652

501-3129

75MHz Clock



UNIX ID: /dev/ffb0

Notes

1. The 501-3129 was released in May 1996 without an option number.
2. The 501-3129 was assigned Option number 3652 in November 1996.
3. The I/O Graphics board requires iPOST 3.2.6. Refer to BugID 1256295.
4. The FFB has a combined framebuffer and graphics clock.

References

1. *ffbconfig* (1M) and *ffb* (7D) manual pages.
2. *Creator Installation Guide*, 802-6682-11.
3. *Creator Installation Guide*, 802-7731-11.
4. *Platform Notes: SMCC Frame Buffers*, 802-3755-10.
5. *Platform Notes: SMCC Frame Buffers*, 802-5011-10

Creator3D Series 1 FFB

24-Bit Color Frame Buffer

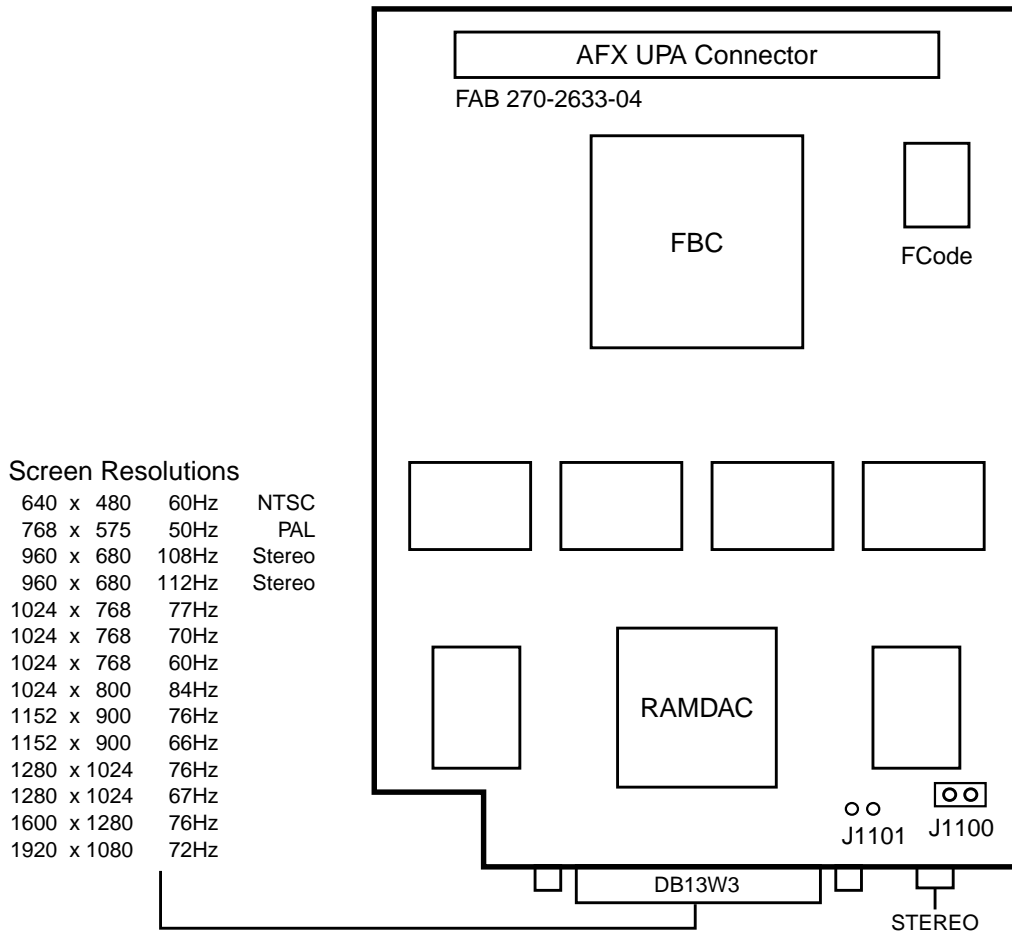
A12 A14

E3000 E4000 E5000 E6000 E3500 E4500 E5500 E6500

Options 3652 3654

501-4126

67MHz Clock



UNIX ID: /dev/ffb0

Note: The FFB has a combined framebuffer and graphics clock.

References

1. *ffbconfig* (1M) and *ffb* (7D) manual pages.
2. *Creator Installation Guide*, 802-6682-11.
3. *Creator Installation Guide*, 802-7731-11.
4. *Platform Notes: SMCC Frame Buffers*, 802-3755-10.
5. *Platform Notes: SMCC Frame Buffers*, 802-5011-10.

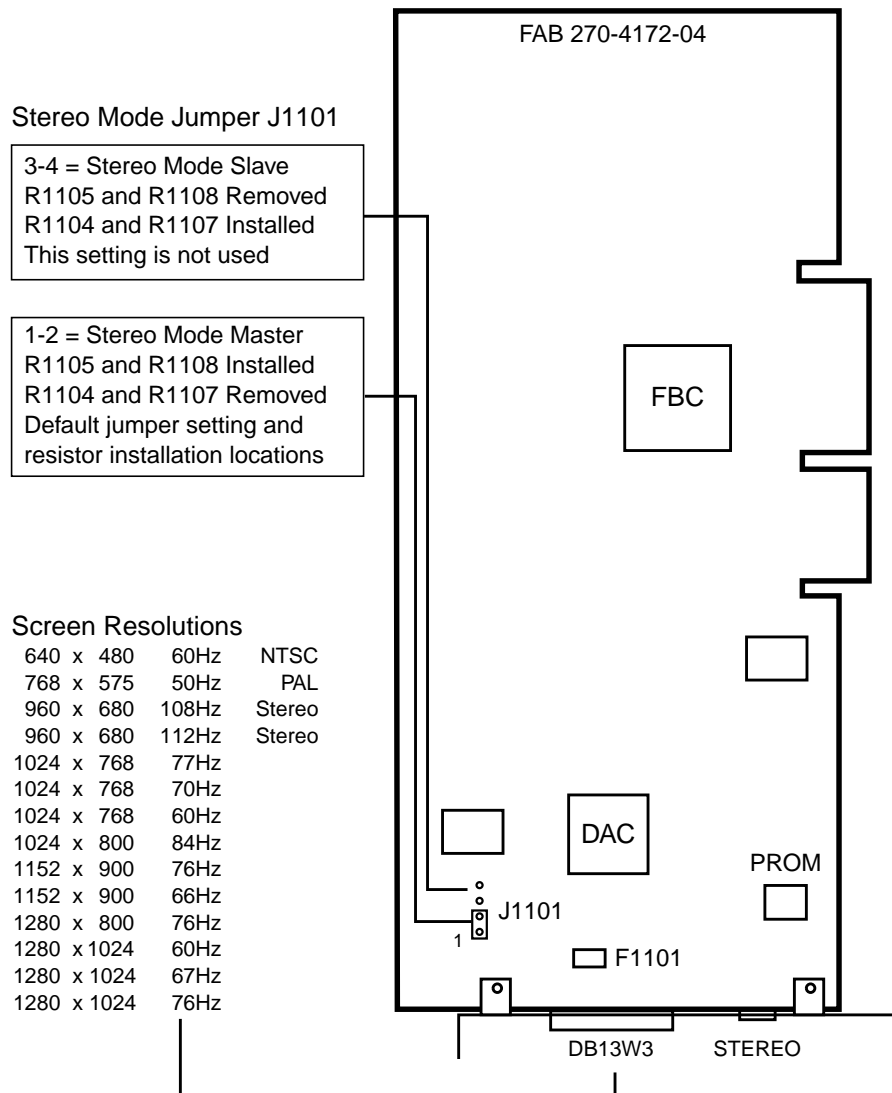
Creator Series 2 FFB2

24-Bit Color Frame Buffer

A16 A23

Options 3658 7131

501-4174



UNIX ID: /dev/ffb0

Note: The minimum operating system is Solaris 2.5.1 Hardware: 4/97.

References

1. *ffbconfig* (1M) and *ffb* (7D) manual pages.
2. *Creator Installation Guide*, 802-7731-11.

Creator3D Series 2 FFB2

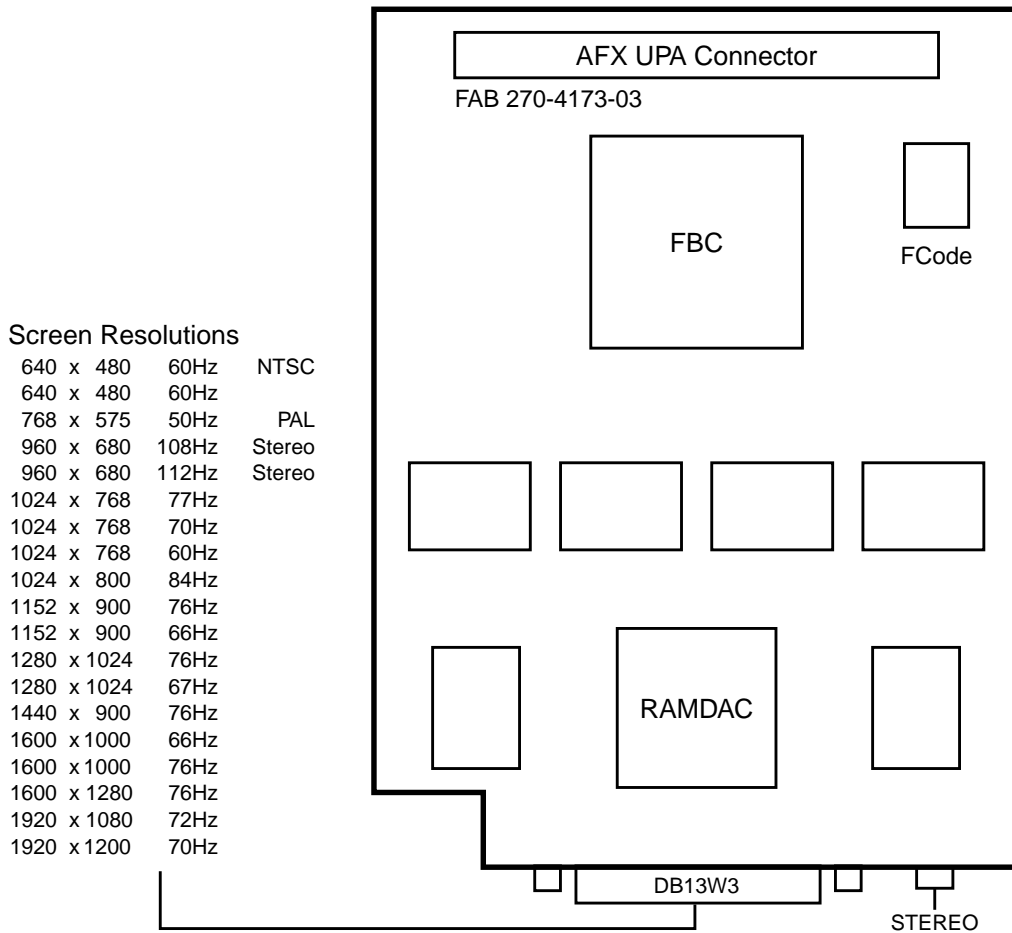
24-Bit Color Frame Buffer

A12 A14

E3000 E4000 E5000 E6000 E3500 E4500 E5500 E6500

Options 3657 3675 7132 7140

501-4173



UNIX ID: /dev/ffb0

Notes

1. The minimum operating system is Solaris 2.5.1 Hardware: 4/97.
2. The E4000 CPU/Memory Board requires OBP 3.2 Version 9.

References

1. *ffbconfig* (1M) and *ffb* (7D) manual pages.
2. *Creator Installation Guide*, 802-7731-11.

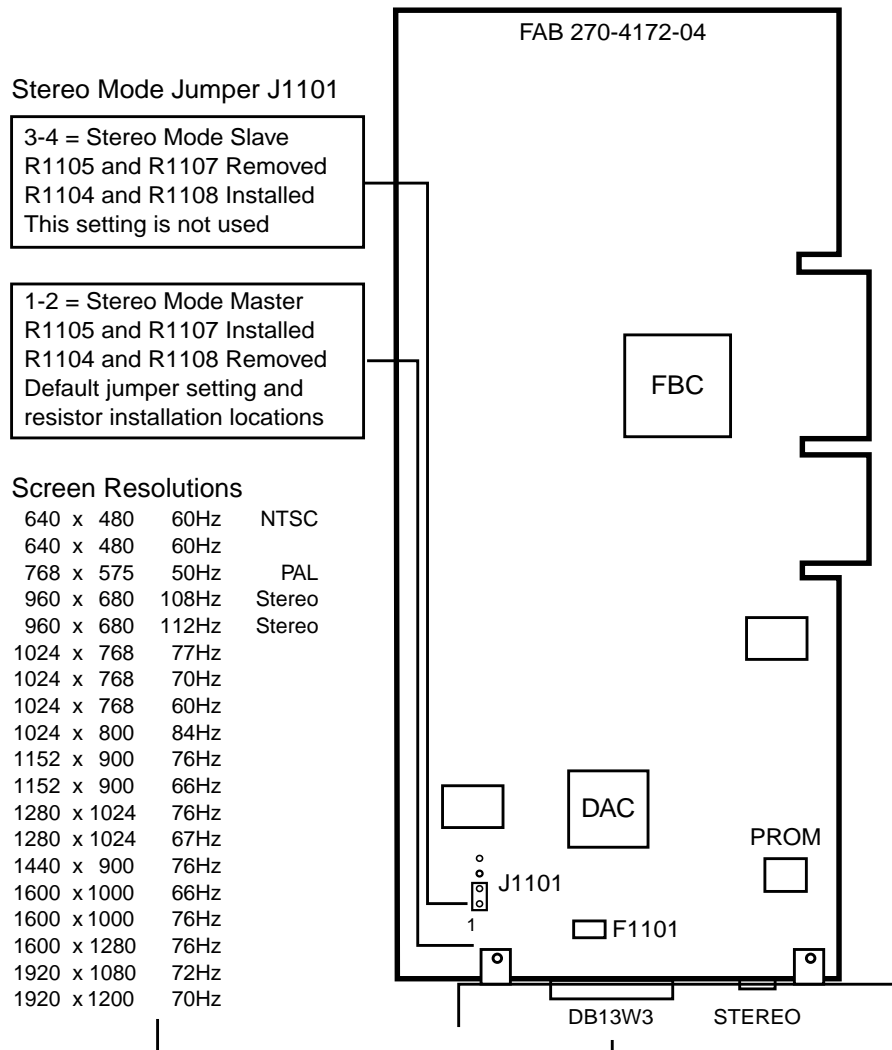
Creator3D Series 2 FFB2

24-Bit Color Frame Buffer

A16 A23

Options 3659 7133 7141

501-4172



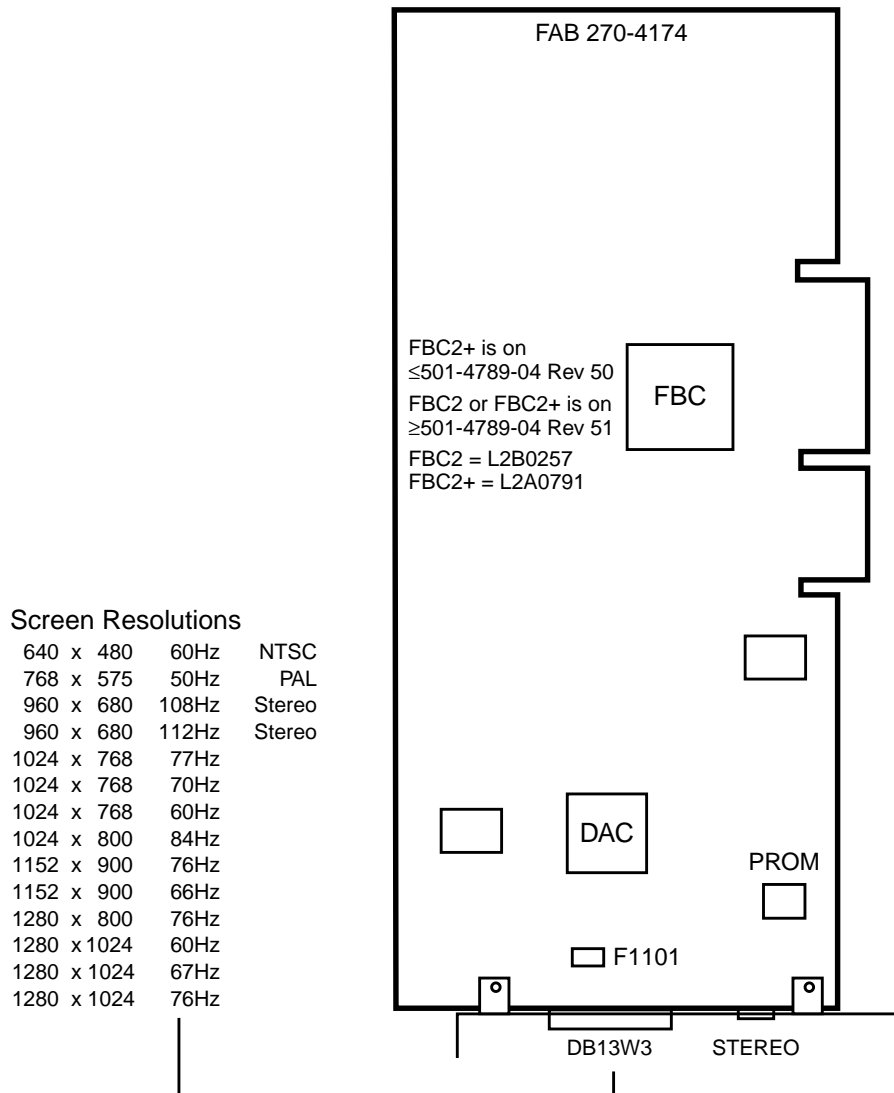
UNIX ID: /dev/ffb0

Note: The minimum operating system is Solaris 2.5.1 Hardware: 4/97.

References

1. *ffbconfig* (1M) and *ffb* (7D) manual pages.
2. *Creator Installation Guide*, 802-7731-11.

Creator Series 3 FFB2+
 24-Bit Color Frame Buffer
 A16 A22 A23
 Options 3662 3672
 501-4789



UNIX ID: /dev/ffb0

Notes

1. The minimum OS is Solaris 2.5.1 HW: 11/97 or 2.6 HW: 3/98.
2. The FFB2+ is not compatible with 300MHz Module 501-4196.
3. The FFB2+ is not compatible with 300MHz Module ≤501-4849-02.
4. The 300MHz Module is not compatible with FFB2+ ≤501-4789-02.
5. Errors may occur using SunVTS 2.1.2 with ≥501-4789-04 Rev 51.

References

1. *ffbconfig* (1M) and *ffb* (7D) manual pages.
2. *Creator Installation Guide*, 802-7731-11.

Creator3D Series 3 FFB2+

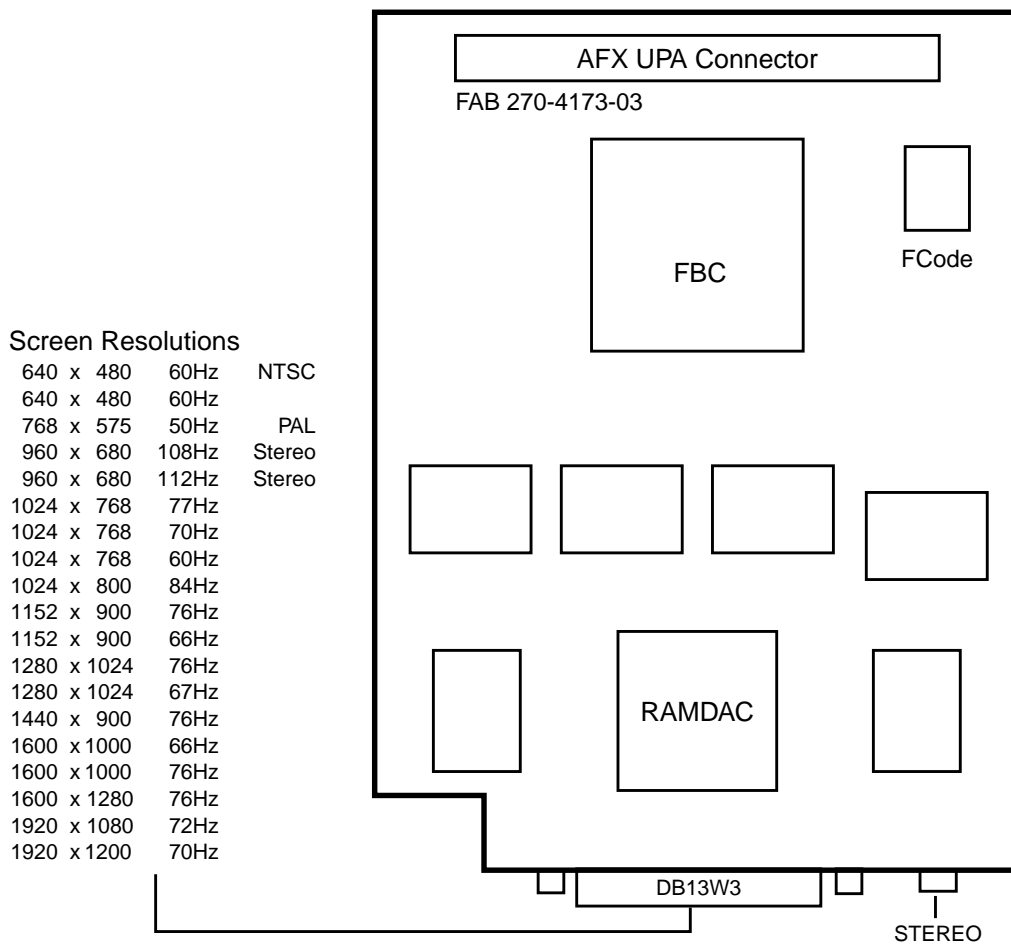
24-Bit Color Frame Buffer

A14

E3000 E4000 E5000 E6000 E3500 E4500 E5500 E6500

Options 3661 3671

501-4790



UNIX ID: /dev/ffb0

Notes

1. The minimum OS is Solaris 2.5.1 HW: 11/97 or 2.6 HW: 3/98.
2. The E3000-E6000 CPU/Memory Board requires OBP 3.2 Version 9.
3. The FFB2+ is not compatible with 300MHz Module 501-4196.
4. The FFB2+ is not compatible with 300MHz Module ≤501-4849-02.

References

1. *ffbconfig* (1M) and *ffb* (7D) manual pages.
2. *Creator Installation Guide*, 802-7731-11.

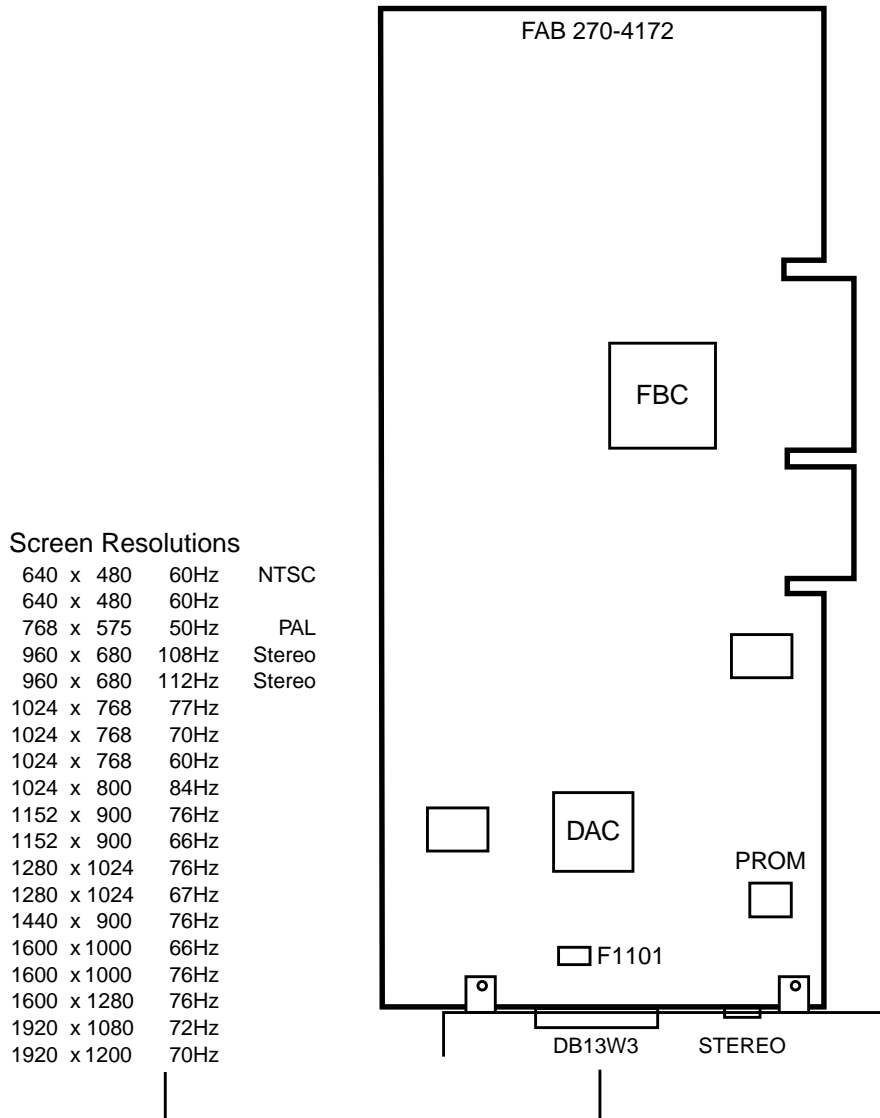
Creator3D Series 3 FFB2+

24-Bit Color Frame Buffer

A16 A22 A23

Options 3663 3670

501-4788 501-5690



UNIX ID: /dev/ffb0

Notes

1. The minimum OS is Solaris 2.5.1 HW: 11/97 or 2.6 HW: 3/98.
2. The FFB2+ is not compatible with 300MHz Module 501-4196.
3. The FFB2+ is not compatible with 300MHz Module ≤501-4849-02.
4. The 300MHz Module is not compatible with FFB2+ ≤501-4788-02.

References

1. *ffbconfig* (1M) and *ffb* (7D) manual pages.
2. *Creator Installation Guide*, 802-7731-11.

PGX

8-Bit Color Frame Buffer

A16 A20 A21 A22 A23 A25 A26

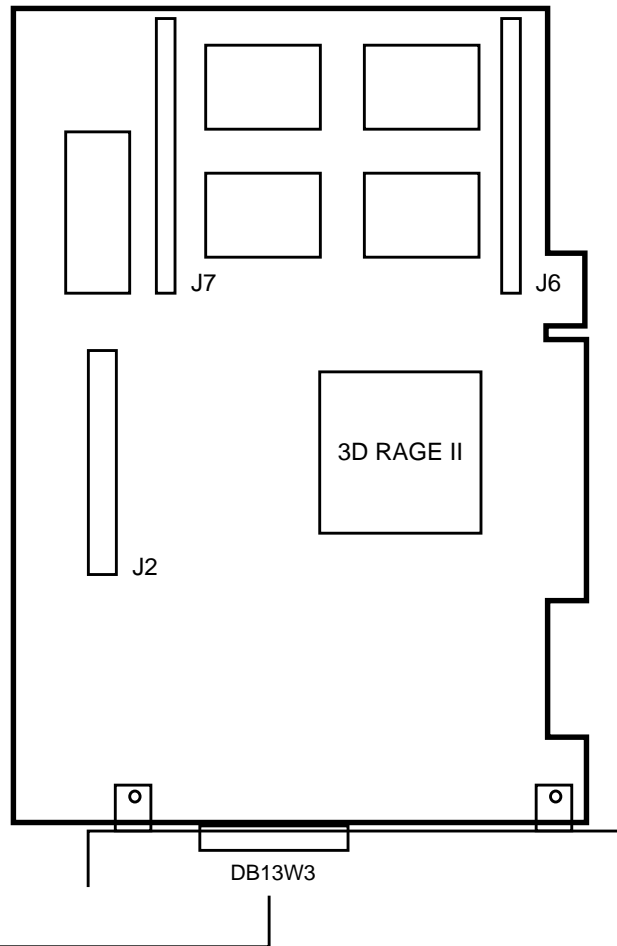
Options 3660 7128 7138 7148

370-2256

5V 32Bit 33MHz

Screen Resolutions

1600 x 1000	79.9KHz	76Hz
1600 x 1000	65.5KHz	66Hz
1440 x 900	71.8KHz	76Hz
1280 x 1024	81.1KHz	76Hz
1280 x 1024	xx.xKHz	75Hz
1280 x 1024	71.7KHz	67Hz
1280 x 1024	xx.xKHz	60Hz
1280 x 800	xx.xKHz	76Hz
1152 x 900	71.7KHz	76Hz
1152 x 900	61.8KHz	66Hz
1024 x 768	xx.xKHz	75Hz
1024 x 768	xx.xKHz	70Hz
1024 x 768	48.3KHz	60Hz
800 x 600	46.8KHz	75Hz
768 x 575	xx.xKHz	50Hz
640 x 480	xx.xKHz	60Hz



UNIX ID: /dev/fbs/m640

Notes

1. The minimum operating system is 2.5.1 Hardware: 4/97.
2. The A20/A25 is not compatible with FCode 1.06 on 370-2256-02.
3. The A20/A25 displays black lines with FCode 1.09. Use FCode 1.11.

Reference: *M64 Installation Guide*, 802-5787-10.

PGX32

8/24-Bit Color Frame Buffer

A16 A20 A21 A22 A23 A25 A26 A27

E3000 E4000 E5000 E6000 E3500 E4500 E5500 E6500

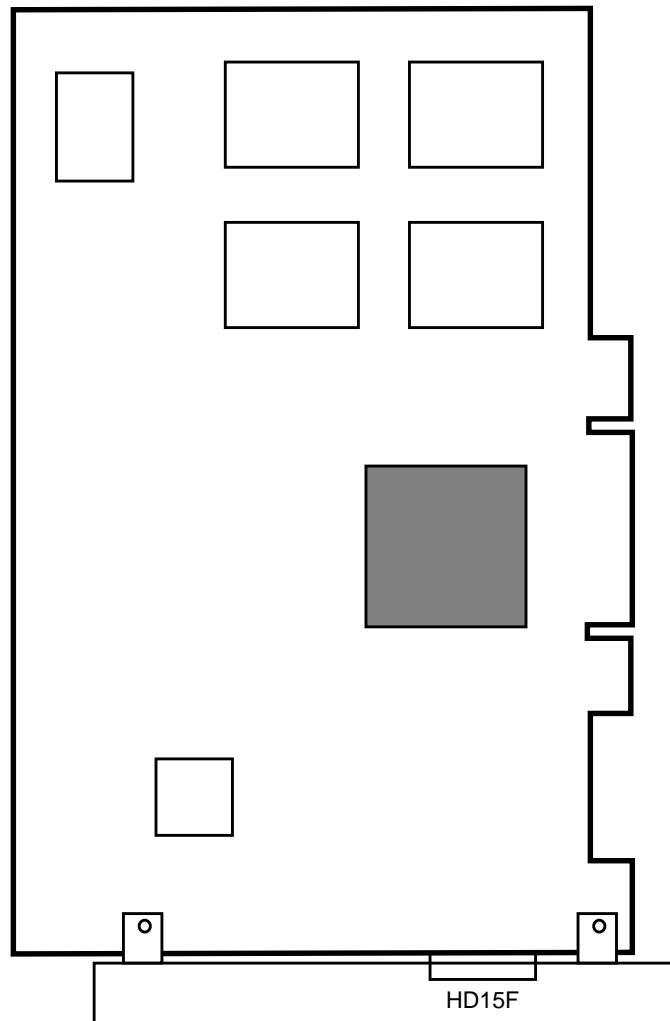
Option 3668

370-3753

3.3/5V 32Bit 33MHz

Screen Resolutions

1600 x 1200	80Hz	Mode 33
1600 x 1200	76Hz	Mode 32
1600 x 1200	75Hz	Mode 31
1600 x 1200	70Hz	Mode 30
1600 x 1200	65Hz	Mode 29
1600 x 1200	60Hz	Mode 28
1600 x 1200	76Hz	Mode 27
1600 x 1200	66Hz	Mode 26
1280 x 1024	85Hz	Mode 25
1280 x 1024	76Hz	Mode 24
1280 x 1024	75Hz	Mode 23
1280 x 1024	67Hz	Mode 22
1280 x 1024	60Hz	Mode 21
1280 x 800	76Hz	Mode 20
1152 x 900	85Hz	Mode 19
1152 x 900	76Hz	Mode 18
1152 x 900	75Hz	Mode 17
1152 x 900	70Hz	Mode 16
1152 x 900	66Hz	Mode 15
1152 x 900	60Hz	Mode 14
1024 x 800	85Hz	Mode 13
1024 x 768	85Hz	Mode 12
1024 x 768	77Hz	Mode 11
1024 x 768	75Hz	Mode 10
1024 x 768	70Hz	Mode 9
1024 x 768	60Hz	Mode 8
800 x 600	85Hz	Mode 7
800 x 600	75Hz	Mode 6
800 x 600	72Hz	Mode 5
800 x 600	60Hz	Mode 4
640 x 480	85Hz	Mode 3
640 x 480	75Hz	Mode 2
640 x 480	72Hz	Mode 1
640 x 480	60Hz	Mode 0



UNIX ID: /dev/fbs/gfxp0

Notes

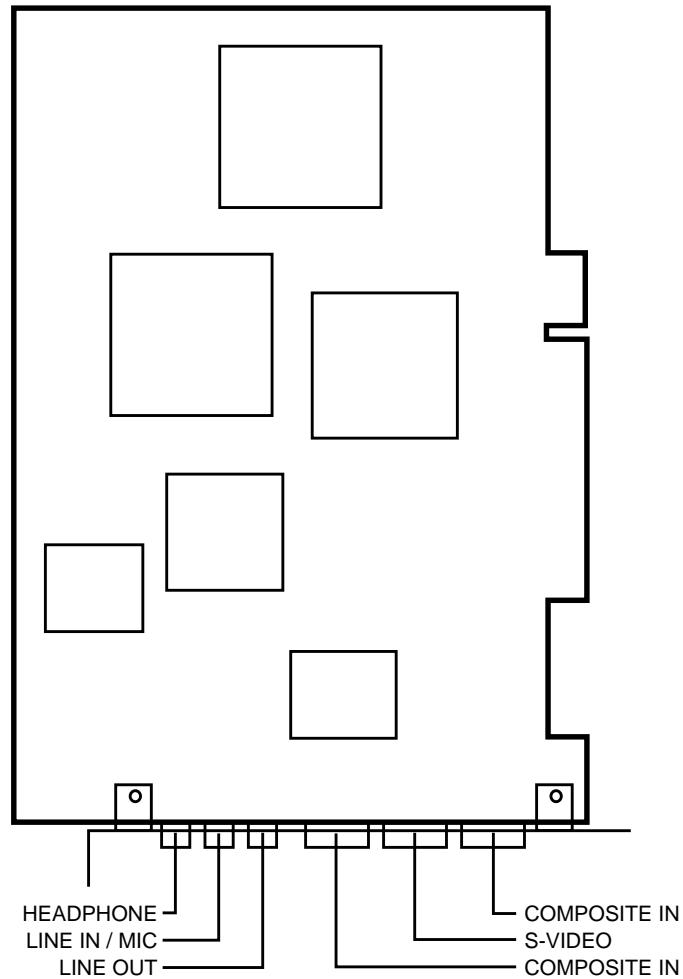
1. The minimum OS is 2.6 with the TSIgfxdrv and TSIgfxOW packages.
2. The TSIpgx package is integrated in Solaris 7 Hardware: 5/99.
3. Testing on Solaris 2.5.1 has not been completed as of 3/26/99.
4. The A20/A25 OBP **banner** command fails with PGX32 <370-3753-03.
5. The E3000-6000 and E3500-E6500 require PGX32 370-3753-04.
6. Option 3668 includes HD15 to DB13W3 Adapter 530-2357 or 530-2917.
7. Resolutions up to 1280 x 1024 default to 8/24-bit mode.
8. Resolutions over 1280 x 1024 default to 8-bit mode.

Reference: *PGX32 PCI Graphics Card Installation Guide*, 805-7770-10.

SunVideo Plus

A16 A20 A21 A22 A23 A27
Options 1086 1087 1088 1089

370-3278
5V 32Bit 33MHz



UNIX ID: /dev/olk0

Notes

1. The minimum operating system is Solaris 2.5.1 Hardware: 4/97.
2. SunVideo Plus 1.0 device drivers are on CD-ROM 704-5994-10.
3. Solaris 2.6 requires SunVideo Plus ≥ 1.1 (CD-ROM 704-5994-11).
4. Solaris 7 requires SunVideo Plus ≥ 1.2 (CD-ROM 704-5994-12).
5. SunVideo Plus uses the SUNWolkpd device driver.
6. SunVideo Plus uses the SUNWolkpu runtime scripts.

Reference: *SunVideoPlus User's Guide*, 805-2682-10.

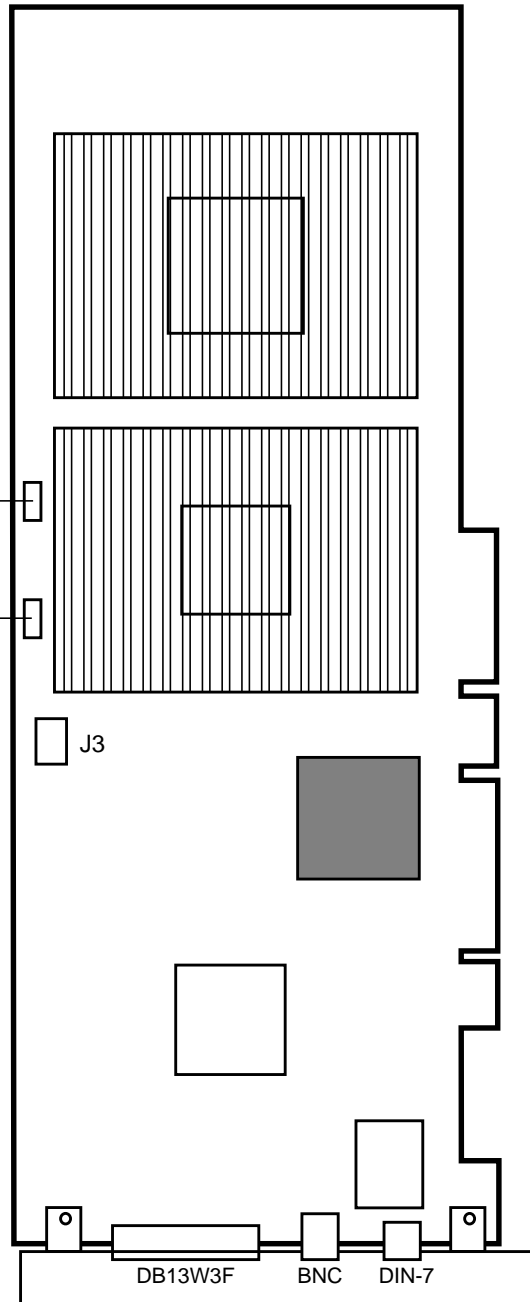
Expert3D
24-Bit Color Frame Buffer
A23 A25 A27 A34
Option 3678
370-3987
 Intense3D Wildcat 4110
 3.3/5V 64Bit 66MHz

J2 Multiview-Out Connector
 J1 Multiview-In Connector

Cable 530-2927 or 530-2989 connects J2 on a Master Expert3D to J1 on a SlaveExpert3D

Screen Resolutions

1920 x 1200	75Hz	
1920 x 1200	70Hz	
1920 x 1080	72Hz	Composite
1792 x 1344	75Hz	VESA
1600 x 1280	76Hz	
1600 x 1200	75Hz	VESA
1600 x 1000	76Hz	Composite
1600 x 1000	66Hz	
1440 x 900	76Hz	Composite
1280 x 1024	112Hz	Stereo
1280 x 1024	85Hz	VESA
1280 x 1024	76Hz	Composite
1280 x 1024	75Hz	VESA
1280 x 1024	67Hz	Composite
1280 x 1024	60Hz	VESA
1280 x 800	76Hz	
1152 x 900	76Hz	Composite
1152 x 900	66Hz	Composite
1024 x 800	84Hz	Composite
1024 x 768	77Hz	
1024 x 768	75Hz	VESA
1024 x 768	70Hz	
1024 x 768	60Hz	Composite
960 x 680	112Hz	Stereo
960 x 680	108Hz	Stereo
768 x 575	50Hz	Interlaced
640 x 480	60Hz	VESA
640 x 480	60Hz	Composite



UNIX ID: /dev/fbs/ifb0

References

1. *fbconfig* and *SUNWifb_config* manual pages.
2. *Expert3D Graphics Card Installation Guide*, 806-1859.



Artisan Technology Group is your source for quality new and certified-used/pre-owned equipment

- FAST SHIPPING AND DELIVERY
- TENS OF THOUSANDS OF IN-STOCK ITEMS
- EQUIPMENT DEMOS
- HUNDREDS OF MANUFACTURERS SUPPORTED
- LEASING/MONTHLY RENTALS
- ITAR CERTIFIED SECURE ASSET SOLUTIONS

SERVICE CENTER REPAIRS

Experienced engineers and technicians on staff at our full-service, in-house repair center

*InstraView*SM REMOTE INSPECTION

Remotely inspect equipment before purchasing with our interactive website at www.instraview.com ↗

WE BUY USED EQUIPMENT

Sell your excess, underutilized, and idle used equipment. We also offer credit for buy-backs and trade-ins. www.artisanng.com/WeBuyEquipment ↗

LOOKING FOR MORE INFORMATION?

Visit us on the web at www.artisanng.com ↗ for more information on price quotations, drivers, technical specifications, manuals, and documentation

Contact us: (888) 88-SOURCE | sales@artisanng.com | www.artisanng.com