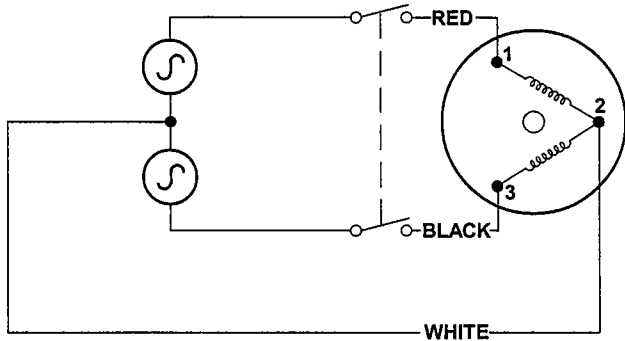
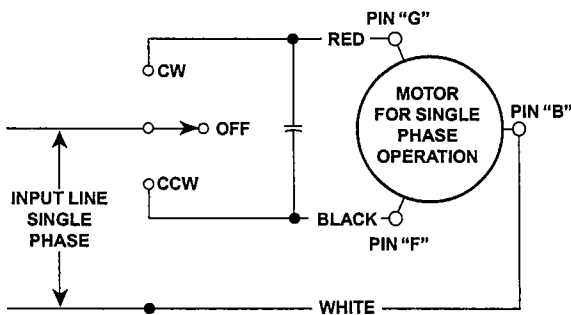


SINGLE-PHASE OPERATION



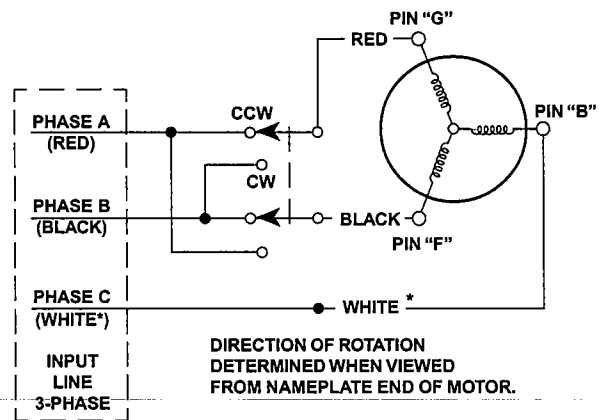
TWO-PHASE OPERATION

CONNECTION DIAGRAM A (2-PHASE MOTORS)



DIRECTION OF ROTATION
DETERMINED WHEN VIEWED
FROM NAMEPLATE END OF MOTOR.

SINGLE-PHASE OPERATION



DIRECTION OF ROTATION
DETERMINED WHEN VIEWED
FROM NAMEPLATE END OF MOTOR.

* — WHITE IS NOT "NEUTRAL".

THREE-PHASE OPERATION

CONNECTION DIAGRAM B (3-PHASE MOTORS)

CONNECTION POINTS

LEAD COLOR	MOTOR CONNECTOR	CABLE CONNECTOR	TERMINAL
RED	G	7	1
BLACK	F	6	3
WHITE	B	2	2

PHASE SHIFTING COMPONENTS

RESISTOR RATING CHART

MOTOR	FREQUENCY (Hz)	120 VOLT OPERATION		240 VOLT OPERATION	
		PART NUMBER	RATING (±5%)	PART NUMBER	RATING (±5%)
SS25	50	201052-002	200 ohm, 5 watt	-	-
SS25	60	201052-001	500 ohm, 5 watt	-	-
SS50	50	201052-007	250 ohm, 25 watt	-	-
SS50	60	201052-006	400 ohm, 25 watt	-	-
SS52	50	-	-	201052-004	1000 ohm, 10 watt
SS52	60	-	-	201052-029	1500 ohm, 10 watt
SS80	50	201052-007	250 ohm, 25 watt	-	-
SS80	60	201052-006	400 ohm, 25 watt	-	-
SS82	50	-	-	201052-004	1000 ohm, 10 watt
SS82	60	-	-	201052-029	1500 ohm, 10 watt
SS91	50/60	201052-031	500 ohm, 25 watt	-	-
SS92	50/60	-	-	201052-032	2000 ohm, 25 watt
SS131	50/60	201052-007	250 ohm, 25 watt	-	-
SS132	50/60	-	-	A201052-030	1000 ohm, 25 watt
SS150B	50/60	201052-007	250 ohm, 25 watt	-	-
SS152B	50/60	-	-	201052-030	1000 ohm, 25 watt
SS250B	50/60	201052-013	150 ohm, 50 watt	-	-
SS252B	50/60	-	-	201052-015	500 ohm, 50 watt
SS400B	50/60	201052-013	150 ohm, 50 watt	-	-
SS402B	50/60	-	-	201052-015	500 ohm, 50 watt
X250	50/60	201052-013	150 ohm, 50 watt	-	-
X252	50/60	-	-	201052-015	500 ohm, 50 watt
XD250	50/60	201052-013	150 ohm, 50 watt	-	-
SS700	50/60	201052-027	150 ohm, 100 watt	-	-
SS702	50/60	-	-	201052-028	500 ohm, 100 watt
X1100	50/60	201052-025	100 ohm, 160 watt	-	-
X1102	50/60	-	-	201052-026	400 ohm, 160 watt
X1500	50	201052-016	65 ohm, 160 watt	-	-
X1500	60	201052-020	55 ohm, 375 watt	-	-
X1502	50/60	-	-	201052-018	250 ohm, 200 watt
SS1800	50/60	201052-022	40 ohm, 375 watt	-	-
SS1802	50/60	-	-	201052-023	130 ohm, 375 watt
TS25	50	201052-003	125 ohm, 10 watt	-	-
TS25	60	201052-002	200 ohm, 5 watt	-	-
TS50	50/60	201052-010	300 ohm, 25 watt	-	-
TS52	50/60	-	-	201052-012	1200 ohm, 25 watt

CAPACITOR RATING CHART

Motor	Frequency (Hz)	120 Volts		220 Volts		240 Volts	
		Part Number	Rating ($\pm 6\%$)	Part Number	Rating ($\pm 6\%$)	Part Number	Rating ($\pm 6\%$)
SS25	50	201053-023	1 μfd , 300 Vac	-	-	-	-
SS25	60	201053-022	0.75 μfd , 330 Vac	-	-	-	-
SS50	50	201053-002	3.3 μfd , 330 Vac	-	-	-	-
SS50	60	201053-025	2.25 μfd , 330 Vac	-	-	-	-
SS52	50	-	-	-	-	201053-008	0.8 μfd , 660 Vac
SS52	60	-	-	-	-	201053-007	0.67 μfd , 660 Vac
SS80	50	201053-002	3.3 μfd , 330 Vac	-	-	-	-
SS80	60	201053-025	2.25 μfd , 330 Vac	-	-	-	-
SS82	50	-	-	-	-	201053-008	0.8 μfd , 660 Vac
SS82	60	-	-	-	-	201053-007	0.67 μfd , 660 Vac
SS91	50	201053-044	3 μfd , 330 Vac	-	-	-	-
SS91	60	201053-041	2.5 μfd , 330 Vac	-	-	-	-
SS92	50	-	-	201053-008	0.8 μfd , 370 Vac	201053-008	0.8 μfd , 370 Vac
SS92	60	-	-	201053-007	0.67 μfd , 370 Vac	201053-007	0.67 μfd , 370 Vac
SS131	50	201053-062	3.75 μfd , 250 Vac	-	-	-	-
SS131	60	201053-044	3 μfd , 250 Vac	-	-	-	-
SS132	50	-	-	201053-023	1 μfd , 370 Vac	201053-023	1 μfd , 370 Vac
SS132	60	-	-	201053-023	0.75 μfd , 370 Vac	201053-063	0.75 μfd , 370 Vac
SS150B	50/60	201053-005	3.75 μfd , 330 Vac	-	-	-	-
SS152B	50	-	-	-	-	201053-034	1.5 μfd , 660 Vac
SS152B	60	-	-	-	-	201053-023	1.0 μfd , 660 Vac
SS241	50	201053-066	10 μfd , 250 Vac	-	-	-	-
SS241	60	201053-037	7.5 μfd , 250 Vac	-	-	-	-
SS242	50	-	-	201053-041	2.5 μfd , 250 Vac	201053-038	2 μfd , 250 Vac
SS242	60	-	-	201053-038	2 μfd , 250 Vac	201053-038	2 μfd , 250 Vac
SS250B	50/60	201053-010	6.5 μfd , 330 Vac	-	-	-	-
SS252B	50	-	-	-	-	201053-030	3.0 μfd , 660 Vac
SS252B	60	-	-	-	-	201053-036	2.0 μfd , 660 Vac
X250	50/60	201053-010	6.5 μfd , 330 Vac	-	-	-	-
X252	50/60	-	-	-	-	201053-012	1.75 μfd , 660 Vac
XD250	50/60	201053-010	6.5 μfd , 330 Vac	-	-	-	-
SS400B	50	201053-033	10 μfd , 330 Vac	-	-	-	-
SS400B	60	201053-010	6.5 μfd , 330 Vac	-	-	-	-
SS402B	50	-	-	-	-	201053-035	2.5 μfd , 660 Vac
SS402B	60	-	-	-	-	201053-012	1.75 μfd , 660 Vac
SS451	50/60	201053-042	14 μfd , 250 Vac	-	-	-	-
SS452	50	-	-	201053-061	4 μfd , 250 Vac	201053-061	4 μfd , 250 Vac
SS452	60	-	-	201053-044	3 μfd , 250 Vac	201053-044	3 μfd , 250 Vac
SS700	50	201053-031	15 μfd , 370 Vac	-	-	-	-
SS700	60	201053-032	12.5 μfd , 330 Vac	-	-	-	-
SS702	50	-	-	-	-	201053-028	4 μfd , 660 Vac
SS702	60	-	-	-	-	201053-030	3 μfd , 660 Vac
X1100	50	201053-027	25 μfd , 330 Vac	-	-	-	-
X1100	60	201053-026	17.5 μfd , 330 Vac	-	-	-	-
X1102	50	-	-	-	-	201053-029	6 μfd , 660 Vac
X1102	60	-	-	-	-	201053-028	-
X1500	50	201053-018	35 μfd , 440 Vac	-	-	-	-
X1500	60	201053-014	30 μfd , 330 Vac	-	-	-	-
X1502	50	-	-	-	-	201053-019	9 μfd , 660 Vac
X1502	60	-	-	-	-	201053-016	8 μfd , 660 Vac
SS1800	50/60	201053-020	60 μfd , 330 Vac	-	-	-	-
SS1802	50/60	-	-	-	-	201053-021	15 μfd , 660 Vac
TS25	50	201053-065	3.0 μfd , 330 Vac	-	-	-	-
TS25	60	201053-064	2.5 μfd , 330 Vac	-	-	-	-
TS50	50/60	201053-005	3.75 μfd , 330 Vac	-	-	-	-
TS52	50/60	-	-	-	-	201053-023	1 μfd , 660 Vac