



## Artisan Technology Group is your source for quality new and certified-used/pre-owned equipment

- FAST SHIPPING AND DELIVERY
- TENS OF THOUSANDS OF IN-STOCK ITEMS
- EQUIPMENT DEMOS
- HUNDREDS OF MANUFACTURERS SUPPORTED
- LEASING/MONTHLY RENTALS
- ITAR CERTIFIED SECURE ASSET SOLUTIONS

### SERVICE CENTER REPAIRS

Experienced engineers and technicians on staff at our full-service, in-house repair center

### *InstraView*<sup>SM</sup> REMOTE INSPECTION

Remotely inspect equipment before purchasing with our interactive website at [www.instraview.com](http://www.instraview.com) ↗

### WE BUY USED EQUIPMENT

Sell your excess, underutilized, and idle used equipment. We also offer credit for buy-backs and trade-ins. [www.artisanng.com/WeBuyEquipment](http://www.artisanng.com/WeBuyEquipment) ↗

### LOOKING FOR MORE INFORMATION?

Visit us on the web at [www.artisanng.com](http://www.artisanng.com) ↗ for more information on price quotations, drivers, technical specifications, manuals, and documentation

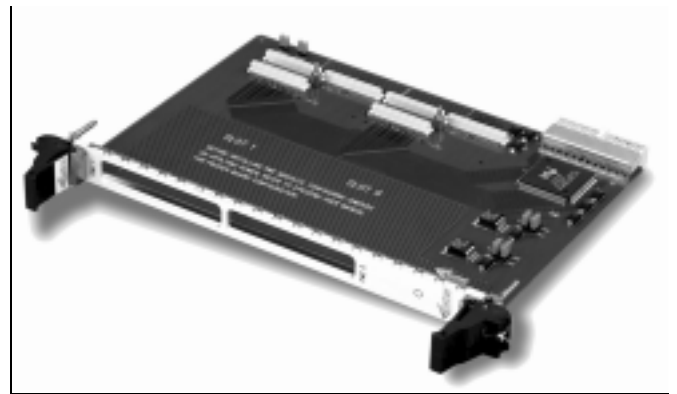
**Contact us:** (888) 88-SOURCE | [sales@artisanng.com](mailto:sales@artisanng.com) | [www.artisanng.com](http://www.artisanng.com)

## CPCI2PMC - CompactPCI® 2-Slot PMC Carrier Board

CPCI2PMC is a two-slot, PMC module carrier board that accepts any 32-bit 33 MHz 5V/3.3V standard length singlewide or doublewide Commercial Off the Shelf (COTS) PMC module that adheres to PCI Local Bus Specification, Revision 2.1, and Draft Standards CMC (IEEE P1386/Draft 2.0) and PMC (IEEE P1386.1/Draft 2.0). The CPCI2PMC optionally supports the mapping of 128 user I/O signals out to the CompactPCI J3/P3 and J4/P4 backplane connectors. The CPCI2PMC's PCI interface is compliant with the PCI bus specification V2.1, and the PCI-to-PCI Bridge function is compliant with the PCI Local Bus "PCI-to-PCI Bridge Architecture Specification", Rev 1.0.

### Application Features:

- ◆ I/O Signals compliant with PICMG 2.3 Revision 1.0
- ◆ +5V and +3.3V signaling voltage on CompactPCI and PMC Buses
- ◆ Two CMC/PMC Slots and associated connectors
- ◆ On-board regulators capable of providing a minimum 2.5 Amps continuous current per slot on the +3.3V voltage

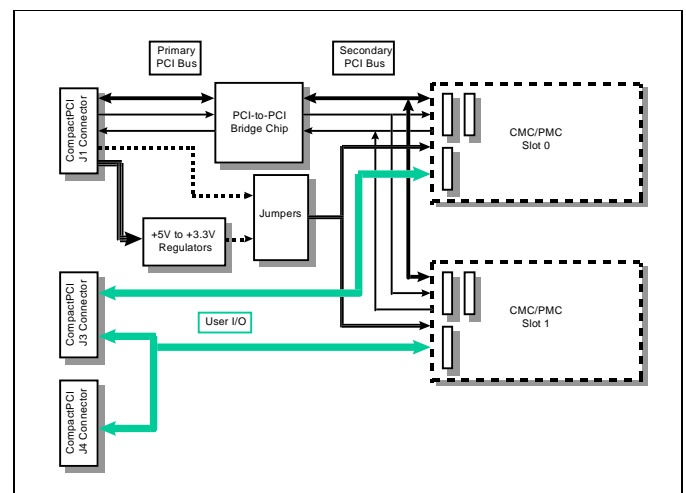


### Specifications:

- ◆ Physical Dimensions: 9.187" x 6.299" (233.35mm x 160mm)
- ◆ Electrical Requirements: (No PMC modules installed)
  - +12Vdc @ 0.0 Amps
  - 12Vdc @ 0.0 Amps (Intel 21152)
  - $P_{wc} = 1.2W @ 33 MHz$  (For each regulator)
  - $P_{wc} = 4.57W$
  - $I_{wc} = 2.27A$
- ◆ Operating Temperature: 0° to 70° C (32° to 158° F)
- ◆ Storage Temperature: -40° to +85° C (-40° to +185° F)
- ◆ Humidity (non-condensing): 0% to 95%
- ◆ MTBF (Mean Time Between Failure): 1,492,348 hours per MIL-HDBK-217F

### Ordering Information:

BHAS-CPCI2PMC: CPCI Slave (2-Slot) PMC Carrier Board





## Artisan Technology Group is your source for quality new and certified-used/pre-owned equipment

- FAST SHIPPING AND DELIVERY
- TENS OF THOUSANDS OF IN-STOCK ITEMS
- EQUIPMENT DEMOS
- HUNDREDS OF MANUFACTURERS SUPPORTED
- LEASING/MONTHLY RENTALS
- ITAR CERTIFIED SECURE ASSET SOLUTIONS

### SERVICE CENTER REPAIRS

Experienced engineers and technicians on staff at our full-service, in-house repair center

### *InstraView*<sup>SM</sup> REMOTE INSPECTION

Remotely inspect equipment before purchasing with our interactive website at [www.instraview.com](http://www.instraview.com) ↗

### WE BUY USED EQUIPMENT

Sell your excess, underutilized, and idle used equipment. We also offer credit for buy-backs and trade-ins. [www.artisanng.com/WeBuyEquipment](http://www.artisanng.com/WeBuyEquipment) ↗

### LOOKING FOR MORE INFORMATION?

Visit us on the web at [www.artisanng.com](http://www.artisanng.com) ↗ for more information on price quotations, drivers, technical specifications, manuals, and documentation

**Contact us:** (888) 88-SOURCE | [sales@artisanng.com](mailto:sales@artisanng.com) | [www.artisanng.com](http://www.artisanng.com)