



Artisan Technology Group is your source for quality new and certified-used/pre-owned equipment

- FAST SHIPPING AND DELIVERY
- TENS OF THOUSANDS OF IN-STOCK ITEMS
- EQUIPMENT DEMOS
- HUNDREDS OF MANUFACTURERS SUPPORTED
- LEASING/MONTHLY RENTALS
- ITAR CERTIFIED SECURE ASSET SOLUTIONS

SERVICE CENTER REPAIRS

Experienced engineers and technicians on staff at our full-service, in-house repair center

*InstraView*SM REMOTE INSPECTION

Remotely inspect equipment before purchasing with our interactive website at www.instraview.com ↗

WE BUY USED EQUIPMENT

Sell your excess, underutilized, and idle used equipment. We also offer credit for buy-backs and trade-ins. www.artisanng.com/WeBuyEquipment ↗

LOOKING FOR MORE INFORMATION?

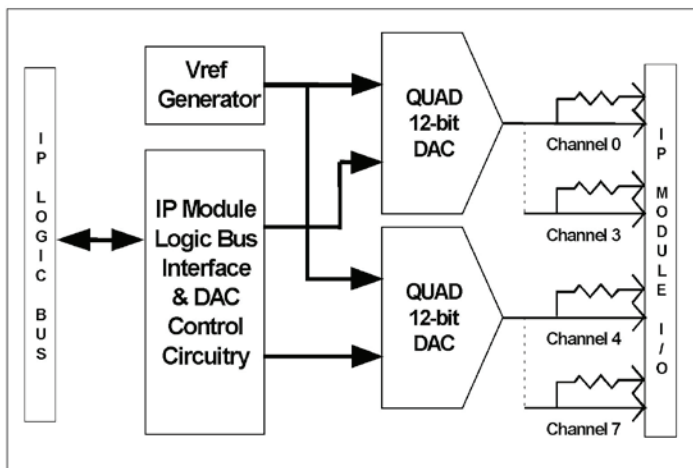
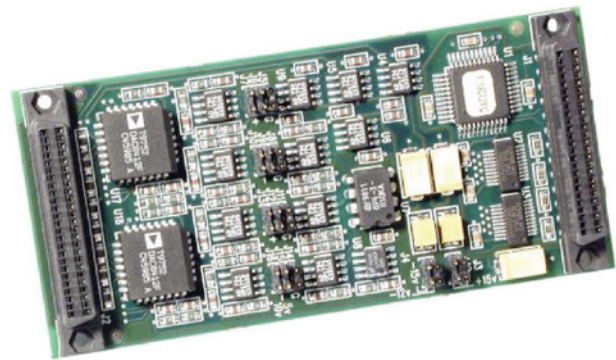
Visit us on the web at www.artisanng.com ↗ for more information on price quotations, drivers, technical specifications, manuals, and documentation

Contact us: (888) 88-SOURCE | sales@artisanng.com | www.artisanng.com

I/O Solutions

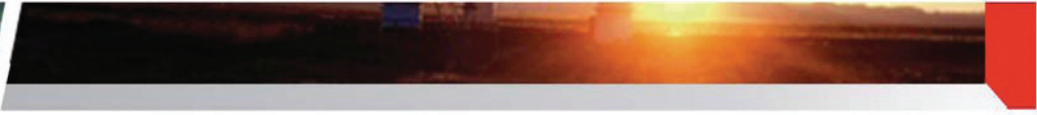
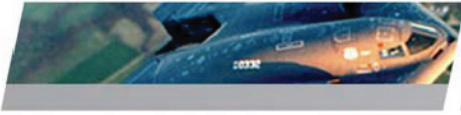
IP Modules – Analog Output DAC128V – 8-Channel, 12-Bit, 8 Voltage Ranges, D-A Converter

This 8-channel, 12-bit, D-A converter has eight voltage ranges that can be selected in two groups of four. This allows the board to provide output range versatility that is not available on other DAC boards currently on the market. Its modular design provides up to 40 channels of highperformance D-A in a single VME slot using the VMESC5 carrier or up to 48 channels in a single PC slot using the ISASC6 carrier. The DAC128V can also be mixed with other IP Modules for a more customized, modular I/O system solution.



Application Features

- Largest number of output ranges possible on an output board.
- Eight different ranges can be selected in 2 groups of 4 providing output range versatility not available on other DAC boards.
- Power option via the I/O connector allows you to use either the carrier power or an external power source.
- Direct and series-terminated outputs reduce signal ringing when using high-capacitance cables.
- Four different buffered reference outputs.
- Hard drive capability without adding an external buffer in most applications.
- No wait-states combined with write- and read-back accesses permit simpler system architectures running at maximum speeds.



Specifications

- Physical Dimensions:
1.800" x 3.900" x 0.303"
(45.72 mm x 99.06 mm x 7.70 mm)
- Weight: 1.056 oz. (29.938 grams)
- Hardware Compatibility: American National Standard for IP Modules (ANSI/VITA 4-1995)
- Mechanical/Electrical Interface: Singlewide IP module
- IP Transfer Types: (memory and interrupt not supported)
 - I/O: 16-bit writes, 16-bit reads; No wait states, hold states supported
 - ID: 8-bit read only; No wait states, hold states supported
- Electrical Requirements:
 - +5 Vdc @ 24 mA (typ., no load)
 - +12 Vdc @ 24 mA (typ., no load)
 - 12 Vdc @ 22 mA (typ., no load)
- Operating Temperature: 0° to +70° C (+32° to +158° F)
- Storage Temperature: -40° to +85° C (-40° to +185° F)
- Humidity (non-condensing): 5% to 95%
- Operating Vibration: 10 G's RMS, 10-55 Hz random
- Operating Shock: 50 G's max.
- Operating Altitude: 10,000 ft.
- MTBF: 2,683,123 hrs. per MIL-HDBK-217F
- Settling Time: 6 μs (typ.)
- Slew Rate: 2.2 V/μs (typ.)
- Jumper Selectable Output Ranges:
 - 0 = +5 V,
 - 0 = +10V,
 - 5 = 0 V,
 - 5 = +5 V,
 - 5 = +10 V,
 - 10 = 0 V,
 - 10 = +5V,
 - 10 = +10 V
- Output Current: ±20 mA (max.) for ±10 V output (running on ±15V)
- Jumper Selectable Analog Power Sources: (external power recommended for 10 V ranges)
 - From Carrier: ±12 V
 - From I/O Connector: ±15 V
- Integral and Differential Nonlinearities: ±1 LSB (max.)
- Straight Binary Coding
- All DACs Power-up to the Mid-Scale Voltage Defined by Code =0x800
- 18W Series-termination Resistors in Auxiliary Outputs
- Typical Total Gain and Offset Error: ±5 LSB, for all ranges over temperature
- 1 LSB
 - = 4.88 mV/Bit for ±10 V F. S.
 - = 2.44 mV/Bit for 0 = +10 V
 - 5 = +5 V
 - 10 = 0 V
 - = 3.66 mV/Bit for -10 = +5 V
 - 5 = +10 V
 - = 1.22 mV/Bit for -5 = 0 V
 - 0 = +5 V

DAC128V PIN ASSIGNMENTS

50	GND	45	-15VIN	40	GND	35	GND	30	GND	25	2DAC08R	20	GND	15	DAC05	10	2DAC03R	5	GND
49	GND	44	GND	39	-5VOUT	34	GND	29	GND	24	DAC08	19	2DAC06R	14	GND	9	DAC03	4	2DAC01R
48	+15VIN	43	GND	38	GND	33	+10VOUT	28	GND	23	GND	18	DAC06	13	2DAC04R	8	GND	3	DAC01
47	GND	42	-10VOUT	37	GND	32	GND	27	GND	22	2DAC07R	17	GND	12	DAC04	7	2DAC02R	2	GND
46	GND	41	GND	36	+5VOUT	31	GND	26	GND	21	DAC07	16	2DAC05R	11	GND	6	DAC02	1	GND



Ordering Information

BHAS-DAC128V: 8 Channel 12-bit Variable DAC IP Board

Contact Information

To find your appropriate sales representative, please visit:

Website: www.cwembedded.com/sales

Email: sales@cwembedded.com

For technical support, please visit:

Website: www.cwembedded.com/support1

Email: support1@cwembedded.com

The information in this document is subject to change without notice and should not be construed as a commitment by Curtiss-Wright Controls Inc., Embedded Computing (CWCEC) group. While reasonable precautions have been taken, CWCEC assumes no responsibility for any errors that may appear in this document. All products shown or mentioned are trademarks or registered trademarks of their respective owners.



Artisan Technology Group is your source for quality new and certified-used/pre-owned equipment

- FAST SHIPPING AND DELIVERY
- TENS OF THOUSANDS OF IN-STOCK ITEMS
- EQUIPMENT DEMOS
- HUNDREDS OF MANUFACTURERS SUPPORTED
- LEASING/MONTHLY RENTALS
- ITAR CERTIFIED SECURE ASSET SOLUTIONS

SERVICE CENTER REPAIRS

Experienced engineers and technicians on staff at our full-service, in-house repair center

*InstraView*SM REMOTE INSPECTION

Remotely inspect equipment before purchasing with our interactive website at www.instraview.com ↗

WE BUY USED EQUIPMENT

Sell your excess, underutilized, and idle used equipment. We also offer credit for buy-backs and trade-ins. www.artisanng.com/WeBuyEquipment ↗

LOOKING FOR MORE INFORMATION?

Visit us on the web at www.artisanng.com ↗ for more information on price quotations, drivers, technical specifications, manuals, and documentation

Contact us: (888) 88-SOURCE | sales@artisanng.com | www.artisanng.com