



Artisan Technology Group is your source for quality new and certified-used/pre-owned equipment

- FAST SHIPPING AND DELIVERY
- TENS OF THOUSANDS OF IN-STOCK ITEMS
- EQUIPMENT DEMOS
- HUNDREDS OF MANUFACTURERS SUPPORTED
- LEASING/MONTHLY RENTALS
- ITAR CERTIFIED SECURE ASSET SOLUTIONS

SERVICE CENTER REPAIRS

Experienced engineers and technicians on staff at our full-service, in-house repair center

*InstraView*SM REMOTE INSPECTION

Remotely inspect equipment before purchasing with our interactive website at www.instraview.com ↗

WE BUY USED EQUIPMENT

Sell your excess, underutilized, and idle used equipment. We also offer credit for buy-backs and trade-ins. www.artisanng.com/WeBuyEquipment ↗

LOOKING FOR MORE INFORMATION?

Visit us on the web at www.artisanng.com ↗ for more information on price quotations, drivers, technical specifications, manuals, and documentation

Contact us: (888) 88-SOURCE | sales@artisanng.com | www.artisanng.com

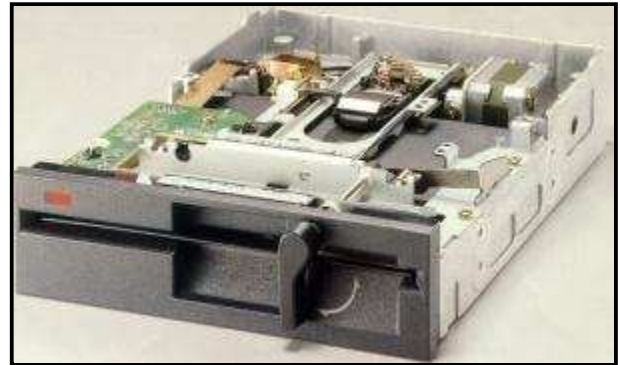
OVERVIEW

Introduction

The FD55FGRxxxx models provide support for 360K disks in a read-only mode.

System requirements:

- IBM or PC compatible system
- 34-pin connector or floppy disk drive controller
- 34-pin disk drive interface cable
- Available 5.25" half-height drive bay
- System BIOS support for 5.25" 1.2MB floppy drives



NOTE: OEM production models are not listed in this knowledge base; you need to contact the manufacturer of the piece of equipment where your floppy drive was originally installed in order to receive information for repair, replacement, and availability.

The models are Operating System independent, and **there are no drivers** to install.

Product Warranty Information

All TEAC models feature a One-Year warranty from the date of purchase.

Registration Information

There is no need to register your product. TEAC provides 100% support for your product. You need, however, to keep your invoice in a safe place. The invoice is your proof of purchase and you will be required to send us a copy for repair and/or replacement.

Parts, Replacement, and Repair Information

Computer stores usually provide a 15 to 30-day warranty in most products. In case of a defective unit, contact your vendor immediately to have it replaced.

If your unit is out of warranty from the vendor, please contact our service department at dssvce@teac.com for repair and/or replacement information, and have the following information ready:

- Model name
- Part number
- Serial number
- Invoice

[How to identify my drive](#)

IDENTIFYING YOUR FLOPPY DRIVE

- All TEAC 5.25" floppy disk drives have the prefix **FD55**, which denotes the size of the disk, 5.25" drive.
- The next characters in the model nomenclature denote the density support of the device:

GFR: High density: 1.2MB

- The next character denotes the series information:

FD55GFR-7149
FD55GFR-7193
FD55GFR-7220

- The series information denotes the color of the bezel:

7149: Dark beige (AT)

7193: Light beige (PS2)

7220: Black

- If your drive is not yet installed, you can identify it by its model label, which is located by the 34-pin connector in the back of the drives. See figure A.



Figure A

- OEM production models are not listed in this knowledge base; you need to contact the manufacturer of the piece of equipment where your floppy drive was originally installed in order to receive information for repair, replacement, and availability.
- If your drive is already installed in your system, then you may find the model number in your invoice. Please keep your invoice in a safe place since this is your proof of purchase and you will be required to send us a copy for repair and/or replacement.

SPECIFICATIONS

The following table provides a description of the hardware specifications for the 5.25" floppy disk drive models FD55GFRxxxx.

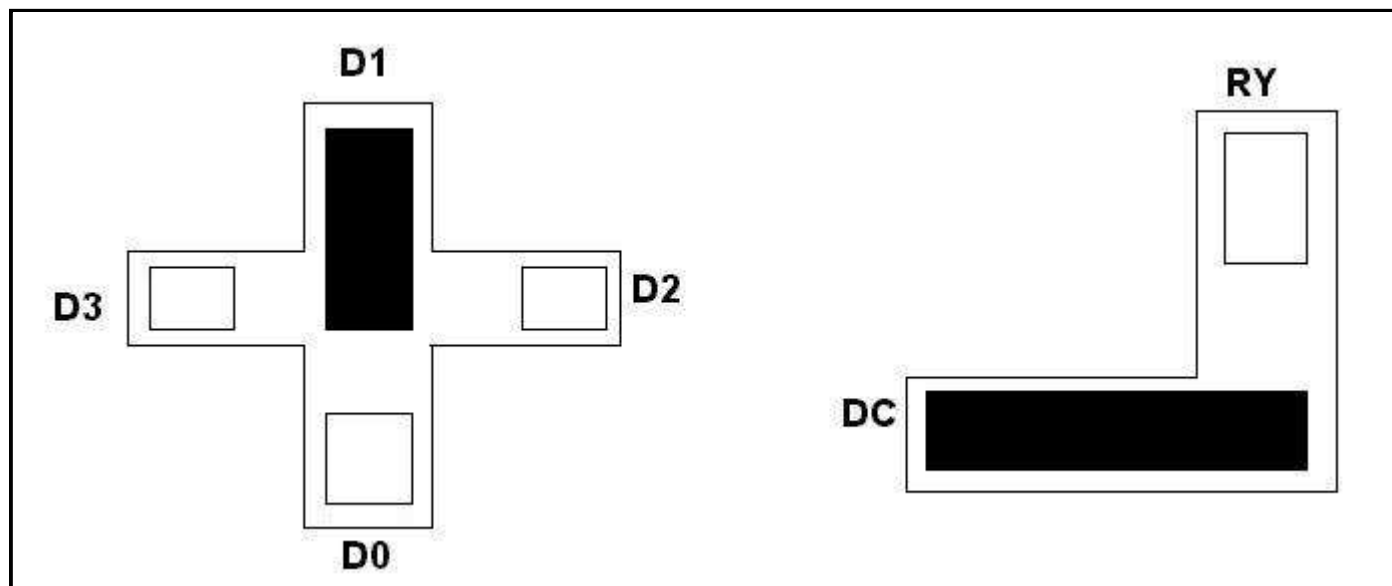
Model Name:	7149	7193	7220
Status:	Current	Current	Current
Front Bezel:	Dark beige	Light beige	Black
Eject Button:	Dark beige	Light beige	Black
LED Indicator:	Green		
Interface Connector:	34-pin connector right-angled header connector		
Operation Mode Write / Read:	1.6MB mode		1MB mode
Disk Used (130mm / 5.25"):	High density, double sided/density		Normal density, double sided
Data Transfer Rate:	500KBps		300KBps
Unformatted Data Capacity:	1.6MB		1MB
Rotational Speed:	360rpm		360rpm
Track Density:	96 tpi		48 tpi
Track to Track Time:	3ms		
Required Power:	+5V single (4.5V ~ 5.5V)		
Input signal Pull-up:	1K Ohm \diamond 5%, unremovable		
Customer Selectable Strap:	D0~D3, U0, U1, Ry/DC, LG, E2, I		
Function Setting at Delivery:	D1, DC		
Dimensions:	5.75" W X 1.63" H X 7.99" D		
Weight:	2.20Lbs		
Mounting:	Vertical/horizontal with spindle motor down		
MTBF:	20,000 POH		
Safety Standards:	UL & CSA		

JUMPER INFORMATION

This diagram provides the default jumper configuration in the FD55GFRxxx series. The jumpers are located in the bottom side of the drive, in the PCBA board. See figure A for details.

NOTE: Insertion of the plastic strap onto the post pin is defined as the on-state of the strap.

The function and description information of the straps is available from our catalog at <http://www.teac.com/DSPD/catalog.htm>



INSTALLATION

Introduction

The quality of the FD55GFRxxxx drives provide a trouble-free operation for your computer system if properly installed. The following information will guide you thoroughly through an easy step-by-step method for a proper installation of your floppy disk drive.

Your FD55GFRxxxx drive must be handled with care. Avoid applying undue force or abnormal strain to the spindle motor, stepping motor or printed circuit board assembly (PCBA).

It is best to hold the drive by the sides, as indicated by the arrows in figure A. Never loosen the fixing screws of the PCBA.

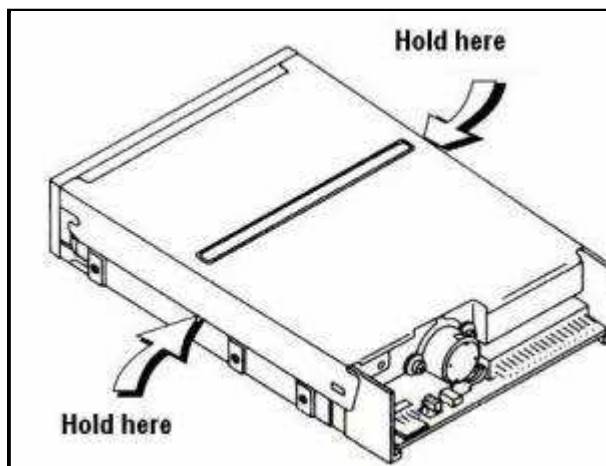


Figure A

Preparing your system

CAUTION: TURN OFF YOUR COMPUTER AND UNPLUG IT FROM THE AC POWER SOURCE BEFORE INSTALLING THE FD55GFRxxxx. FAILURE TO DO SO MAY RESULT IN ELECTRIC SHOCK.

1. Unplug your computer.
2. Detach all peripheral devices from your computer, such as printer, keyboard, mouse, etc.
3. Remove cover from your computer. Refer to your computer manual for this procedure.
4. If you are replacing a current floppy drive, note the cables that are connected to your floppy disk drive, as these same cables will be required to install your TEAC FD55GFRxxxx drive. The floppy interface cable is the flat ribbon type, and the power connector consists of the 4 separate wires attached to a single connector. See figure B:

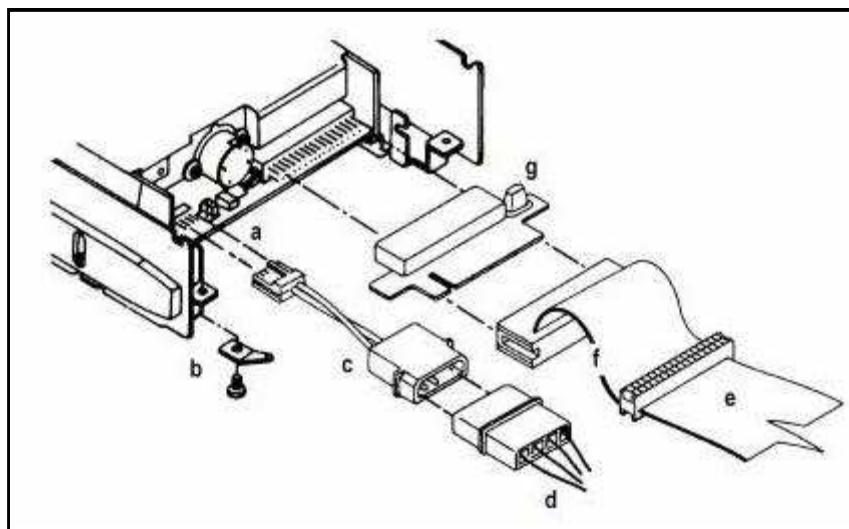


Figure B

- a. Power connector in the drive
- b. Ground
- c. Power connector adapter. Use if required.
- d. Traditional power connector from PC
- e. 34-pin interface cable
- f. Pin # 1 indicator (red or blue stripe)
- g. Edge card adapter. Use if required

Configuring the FD55GFRxxxx Floppy Disk Drive

1. Use a standard 34-pin IBM PC compatible interface cable (figure C) with a twist in the middle to complete the installation.
2. To configure as your A: drive, connect the FD55GFRxxxx floppy disk drive to the **Connector A:** which is the end of the flat ribbon cable as shown in figure C.
3. To configure as your B: drive, connect the FD55GFRxxxx floppy disk drive to the **Connector B:** which is the middle connector. See figure C.
4. Connect the ground cable if your system requires it.

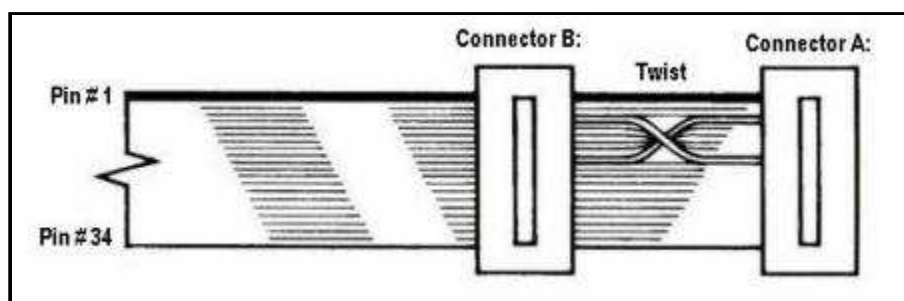


Figure C

Installing the FD55GFRxxxx Floppy Disk Drive

5. Slide the drive into the available 5.25" bay.
6. Locate the system's floppy ribbon cable, and connect the red or blue stripe into pin # 1 in the drive, which is located towards the power connector in the drive. See [figure B](#) for details.

7. Connect the power connector to the drive.
8. Place the screws through each set of holes in the drive.
9. Be sure to make the correct changes to the CMOS BIOS setup after the installation of the drive. Refer to your computer manual for this procedure.

USER'S GUIDE

NOTE: If your Desktop PC System came with a pre-installed TEAC FD55GFRxxx drive, you need to contact your system's manufacturer for any user's guide documentation, drivers/firmware updates, and all support related issues.

End-user Documentation

Whether you are an End-user installing the drive on your PC system, or a Developer integrating the FD55GFRxxx drives on your hardware design application, TEAC America provides the documentation you need. Each of the installation guides is available in PDF format. In order to view and print the document, you need the Adobe Acrobat Reader file, which is a free download.

The reader is available at the following URL: <http://www.adobe.com/prodindex/acrobat/readstep.html>

The user's guide includes information on the proper physical installation of the drive. This is the same manual included when you purchase the TEAC FD55GFRxxx series drives.

The user's guide is available from our Documentation Catalog at <http://www.teac.com/DSPD/catalog.htm>

SYSTEM INTEGRATOR'S RESOURCES

Developers / System Integrators Documentation

TEAC America provides the following documentation for those customers in the United States of America, who are integrating the FD55GFRxxx floppy drives into their hardware application design.

1. The Hardware specification manual includes information such as:

- Physical dimensions
- Reliability information (MTBF)
- Environmental conditions
- Power Interface and connectors
- Hardware interface (Pinouts)
- Electrical characteristics

To obtain this manual at no cost to you, simply request it via E-mail. The manual in PDF format, will be attached in the reply. TEAC America provides this service **only** to those within the United States of America. Please E-mail your request to DSPDTSG@TEAC.COM. Only the electronic version of the manual will be sent out.

2. The Software specification manual includes detailed information on the command set supported by the TEAC drive. This is useful if you are developing software drivers or developing the support code for a specific recording software program.

To obtain this manual at no cost to you, you must sign a **Non-Disclosure Agreement (NDA)** with TEAC America. Once the NDA is received from you and TEAC management approves it, the software specification manual in PDF format will be sent to you via E-mail. TEAC America provides this service **only** to those within the United States of America. Please request the NDA form via E-mail from DSPDTSG@TEAC.COM. Only the electronic version of the manual will be sent out.

3. Safety Agency Certificates may include UL, TUV, CE, CSA, etc.

To obtain the available certificates at no cost to you, simply request them via E-mail. The certificates, in PDF format, will be attached in the reply. TEAC America provides this service **only** to those within the United States of America. Please E-mail your request to DSPDTSG@TEAC.COM. Only the electronic version of the certificates will be sent out.



Artisan Technology Group is your source for quality new and certified-used/pre-owned equipment

- FAST SHIPPING AND DELIVERY
- TENS OF THOUSANDS OF IN-STOCK ITEMS
- EQUIPMENT DEMOS
- HUNDREDS OF MANUFACTURERS SUPPORTED
- LEASING/MONTHLY RENTALS
- ITAR CERTIFIED SECURE ASSET SOLUTIONS

SERVICE CENTER REPAIRS

Experienced engineers and technicians on staff at our full-service, in-house repair center

*InstraView*SM REMOTE INSPECTION

Remotely inspect equipment before purchasing with our interactive website at www.instraview.com ↗

WE BUY USED EQUIPMENT

Sell your excess, underutilized, and idle used equipment. We also offer credit for buy-backs and trade-ins. www.artisanng.com/WeBuyEquipment ↗

LOOKING FOR MORE INFORMATION?

Visit us on the web at www.artisanng.com ↗ for more information on price quotations, drivers, technical specifications, manuals, and documentation

Contact us: (888) 88-SOURCE | sales@artisanng.com | www.artisanng.com