



Artisan Technology Group is your source for quality new and certified-used/pre-owned equipment

- FAST SHIPPING AND DELIVERY
- TENS OF THOUSANDS OF IN-STOCK ITEMS
- EQUIPMENT DEMOS
- HUNDREDS OF MANUFACTURERS SUPPORTED
- LEASING/MONTHLY RENTALS
- ITAR CERTIFIED SECURE ASSET SOLUTIONS

SERVICE CENTER REPAIRS

Experienced engineers and technicians on staff at our full-service, in-house repair center

*InstraView*SM REMOTE INSPECTION

Remotely inspect equipment before purchasing with our interactive website at www.instraview.com ↗

WE BUY USED EQUIPMENT

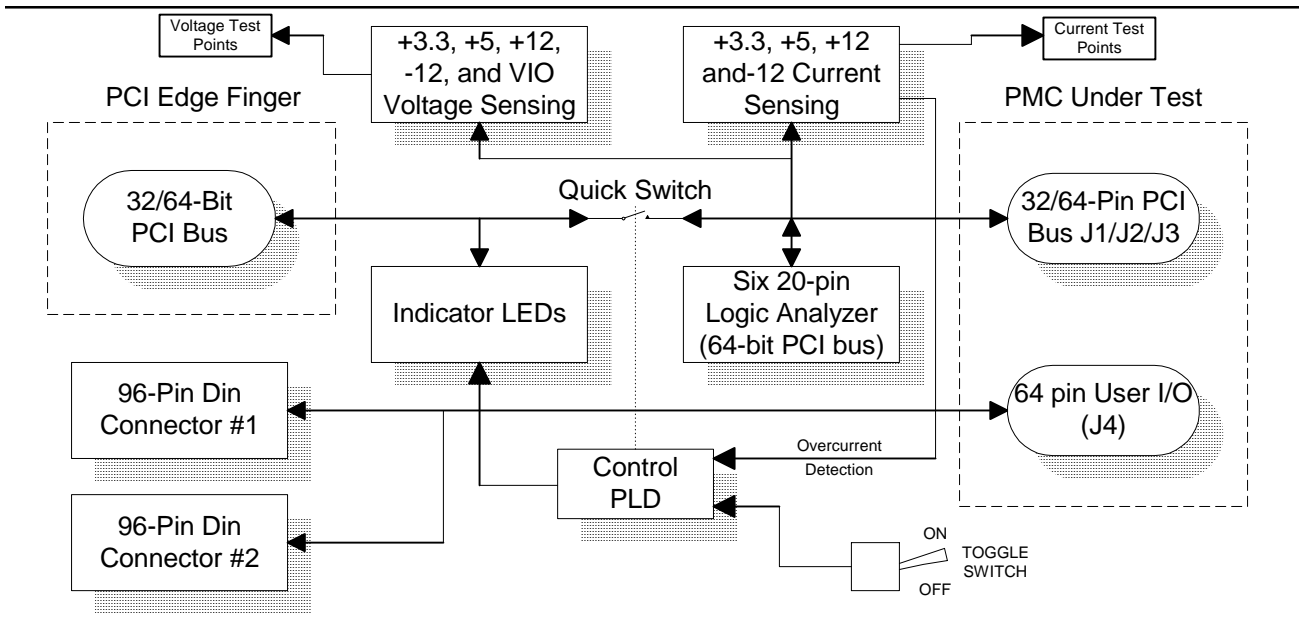
Sell your excess, underutilized, and idle used equipment. We also offer credit for buy-backs and trade-ins. www.artisanng.com/WeBuyEquipment ↗

LOOKING FOR MORE INFORMATION?

Visit us on the web at www.artisanng.com ↗ for more information on price quotations, drivers, technical specifications, manuals, and documentation

Contact us: (888) 88-SOURCE | sales@artisanng.com | www.artisanng.com

PMC to PCI Adapter - For Test



The PMC-to-PCI Adapter for Test is an active extender that accommodates live insertion of one PCI Mezzanine Card (PMC) for performance analysis and testing in a PCI bus environment. When mounted, both sides of the PMC under test are readily accessible. The adapter may be used for both development and production testing. In production applications, use a Technobox PMC Socket Saver (P/N 2283) to preserve the adapter's PMC connectors.

Both 32- and 64-bit PCI bus systems are supported. The adapter's edge-finger connector is universally keyed for 3.3- and 5-volt signaling. Furthermore, the keying pegs have been removed so that PMCs with either 3.3- or 5-volt signaling can be mounted. Since the standard PCI bus does not support the PMC BUSMODE[4...1] signals, a DIP switch located on the adapter is used to set up BUSMODE[4..2] to properly drive the PMC card. A dedicated LED indicates a BUSMODE[1] response by the PMC. A pair of JTAG connectors provides access to on-board PLDs for programming.

For diagnostics, the adapter features 96 analyzer channels (32 control, 64 address). Six 20-pin headers afford attachment of protocol analyzer termination adapters. The headers are compatible with Hewlett Packard analyzers using 20-to-40 pin Termination Adapters. Four spare analyzer channels appear at a separate 4-position, single-row header.

PN4 signals are routed to two 96-pin "inverse" DIN connectors to emulate connection of rear I/O to the 'A' and 'C' rows of the P2 connector on a VMEbus board. The DIN connectors are wired in parallel, allowing simultaneous connection of a device and a piece of

test equipment. To assure signal integrity, the adapter is designed with 4 power planes and clamping diodes for key PCI signals.

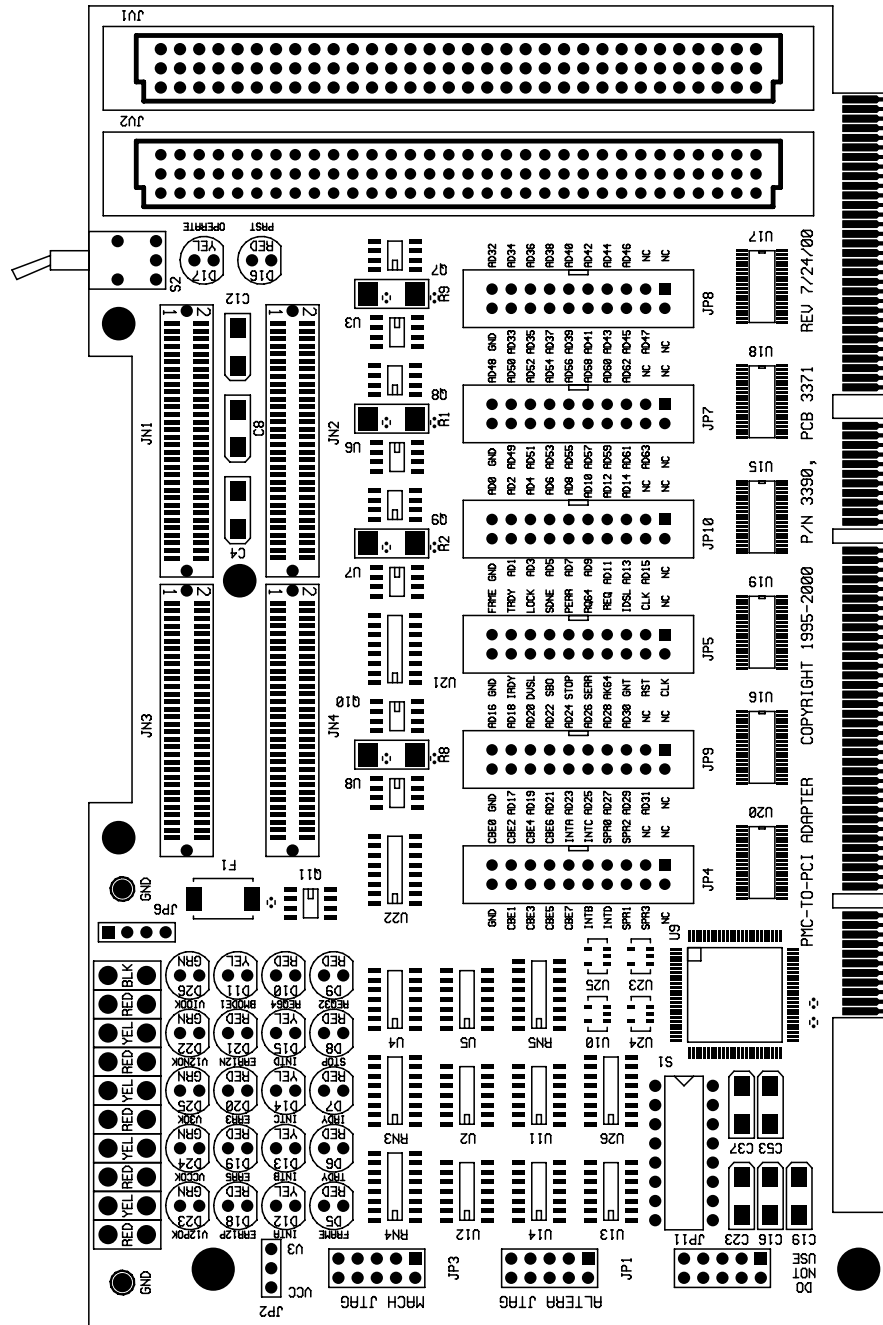
The adapter minimizes wear and tear on the test platform system due to repetitive power cycling and system rebooting. Power to the PMC under test can be toggled using an ON/OFF switch that is mounted on the top edge of the adapter. This eliminates powering the platform system on and off whenever a PMC is installed or removed.

Soft-start sequencing and special circuits, including CMOS-based, zero propagation Quick Switches, protect against voltage and current transients and assure that the PMC is effectively isolated from the PCI bus during power on/off sequencing. These circuits prevent system crashes or hanging up the PCI bus when applying power.

Assorted LEDs provide immediate status of power, current conditions, and activity for key PCI bus signals. The LEDs can be especially helpful when troubleshooting; e.g., when dealing with a hung bus condition.

A bank of 10 test points, situated at the top edge of the adapter, affords access to VIO, +3.3V, +5V, +12V, and -12V power and provides a convenient ground for an oscilloscope probe. Test points are also provided to allow current measurements using a voltmeter. A current-to-voltage converter provides a direct reading of current as a voltage level, with 1 volt corresponding to 1 amp.

PMC to PCI Adapter - For Test



Product Summary

Technobox Part Number:	3390
Typical Power Dissipation:	N/A
Power Supplies Required:	Per PMC under test
PCI Signaling Environment:	3.3V, 5V



Artisan Technology Group is your source for quality new and certified-used/pre-owned equipment

- FAST SHIPPING AND DELIVERY
- TENS OF THOUSANDS OF IN-STOCK ITEMS
- EQUIPMENT DEMOS
- HUNDREDS OF MANUFACTURERS SUPPORTED
- LEASING/MONTHLY RENTALS
- ITAR CERTIFIED SECURE ASSET SOLUTIONS

SERVICE CENTER REPAIRS

Experienced engineers and technicians on staff at our full-service, in-house repair center

*InstraView*SM REMOTE INSPECTION

Remotely inspect equipment before purchasing with our interactive website at www.instraview.com ↗

WE BUY USED EQUIPMENT

Sell your excess, underutilized, and idle used equipment. We also offer credit for buy-backs and trade-ins. www.artisanng.com/WeBuyEquipment ↗

LOOKING FOR MORE INFORMATION?

Visit us on the web at www.artisanng.com ↗ for more information on price quotations, drivers, technical specifications, manuals, and documentation

Contact us: (888) 88-SOURCE | sales@artisanng.com | www.artisanng.com