



Artisan Technology Group is your source for quality new and certified-used/pre-owned equipment

- FAST SHIPPING AND DELIVERY
- TENS OF THOUSANDS OF IN-STOCK ITEMS
- EQUIPMENT DEMOS
- HUNDREDS OF MANUFACTURERS SUPPORTED
- LEASING/MONTHLY RENTALS
- ITAR CERTIFIED SECURE ASSET SOLUTIONS

SERVICE CENTER REPAIRS

Experienced engineers and technicians on staff at our full-service, in-house repair center

*InstraView*SM REMOTE INSPECTION

Remotely inspect equipment before purchasing with our interactive website at www.instraview.com ↗

WE BUY USED EQUIPMENT

Sell your excess, underutilized, and idle used equipment. We also offer credit for buy-backs and trade-ins. www.artisanng.com/WeBuyEquipment ↗

LOOKING FOR MORE INFORMATION?

Visit us on the web at www.artisanng.com ↗ for more information on price quotations, drivers, technical specifications, manuals, and documentation

Contact us: (888) 88-SOURCE | sales@artisanng.com | www.artisanng.com

Digital I/O PMC

Enhanced 32-Channel RS485/422 Differential PMC

The Enhanced 32-channel Reconfigurable RS422/RS485 Digital I/O PMC provides a vehicle for implementing complex user-specific digital designs requiring a differential interface.

This product is a second-generation "enhanced" design derived from the P/N 2674/3353 products, and provides additional features including 64b/66MHz PCI bus support, up to 66 MHz local bus clock, double the local SRAM, and up to 20K Logic Elements compared to 3.7K LEs on the original 10K70 based design. All the features of the 2674/3353 boards have been incorporated into this new product, enabling customers easy migration for existing applications.

The product uses an Altera "Cyclone" FPGA in a 324 Fine-Line FPGA. This package spans the 4K, 12K, and 20K logic element parts. The standard, stocked product uses an EP1C12F324C8 density/speed part.

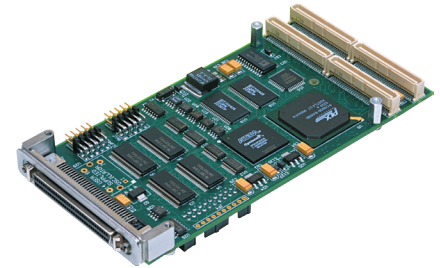
The design features a total of 32 general-purpose RS422/RS485

driven digital I/Os wired to both the front panel and rear PN4 connector (64 signals per connector taking into account 2 signals per differential pair). For each of the 32 channels, the bidirectionality is controlled by an output from the FPGA.

The 68-pin front panel connector is compatible with standard fast/wide differential SCSI cables. Furthermore, an optional Technobox transition panel (e.g., P/N 3044) may be used to break out the differential signals into more convenient individual connectors, such as DB9s.

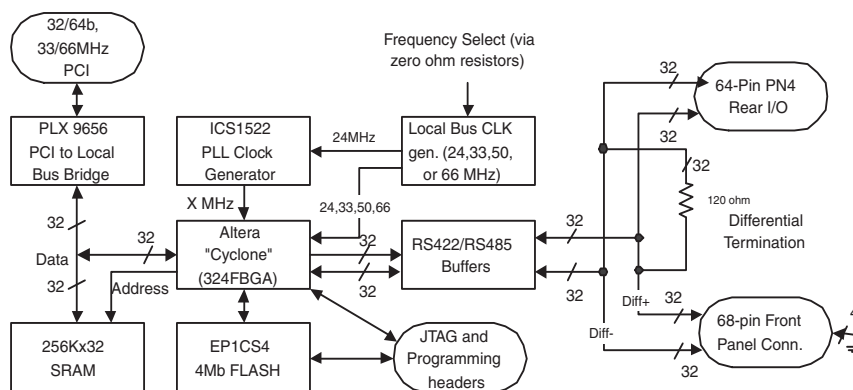
Each of the 32 differential pairs is terminated with a 120 ohm parallel resistance or an R/C termination as shown in the block diagram. Individual resistors are used with each differential pair, allowing for easy removal or value change on a per-channel basis.

With the proper FPGA design the 256K x 32b SRAM provided on the PMC is accessible from the Altera part as well as the PCI interface. The

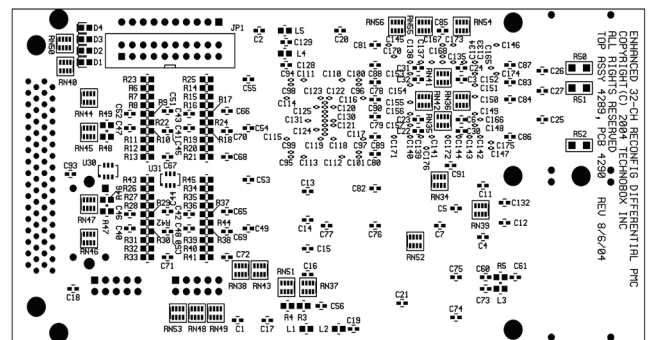
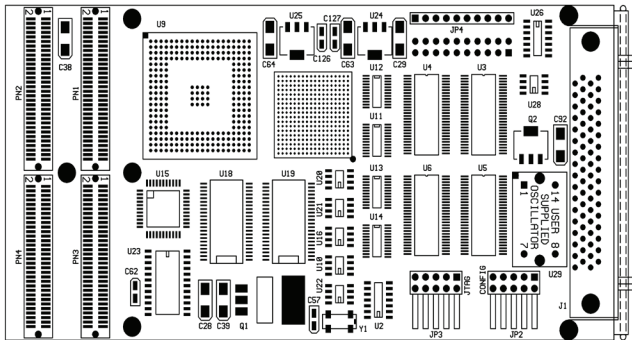


4289
.....

- Provides 32 Channels of General-purpose RS485/422 Digital I/O
- Supports 64 bit / 66 MHz PCI Bus
- 12K Logic Elements (4289 Populated with Altera EP1C12F324C8); Other Densities as Production Build Options
- Reprogrammable by Host, On-board Flash or ByteBlaster Cable
- Local Bus SRAM (256K x 32bit)
- Optional Header for Attaching a Logic Analyzer
- Sample FPGA Design and Host "C" Code



Technobox



32-bit data bus is shared between the ALTERA and the PCI interface devices. The SRAM address is driven by ALTERA outputs. This technique allows a variety of memory architectures for the SRAM: single-port SRAM, dual-port SRAM, one or more FIFOs, and even linked list structures for more complex applications.

For application timing, a local bus clock and a PLL generated clock are inputs to the ALTERA FPGA. The PLX local bus clock is selectable as 24, 33, 50, or 66 MHz using resistor-

jumpers. Any frequency with better than 0.1% accuracy can be generated by the PLL as programmed from the host processor.

On power up, the Altera FPGA configuration cells are automatically loaded from a serial EPROM located on the PMC. The user may override this default configuration by dynamically reprogramming the FPGA from the host processor, or by in-circuit burning of the re-programmable FLASH EP1CS4 chip with the user's application. Also, two 10-pin headers

are provided for development with ByteBlaster cables. One is for the JTAG connection and the other is for programming the EP1CS4.

An example implementation of a digital I/O board with dual-port access to the SRAM and corresponding "C" source code running in the host is provided with the product. QUARTUS development software is available directly from Altera.

For operating system information, call Technobox.

Specifications

- Temperature (Operating): 0° to 55° C
- Temperature (Storage): -40° to +85° C
- Altitude: Not specified or characterized (Typical similar equipment is at 15,000 ft.)
- Humidity (Operating/Storage): 5% to 90% non-condensing
- Vibration: Not specified or Characterized
- MTBF: 120K Hours (Gb, 20°)
- Typical Power Dissipation: 250 ma @ 5 Volts
- Power Supplies Required: +5V
- PCI Environment: 5V or 3.3V; 32/64 bits, 33/66 MHz

Ordering Information

Part Number: 4289 (w/EP1C12F324C8)



Copyright © Technobox 2004 DS4289-A40006

Technobox, Inc.
 140 Mount Holly Bypass
 Unit 1
 Lumberton, NJ 08048-1114
 Tel: 609-267-8988 • Fax: 609-261-1011
 www.technobox.com



Artisan Technology Group is your source for quality new and certified-used/pre-owned equipment

- FAST SHIPPING AND DELIVERY
- TENS OF THOUSANDS OF IN-STOCK ITEMS
- EQUIPMENT DEMOS
- HUNDREDS OF MANUFACTURERS SUPPORTED
- LEASING/MONTHLY RENTALS
- ITAR CERTIFIED SECURE ASSET SOLUTIONS

SERVICE CENTER REPAIRS

Experienced engineers and technicians on staff at our full-service, in-house repair center

*InstraView*SM REMOTE INSPECTION

Remotely inspect equipment before purchasing with our interactive website at www.instraview.com ↗

WE BUY USED EQUIPMENT

Sell your excess, underutilized, and idle used equipment. We also offer credit for buy-backs and trade-ins. www.artisanng.com/WeBuyEquipment ↗

LOOKING FOR MORE INFORMATION?

Visit us on the web at www.artisanng.com ↗ for more information on price quotations, drivers, technical specifications, manuals, and documentation

Contact us: (888) 88-SOURCE | sales@artisanng.com | www.artisanng.com