



Artisan Technology Group is your source for quality new and certified-used/pre-owned equipment

- FAST SHIPPING AND DELIVERY
- TENS OF THOUSANDS OF IN-STOCK ITEMS
- EQUIPMENT DEMOS
- HUNDREDS OF MANUFACTURERS SUPPORTED
- LEASING/MONTHLY RENTALS
- ITAR CERTIFIED SECURE ASSET SOLUTIONS

SERVICE CENTER REPAIRS

Experienced engineers and technicians on staff at our full-service, in-house repair center

*InstraView*SM REMOTE INSPECTION

Remotely inspect equipment before purchasing with our interactive website at www.instraview.com ↗

WE BUY USED EQUIPMENT

Sell your excess, underutilized, and idle used equipment. We also offer credit for buy-backs and trade-ins. www.artisanng.com/WeBuyEquipment ↗

LOOKING FOR MORE INFORMATION?

Visit us on the web at www.artisanng.com ↗ for more information on price quotations, drivers, technical specifications, manuals, and documentation

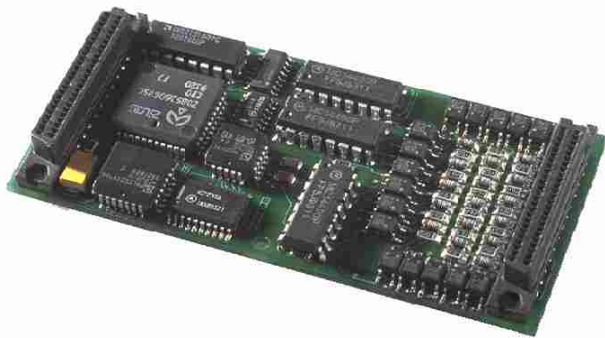
Contact us: (888) 88-SOURCE | sales@artisanng.com | www.artisanng.com

TIP600 16 Interrupt generating Digital Inputs

Application Information

The TIP600 is an IndustryPack® compatible module from TEWS DATENTECHNIK GmbH.

The TIP600 has 16 digital inputs galvanically isolated by opto-coupler.



The individual inputs are potential free in relation to each other. A high performance input circuit ensures a defined switching point and polarization protection against confusing the pole. All inputs have an electronic debounce circuit with a freely programmable debounce time.

All inputs can generate an interrupt. Signal edge handling is programmable.

For systems with particularly fast reaction, each input can be assigned its own interrupt vector.

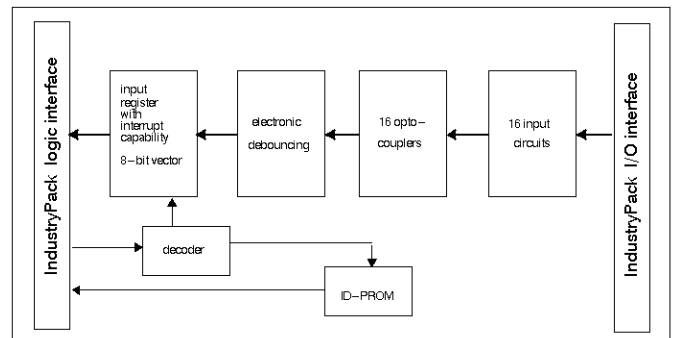
For First-Time-Buyers the engineering kit TIP600-EK is recommended. The engineering kit includes TIP600-DOC, schematics, data sheets, a 50 pin terminal block and a 50 pin flat cable.

The driver software TIP600-SW-x2 provides functions to configure the TIP600, read the input status and connect software events to input state changes.

TEWS DATENTECHNIK offers a wide range of connection cables and transition modules. Please contact your local sales representative.

Technical Information

- Interface according to IndustryPack specification
- Identification-PROM supports autoconfiguration
- Single size IndustryPack
- 16 interrupt generating digital inputs
- 24 V signal voltage for inputs, other voltages on request
- Opto-couplers for galvanic isolation of input to computer system
- All inputs isolated against each other
- All inputs protected against confusing the pole
- All inputs have an electronic debounce circuit. Debounce time is freely programmable



Order Information

- | | |
|---------------------|--|
| TIP600-10 | 16 interrupt generating digital inputs |
| TIP600-DOC | User Manual |
| TIP600-EK | Engineering kit, includes TIP600-DOC |
| TIP600-SW-12 | OS-9 driver support |
| TIP600-SW-22 | VMEexec driver support |
| TIP600-SW-32 | pSOS+ driver support |
| TIP600-SW-42 | VxWorks driver support |



Artisan Technology Group is your source for quality new and certified-used/pre-owned equipment

- FAST SHIPPING AND DELIVERY
- TENS OF THOUSANDS OF IN-STOCK ITEMS
- EQUIPMENT DEMOS
- HUNDREDS OF MANUFACTURERS SUPPORTED
- LEASING/MONTHLY RENTALS
- ITAR CERTIFIED SECURE ASSET SOLUTIONS

SERVICE CENTER REPAIRS

Experienced engineers and technicians on staff at our full-service, in-house repair center

*InstraView*SM REMOTE INSPECTION

Remotely inspect equipment before purchasing with our interactive website at www.instraview.com ↗

WE BUY USED EQUIPMENT

Sell your excess, underutilized, and idle used equipment. We also offer credit for buy-backs and trade-ins. www.artisanng.com/WeBuyEquipment ↗

LOOKING FOR MORE INFORMATION?

Visit us on the web at www.artisanng.com ↗ for more information on price quotations, drivers, technical specifications, manuals, and documentation

Contact us: (888) 88-SOURCE | sales@artisanng.com | www.artisanng.com