



Artisan Scientific

QUALITY INSTRUMENTATION ... GUARANTEED

Looking for more information?

Visit us on the web at <http://www.artisan-scientific.com> for more information:

- Price Quotations
- Drivers
- Technical Specifications, Manuals and Documentation

Artisan Scientific is Your Source for Quality New and Certified-Used/Pre-owned Equipment

- Tens of Thousands of In-Stock Items
- Hundreds of Manufacturers Supported
- Fast Shipping and Delivery
- Leasing / Monthly Rentals
- Equipment Demos
- Consignment

Service Center Repairs

Experienced Engineers and Technicians on staff in our State-of-the-art Full-Service In-House Service Center Facility

InstraView™ Remote Inspection

Remotely inspect equipment before purchasing with our Innovative InstraView™ website at <http://www.instraview.com>

We buy used equipment! We also offer credit for Buy-Backs and Trade-Ins

Sell your excess, underutilized, and idle used equipment. Contact one of our Customer Service Representatives today!

Talk to a live person: 888-88-SOURCE (888-887-6872) | Contact us by email: sales@artisan-scientific.com | Visit our website: <http://www.artisan-scientific.com>

TIP830 8 Channel 12 (16) bit Simultaneous Sampling A/D

Application Information

The TIP830 family are IndustryPack® compatible modules with 8 independent channels of high resolution 12 bit or 16 bit analog-to-digital conversion. Each channel consists of a Sample and Hold and a 12 bit or 16 bit A/D converter. The maximum time for sample and convert is 25µs for all channels. The full-scale input range is +/-10V.

A start-of-conversion is initiated by software command or via the trigger I/O pin. All eight channels of the TIP830 sample and convert simultaneous.

By connecting the trigger I/O pins of several modules it is possible to expand the simultaneous sample and convert feature to several TIP830 modules.

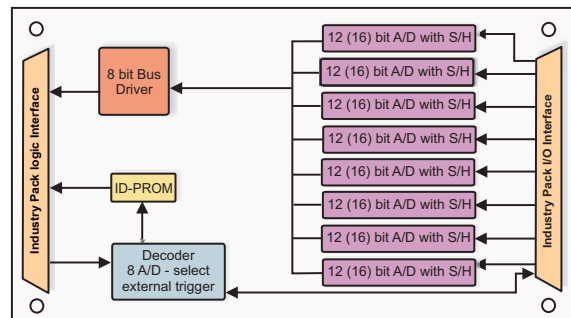


For First-Time-Buyers the engineering documentation TIP830-ED is recommended. The engineering documentation includes TIP830-DOC, schematics and data sheets.

Driver support (TIP830-SW-xx) is available for different operating systems.

Technical Information

- Interface according to IndustryPack specification
- Identification-PROM supports auto-configuration
- Single Size IndustryPack
- Eight 12 bit (16 bit) A/D converter (ADS7806/7)
 - Complete 12 bit (16 bit) sampling A/D converter with internal reference
 - +/- 10 V input, impedance 45 KW
 - Integral linearity error: +/- 0.9LSB (+/- 3LSB)
 - Differential linearity error: +/- 0.9LSB (+3/-2LSB)
 - No missing codes: 12 bits (15 bits)
 - 25 µs maximum for sample and convert
- Factory calibration of gain and offset for each channel, correction parameters stored in ID-PROM
- Sample and convert simultaneous for all 8 channels, expandable to other TIP830 by external trigger I/O pin



Order Information

- | | |
|---------------------|--|
| TIP830-10 | Eight 12 bit A/D channels, single-ended simultaneous sampling and converting |
| TIP830-20 | Eight 16 bit A/D channels, single-ended simultaneous sampling and converting |
| TIP830-DOC | User Documentation |
| TIP830-ED | Engineering Documentation, includes TIP830-DOC |
| TIP830-SW-12 | OS-9 Software Support |
| TIP830-SW-32 | pSOS Software Support |
| TIP830-SW-42 | VxWorks Software Support |
| TIP830-SW-62 | Windows NT 4.0 Software Support |
| TIP830-SW-72 | LynxOS Software Support |
| TIP830-SW-82 | LiNux Software Support |
| TIP830-SW-92 | QNX 4 Software Support |
| TIP830-SW-95 | QNX 6 Software Support |



Artisan Scientific

QUALITY INSTRUMENTATION ... GUARANTEED

Looking for more information?

Visit us on the web at <http://www.artisan-scientific.com> for more information:

- Price Quotations
- Drivers
- Technical Specifications, Manuals and Documentation

Artisan Scientific is Your Source for Quality New and Certified-Used/Pre-owned Equipment

- Tens of Thousands of In-Stock Items
- Hundreds of Manufacturers Supported
- Fast Shipping and Delivery
- Leasing / Monthly Rentals
- Equipment Demos
- Consignment

Service Center Repairs

Experienced Engineers and Technicians on staff in our State-of-the-art Full-Service In-House Service Center Facility

InstraView™ Remote Inspection

Remotely inspect equipment before purchasing with our Innovative InstraView™ website at <http://www.instraview.com>

We buy used equipment! We also offer credit for Buy-Backs and Trade-Ins

Sell your excess, underutilized, and idle used equipment. Contact one of our Customer Service Representatives today!

Talk to a live person: 888-88-SOURCE (888-887-6872) | Contact us by email: sales@artisan-scientific.com | Visit our website: <http://www.artisan-scientific.com>