



Artisan Technology Group is your source for quality new and certified-used/pre-owned equipment

- FAST SHIPPING AND DELIVERY
- TENS OF THOUSANDS OF IN-STOCK ITEMS
- EQUIPMENT DEMOS
- HUNDREDS OF MANUFACTURERS SUPPORTED
- LEASING/MONTHLY RENTALS
- ITAR CERTIFIED SECURE ASSET SOLUTIONS

SERVICE CENTER REPAIRS

Experienced engineers and technicians on staff at our full-service, in-house repair center

*InstraView*SM REMOTE INSPECTION

Remotely inspect equipment before purchasing with our interactive website at www.instraview.com ↗

WE BUY USED EQUIPMENT

Sell your excess, underutilized, and idle used equipment. We also offer credit for buy-backs and trade-ins. www.artisanng.com/WeBuyEquipment ↗

LOOKING FOR MORE INFORMATION?

Visit us on the web at www.artisanng.com ↗ for more information on price quotations, drivers, technical specifications, manuals, and documentation

Contact us: (888) 88-SOURCE | sales@artisanng.com | www.artisanng.com

TIP866 8 Channel Serial Interface RS232 / TTL / RS422

Application Information

The TIP866 is an IndustryPack® compatible module providing eight channels of high performance asynchronous serial interface. Three different modules are available. The TIP866-10x provides RS232 interface, the TIP866-11x offers TTL level interface and the TIP866-20x provides RS422 interface. Each channel has a 64 byte transmit FIFO and a 64 byte receive FIFO to significantly reduce the overhead required to provide data to and get data from the transmitters and receivers. The FIFO trigger levels are programmable.

The TIP866-10x and -11x support Rx/D, Tx/D, RTS, CTS and GND for each of the eight RS232 channels. The TIP866-20x supports Rx/D+/-, Tx/D+/- and GND for each of the eight RS422 channels.

The baud rate is individually programmable up to 115.2 kbaud for the TIP866-10x and up to 460.8 kbaud for the TIP866-11x and -20x. The TIP866-10x and -20x use ESD protected transceivers (up to +/-15KV according to IEC 1000-4-2).

The module versions TIP866-xx-ET are designed for the extended operating temperature from -40°C to +85°C.

The Transition Module TIP866-TM-10x provides 8 DB25 connectors mounted in a 6U 8TE front panel. The TIP866-TM-20x provides 8 RJ45 connectors mounted in a 6U 4TE front panel. The TIP866-TM-30x provides 16 4-pin RJ connectors mounted in a 6U 4TE front panel.

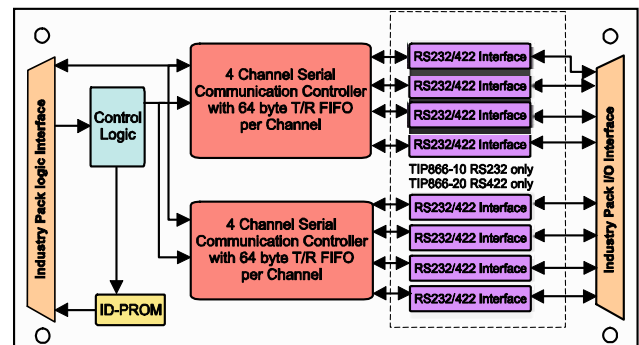


For First-Time-Buyers the Engineering Documentation TIP866-ED is recommended. The Engineering Documentation includes TIP866-DOC, schematics and data sheets.

Serial line driver software TIP866-SW-xx is available for different operating systems.

Technical Information

- Interface according to IndustryPack specification
- Identification-PROM supports auto-configuration
- Single Size IndustryPack
- 8 channels asynchronous serial interface
- Support of Rx/D, Tx/D, RTS, CTS, GND per channel for TIP866-10x and -11x; support of RXD+/-, TXD+/- and GND for TIP866-20x
- Programmable baud rates up to 115.2 Kbaud for TIP866-10x and up to 460.8 Kbaud for TIP866-11x and -20x
- 64 byte transmit FIFO per channel
- 64 byte receive FIFO per channel
- ESD protected RS232 and RS422 interface (up to +/-15KV according to IEC 1000-4-2)
- Operating temperature:
 - 0°C to +70°C (TIP866-10x,-11x,-20x)
 - -40°C to +85°C (TIP866-xx-ET)



Order Information

RoHS Compliant

TIP866-10R	8 Channel Serial RS232 Interface
TIP866-11R	8 Channel Serial TTL Interface
TIP866-20R	8 Channel Serial RS422 Interface
TIP866-10R-ET	8 Channel Serial RS232 Interface for operating temperature -40° to +85°C
TIP866-11R-ET	8 Channel Serial TTL Interface for operating temperature -40° to +85°C
TIP866-20R-ET	8 Channel Serial RS422 Interface for operating temperature -40° to +85°C
TIP866-TM-10R	Transition Module for TIP866, provides 8 DB25 Connectors in front panel
TIP866-TM-20R	Transition Module for TIP866, provides 8 RJ45 connectors in front panel
TIP866-TM-30R	Transition Module for TIP866, provides 16 4-pin RJ connectors in front panel
TIP866-IO-10R	Mounting Rail I/O Module with 8 DB9

None RoHS Compliant

TIP866-10	None RoHS compliant version of TIP866-10R
TIP866-11	None RoHS compliant version of TIP866-11R
TIP866-20	None RoHS compliant version of TIP866-20R
TIP866-10-ET	None RoHS compliant version of TIP866-10R-ET
TIP866-11-ET	None RoHS compliant version of TIP866-11R-ET
TIP866-20-ET	None RoHS compliant version of TIP866-20R-ET
TIP866-TM-10	None RoHS compliant version of TIP866-TM-10R
TIP866-TM-20	None RoHS compliant version of TIP866-TM-20R
TIP866-TM-30	None RoHS compliant version of TIP866-TM-30R
TIP866-IO-10	None RoHS compliant version of TIP866-IO-10R

Documentation

TIP866-DOC	User Manual TIP866
TIP866-TM-10-DOC	User Manual TIP866-TM-1x
TIP866-TM-20-DOC	User Manual TIP866-TM-2x
TIP866-TM-30-DOC	User Manual TIP866-TM-3x
TIP866-IO-10-DOC	User Manual TIP866-IO-1x
TIP866-ED	Engineering Documentation, includes TIP866-DOC

Software

TIP866-SW-25	Integrity Software Support
TIP866-SW-42	VxWorks Software Support (Legacy and VxBus-Enabled Software Support)
TIP866-SW-65	Windows XP/XPE/2000 Software Support
TIP866-SW-72	LynxOS Software Support
TIP866-SW-82	LINUX Software Support
TIP866-SW-95	QNX 6 Software Support

For other operating systems please contact TEWS.



Artisan Technology Group is your source for quality new and certified-used/pre-owned equipment

- FAST SHIPPING AND DELIVERY
- TENS OF THOUSANDS OF IN-STOCK ITEMS
- EQUIPMENT DEMOS
- HUNDREDS OF MANUFACTURERS SUPPORTED
- LEASING/MONTHLY RENTALS
- ITAR CERTIFIED SECURE ASSET SOLUTIONS

SERVICE CENTER REPAIRS

Experienced engineers and technicians on staff at our full-service, in-house repair center

*InstraView*SM REMOTE INSPECTION

Remotely inspect equipment before purchasing with our interactive website at www.instraview.com ↗

WE BUY USED EQUIPMENT

Sell your excess, underutilized, and idle used equipment. We also offer credit for buy-backs and trade-ins. www.artisanng.com/WeBuyEquipment ↗

LOOKING FOR MORE INFORMATION?

Visit us on the web at www.artisanng.com ↗ for more information on price quotations, drivers, technical specifications, manuals, and documentation

Contact us: (888) 88-SOURCE | sales@artisanng.com | www.artisanng.com