



Artisan Technology Group is your source for quality new and certified-used/pre-owned equipment

- FAST SHIPPING AND DELIVERY
- TENS OF THOUSANDS OF IN-STOCK ITEMS
- EQUIPMENT DEMOS
- HUNDREDS OF MANUFACTURERS SUPPORTED
- LEASING/MONTHLY RENTALS
- ITAR CERTIFIED SECURE ASSET SOLUTIONS

SERVICE CENTER REPAIRS

Experienced engineers and technicians on staff at our full-service, in-house repair center

*InstraView*SM REMOTE INSPECTION

Remotely inspect equipment before purchasing with our interactive website at www.instraview.com ↗

WE BUY USED EQUIPMENT

Sell your excess, underutilized, and idle used equipment. We also offer credit for buy-backs and trade-ins. www.artisanng.com/WeBuyEquipment ↗

LOOKING FOR MORE INFORMATION?

Visit us on the web at www.artisanng.com ↗ for more information on price quotations, drivers, technical specifications, manuals, and documentation

Contact us: (888) 88-SOURCE | sales@artisanng.com | www.artisanng.com

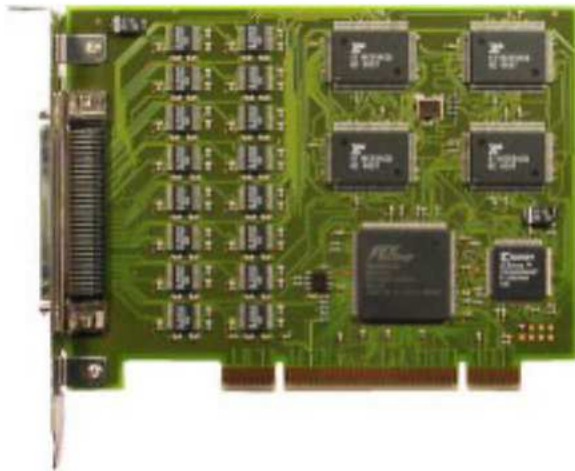
TPCI868 16 Channel Asynchronous Serial Interface

Application Information

The TPCI868 is a standard 33 MHz 32 bit PCI module and provides 16 channels of asynchronous RS232 serial interface. The TPCI868-10 requires 3.3V PCI power supply, but it can operate with 3.3V or 5.0V PCI signaling voltage for I/O.

The module uses a 14.7456 MHz crystal oscillator which allows baud rates up to 921.6 kbaud. All 16 serial channels can generate interrupts on the PCI bus. The interrupt status information can be accessed via the 16 bit wide interrupt status register.

For the serial interface the signals TxD, RxD, RTS#, CTS# and GND are available on the HD68 front panel connector.

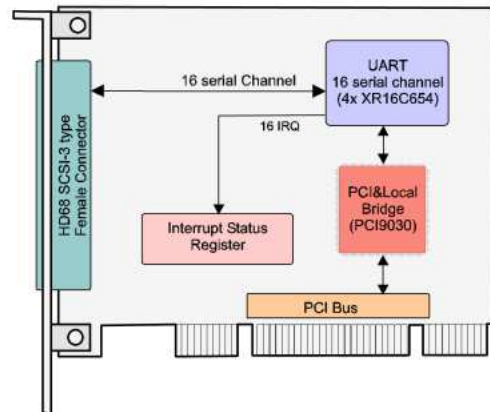


For First-Time-Buyers the Engineering Documentation TPMC861-ED is recommended. The Engineering Documentation includes TPCI868-DOC, schematics and data sheets of the TPCI868.

Driver support (TPCI868-SW-xx) is available for different operating systems.

Technical Information

- PCI Card Interface
- PCI 2.2 compliant interface
- Size: 102 mm x 135 mm
- 16 channel asynchronous RS232 serial interface
- PCI signaling voltage for I/O 3.3V or 5.0V
- Support of TxD, RxD, RTS#, CTS# and GND per channel
- Baud rates up to 921.6 kbaud
- HD68 SCSI-3 type female connector



Order Information

- | | |
|----------------------|---|
| TPCI868-10 | 16 Channel Asynchronous Serial Interface |
| TPCI868-DOC | User Manual |
| TPCI868-ED | Engineering Documentation, includes TPMC868-DOC |
| TA304-10 | Cable Kit for modules with HD68 connector |
| TPCI868-SW-12 | OS-9 Software Support |
| TPCI868-SW-32 | pSOS Software Support |
| TPCI868-SW-42 | VxWorks Software Support |
| TPCI868-SW-62 | Windows NT 4.0 Software Support |
| TPCI868-SW-65 | Windows XP/2000 Software Support |
| TPCI868-SW-72 | LynxOS Software Support |
| TPCI868-SW-82 | LiNux Software Support |
| TPCI868-SW-92 | QNX 4 Software Support |
| TPCI868-SW-95 | QNX 6 Software Support |



Artisan Technology Group is your source for quality new and certified-used/pre-owned equipment

- FAST SHIPPING AND DELIVERY
- TENS OF THOUSANDS OF IN-STOCK ITEMS
- EQUIPMENT DEMOS
- HUNDREDS OF MANUFACTURERS SUPPORTED
- LEASING/MONTHLY RENTALS
- ITAR CERTIFIED SECURE ASSET SOLUTIONS

SERVICE CENTER REPAIRS

Experienced engineers and technicians on staff at our full-service, in-house repair center

*InstraView*SM REMOTE INSPECTION

Remotely inspect equipment before purchasing with our interactive website at www.instraview.com ↗

WE BUY USED EQUIPMENT

Sell your excess, underutilized, and idle used equipment. We also offer credit for buy-backs and trade-ins. www.artisanng.com/WeBuyEquipment ↗

LOOKING FOR MORE INFORMATION?

Visit us on the web at www.artisanng.com ↗ for more information on price quotations, drivers, technical specifications, manuals, and documentation

Contact us: (888) 88-SOURCE | sales@artisanng.com | www.artisanng.com