



Artisan Technology Group is your source for quality new and certified-used/pre-owned equipment

- FAST SHIPPING AND DELIVERY
- TENS OF THOUSANDS OF IN-STOCK ITEMS
- EQUIPMENT DEMOS
- HUNDREDS OF MANUFACTURERS SUPPORTED
- LEASING/MONTHLY RENTALS
- ITAR CERTIFIED SECURE ASSET SOLUTIONS

SERVICE CENTER REPAIRS

Experienced engineers and technicians on staff at our full-service, in-house repair center

*InstraView*SM REMOTE INSPECTION

Remotely inspect equipment before purchasing with our interactive website at www.instraview.com ↗

WE BUY USED EQUIPMENT

Sell your excess, underutilized, and idle used equipment. We also offer credit for buy-backs and trade-ins. www.artisanng.com/WeBuyEquipment ↗

LOOKING FOR MORE INFORMATION?

Visit us on the web at www.artisanng.com ↗ for more information on price quotations, drivers, technical specifications, manuals, and documentation

Contact us: (888) 88-SOURCE | sales@artisanng.com | www.artisanng.com

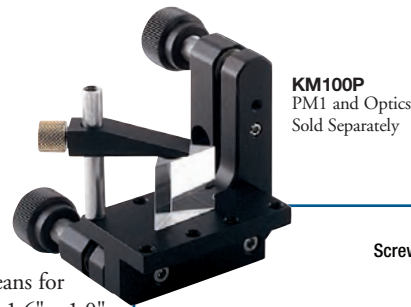
Kinematic Prism Mount

- Removable Knobs Expose Leadscrews with Hex Socket
- Platform with #6-32 (M4 x 0.7) Tapped Holes for PM1 Clamping Arm
- Hardened Steel Ball Seats Improve Durability

The KM100P Kinematic Prism Mount provides a convenient means for aligning components that require pitch and yaw adjustment. The 1.6" x 1.0" (40.6 mm x 25.4 mm) platform allows the KM100P to be used to integrate many prisms, cube beamsplitters, and corner cubes into an optical system. The platform includes tapped holes for securing PM1 or PM2 clamping arms, which are sold separately.

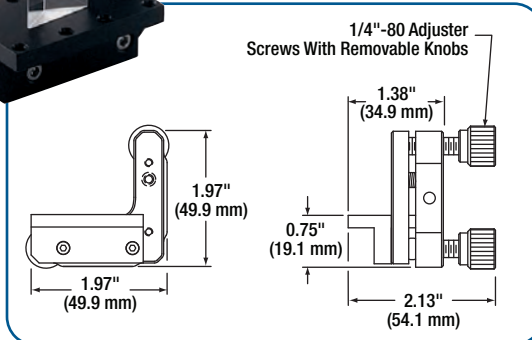
ITEM#	METRIC ITEM#	\$	£	€	RMB	DESCRIPTION
KM100P*	KM100P/M*	\$ 59.20	£ 41.10	€ 52.60	¥ 499.90	Prism Platform

*PM1 (PM1/M) and PM2 (PM2/M) Clamping Arms sold separately (see page 175)



KM100P
PM1 and Optics
Sold Separately

Mechanical
Drawings Available on the
WEB



Please refer to our website for complete models and drawings.

Kinematic Platform Mounts



KM200B

KM100B

- Mounts Vertically or Horizontally
- 1/4"-80 Precision Adjusters
- Removable Knobs Expose Leadscrews with Hex Socket

The KM100B and KM200B Kinematic Platform Mounts, which measure 2" x 2" (50.4 mm x 50.4 mm) and 3" x 3" (75.2 mm x 75.2 mm), respectively, provide $\pm 4^\circ$ (KM100B) or $\pm 3^\circ$ (KM200B) of pitch and yaw motion. They offer an unobstructed path from all sides.

Both platforms have an array of #6-32 (M4 x 0.7) tapped holes for securing PM1 or PM2 clamping arms, which are sold separately. In addition, the KM200B also has 1/4"-20 (M6 x 1.0) tapped holes for mounting other components, such as a post holder or a CR1 Rotation Stage.



KM200P
Post and Post Holder
Sold Separately

ITEM#	METRIC ITEM#	\$	£	€	RMB	DESCRIPTION
KM100B*	KM100B/M*	\$ 52.00	£ 36.10	€ 46.20	¥ 439.10	Kinematic Platform Mount, 2" x 2" (50.4 mm x 50.4 mm)
KM200B*	KM200B/M*	\$ 89.50	£ 62.10	€ 79.50	¥ 755.80	Kinematic Platform Mount, 3" x 3" (75.2 mm x 75.2 mm)

*PM1 (PM1/M) and PM2 (PM2/M) Clamping Arms sold separately (see page 175)

Pitch and Yaw Platform with Micrometer Drives

- $\pm 4^\circ$ of Travel per Axis
- Resolution of 10 arcsec
- Precision Micrometer Head Actuators
- 13 mrad per revolution

The PY003 tilt platform provides $\pm 4^\circ$ of micrometer adjustment of both pitch and yaw. This compact pitch/yaw adjustable mounting platform has both 1/4"-20 (M6 x 1.0) and #8-32 (M4 x 0.7) threaded mounting holes.

ITEM#	METRIC ITEM#	\$	£	€	RMB	DESCRIPTION
PY003	PY003/M	\$ 178.00	£ 123.40	€ 158.10	¥ 1,503.10	Pitch & Yaw Tilt Platform with Micrometer Drives



PY003
Post and Base
Sold Separately



Artisan Technology Group is your source for quality new and certified-used/pre-owned equipment

- FAST SHIPPING AND DELIVERY
- TENS OF THOUSANDS OF IN-STOCK ITEMS
- EQUIPMENT DEMOS
- HUNDREDS OF MANUFACTURERS SUPPORTED
- LEASING/MONTHLY RENTALS
- ITAR CERTIFIED SECURE ASSET SOLUTIONS

SERVICE CENTER REPAIRS

Experienced engineers and technicians on staff at our full-service, in-house repair center

*InstraView*SM REMOTE INSPECTION

Remotely inspect equipment before purchasing with our interactive website at www.instraview.com ↗

WE BUY USED EQUIPMENT

Sell your excess, underutilized, and idle used equipment. We also offer credit for buy-backs and trade-ins. www.artisanng.com/WeBuyEquipment ↗

LOOKING FOR MORE INFORMATION?

Visit us on the web at www.artisanng.com ↗ for more information on price quotations, drivers, technical specifications, manuals, and documentation

Contact us: (888) 88-SOURCE | sales@artisanng.com | www.artisanng.com