



Artisan Technology Group is your source for quality new and certified-used/pre-owned equipment

- FAST SHIPPING AND DELIVERY
- TENS OF THOUSANDS OF IN-STOCK ITEMS
- EQUIPMENT DEMOS
- HUNDREDS OF MANUFACTURERS SUPPORTED
- LEASING/MONTHLY RENTALS
- ITAR CERTIFIED SECURE ASSET SOLUTIONS

SERVICE CENTER REPAIRS

Experienced engineers and technicians on staff at our full-service, in-house repair center

*InstraView*SM REMOTE INSPECTION

Remotely inspect equipment before purchasing with our interactive website at www.instraview.com ↗

WE BUY USED EQUIPMENT

Sell your excess, underutilized, and idle used equipment. We also offer credit for buy-backs and trade-ins. www.artisanng.com/WeBuyEquipment ↗

LOOKING FOR MORE INFORMATION?

Visit us on the web at www.artisanng.com ↗ for more information on price quotations, drivers, technical specifications, manuals, and documentation

Contact us: (888) 88-SOURCE | sales@artisanng.com | www.artisanng.com

45° Mirror Holder and Adapter

The MA45-2, which is designed to allow our KM100 mirror mounts to be mounted at 45° with respect to an optical bench, is useful when there is a need to change the optical beam height. The beam height of the KM100 kinematic mount, MA45-2, and UPHA base combination is 2.00" (50.8 mm) for the MA45-2 and 50.0 mm (1.97") for the MA45-50/M.

The H45B2 accommodates Ø1" (Ø25.4 mm) optics, such as mirrors or beamsplitters. Optics are held in place with a nylon-tipped setscrew. For beamsplitter applications, a through hole, centered on the optic mount, is provided.



MA45-2 Shown with UPHA and KM100
(Sold Separately on Pages 87 and 222, Respectively)

Please refer to our website for complete models and drawings.

Price Includes Complete Assembly as Shown in Photo

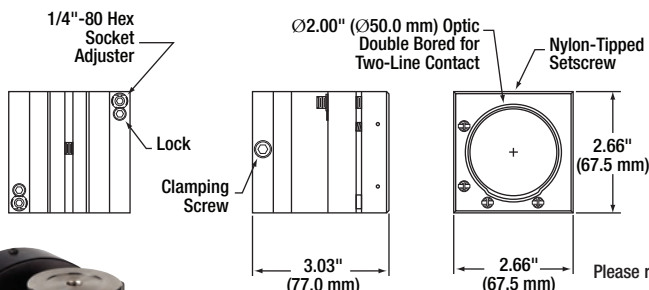
ITEM#	METRIC ITEM#	\$	£	€	RMB	DESCRIPTION
H45B2	H45B2*	\$ 42.80	£ 29.70	€ 38,00	¥ 361.50	45° Mirror Holder, Ø1" (Ø25.4 mm) Optic
MA45-2	MA45-50/M	\$ 23.00	£ 16.00	€ 20,50	¥ 194.30	45° Mounting Adapter

*Imperial and Metric Compatible

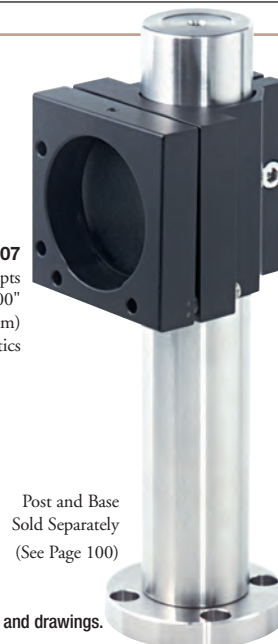
Ø1.5" Post-Mountable Kinematic Mirror Mounts

These Post-Mountable Kinematic Mirror Mounts are designed to fit on our Ø1.5" P-Series Posts (see page 100) and hold Ø2" or Ø3" mirrors with minimum thicknesses of 0.22" (5.6 mm) or 0.15" (3.8 mm), respectively. They feature heavy-duty springs to ensure mechanical stability, even when supporting the weight of a large-diameter mirror. The adjusters (1/4"-80) are made from stainless steel and are matched to brass bushings to provide smooth, easy adjustment.

- Heavy-Duty Design Ensures Mechanical Stability
- ±5° Adjustment Range
- Two Models for Mounting Ø2.00" (Ø50 mm) or Ø3.00" (Ø75.0 mm) Mirrors



C1507
Accepts Ø2.00" (Ø50 mm) Optics



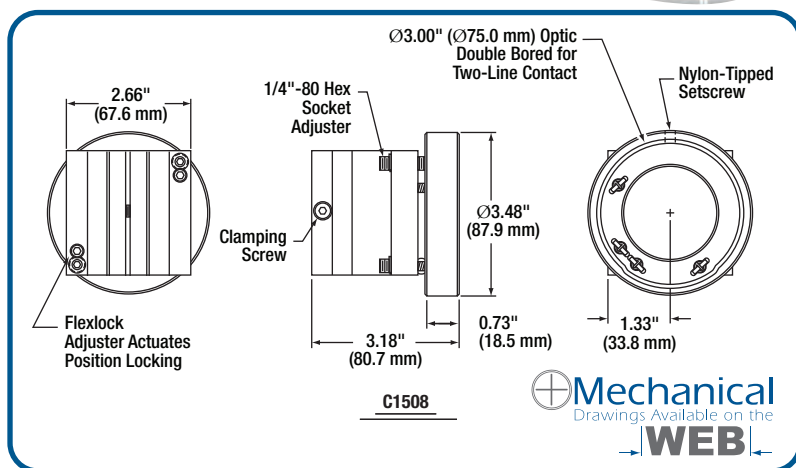
Post and Base Sold Separately (See Page 100)

Please refer to our website for complete models and drawings.



Posts Sold Separately (See Page 100)

C1508
Accepts Ø3.00" (Ø75.0 mm) Optics



Mechanical
Drawings Available on the
WEB

ITEM#	METRIC ITEM#	\$	£	€	RMB	DESCRIPTION
C1507	C1507/M	\$ 177.00	£ 122.70	€ 157,20	¥ 1,494.60	Post-Mountable Ø2.00" (Ø50.0 mm) Kinematic Mirror Mount
C1508	C1508/M	\$ 198.00	£ 137.30	€ 175,80	¥ 1,672.00	Post-Mountable Ø3.00" (Ø75.0 mm) Kinematic Mirror Mount



Artisan Technology Group is your source for quality new and certified-used/pre-owned equipment

- FAST SHIPPING AND DELIVERY
- TENS OF THOUSANDS OF IN-STOCK ITEMS
- EQUIPMENT DEMOS
- HUNDREDS OF MANUFACTURERS SUPPORTED
- LEASING/MONTHLY RENTALS
- ITAR CERTIFIED SECURE ASSET SOLUTIONS

SERVICE CENTER REPAIRS

Experienced engineers and technicians on staff at our full-service, in-house repair center

*InstraView*SM REMOTE INSPECTION

Remotely inspect equipment before purchasing with our interactive website at www.instraview.com ↗

WE BUY USED EQUIPMENT

Sell your excess, underutilized, and idle used equipment. We also offer credit for buy-backs and trade-ins. www.artisanng.com/WeBuyEquipment ↗

LOOKING FOR MORE INFORMATION?

Visit us on the web at www.artisanng.com ↗ for more information on price quotations, drivers, technical specifications, manuals, and documentation

Contact us: (888) 88-SOURCE | sales@artisanng.com | www.artisanng.com