



Artisan Technology Group is your source for quality new and certified-used/pre-owned equipment

- FAST SHIPPING AND DELIVERY
- TENS OF THOUSANDS OF IN-STOCK ITEMS
- EQUIPMENT DEMOS
- HUNDREDS OF MANUFACTURERS SUPPORTED
- LEASING/MONTHLY RENTALS
- ITAR CERTIFIED SECURE ASSET SOLUTIONS

SERVICE CENTER REPAIRS

Experienced engineers and technicians on staff at our full-service, in-house repair center

*InstraView*SM REMOTE INSPECTION

Remotely inspect equipment before purchasing with our interactive website at www.instraview.com ↗

WE BUY USED EQUIPMENT

Sell your excess, underutilized, and idle used equipment. We also offer credit for buy-backs and trade-ins. www.artisanng.com/WeBuyEquipment ↗

LOOKING FOR MORE INFORMATION?

Visit us on the web at www.artisanng.com ↗ for more information on price quotations, drivers, technical specifications, manuals, and documentation

Contact us: (888) 88-SOURCE | sales@artisanng.com | www.artisanng.com

Thermal Products

2010 & 2010T THERMAL ASSEMBLY SYSTEMS

These lever-arm, bench-top systems are ideal for single point or small, multi-point assembly operations. Each unit is exceptional for short run prototype work and for testing new applications. The 2010T has a built-in timer and signal light. The operator can set and adjust the cycle time, insuring that each part is assembled for the same amount of time. This improves part-to-part consistency and reliability. No lab or molding house should be without one or both of these units.

Features:

- Cast aluminum base with fixture-mounting bolt hole pattern
- Adjustable, locking depth stop for accurate tool adjustment
- Microprocessor based, digital display, temperature controller with digital set point and process value readout
- Thermal probe with built-in thermocouple
- 80-999 degree F. operating range +/-2 degree accuracy
- Non-asbestos insulator
- Easy-access on/off switch



Additional Features for the 2010T:

- 1-10 second, adjustable assembly timer
- Cycle complete light
- Magnetic switch that starts timer (not shown)

SPECIFICATIONS

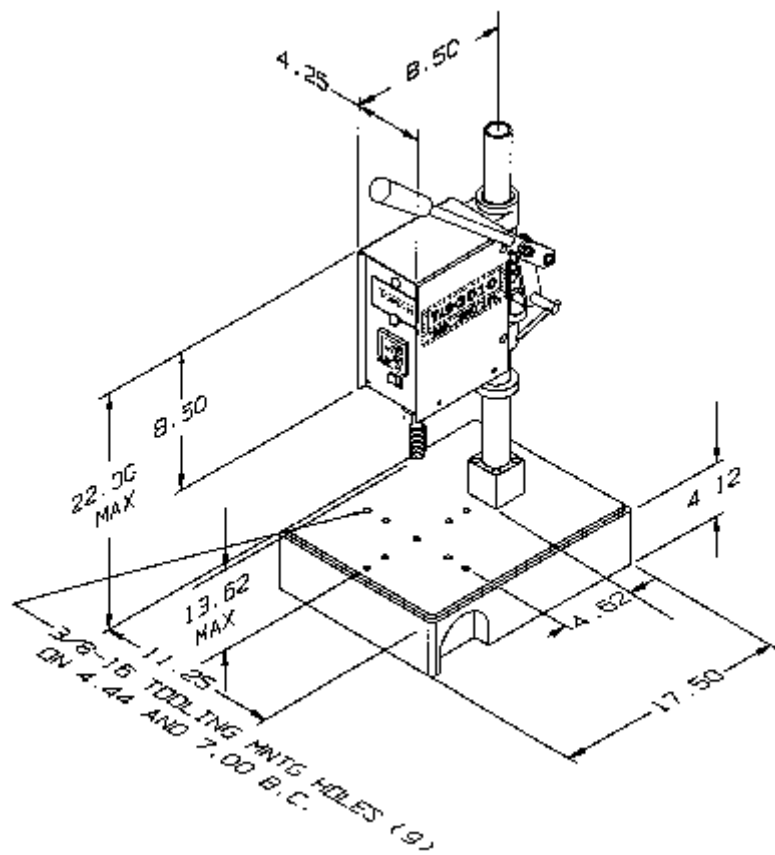
Power requirements: 110 VAC, 50/60 Hz
Current draw @ full rated output: 2.5 amps
Stroke length: 2.5" (6.3 cm)
Weight: 34 lbs

CUSTOM OPTIONS (Quoted Upon Request)

Extended column height
Extended throat depth
Post cooling system
3" x 3" multi-point platen

BY004 - 2010 Unit with Probe

BY007 - 2010T Unit with Probe & Timer





Artisan Technology Group is your source for quality new and certified-used/pre-owned equipment

- FAST SHIPPING AND DELIVERY
- TENS OF THOUSANDS OF IN-STOCK ITEMS
- EQUIPMENT DEMOS
- HUNDREDS OF MANUFACTURERS SUPPORTED
- LEASING/MONTHLY RENTALS
- ITAR CERTIFIED SECURE ASSET SOLUTIONS

SERVICE CENTER REPAIRS

Experienced engineers and technicians on staff at our full-service, in-house repair center

*InstraView*SM REMOTE INSPECTION

Remotely inspect equipment before purchasing with our interactive website at www.instraview.com ↗

WE BUY USED EQUIPMENT

Sell your excess, underutilized, and idle used equipment. We also offer credit for buy-backs and trade-ins. www.artisanng.com/WeBuyEquipment ↗

LOOKING FOR MORE INFORMATION?

Visit us on the web at www.artisanng.com ↗ for more information on price quotations, drivers, technical specifications, manuals, and documentation

Contact us: (888) 88-SOURCE | sales@artisanng.com | www.artisanng.com