



Artisan Technology Group is your source for quality new and certified-used/pre-owned equipment

- FAST SHIPPING AND DELIVERY
- TENS OF THOUSANDS OF IN-STOCK ITEMS
- EQUIPMENT DEMOS
- HUNDREDS OF MANUFACTURERS SUPPORTED
- LEASING/MONTHLY RENTALS
- ITAR CERTIFIED SECURE ASSET SOLUTIONS

SERVICE CENTER REPAIRS

Experienced engineers and technicians on staff at our full-service, in-house repair center

*InstraView*SM REMOTE INSPECTION

Remotely inspect equipment before purchasing with our interactive website at www.instraview.com ↗

WE BUY USED EQUIPMENT

Sell your excess, underutilized, and idle used equipment. We also offer credit for buy-backs and trade-ins. www.artisanng.com/WeBuyEquipment ↗

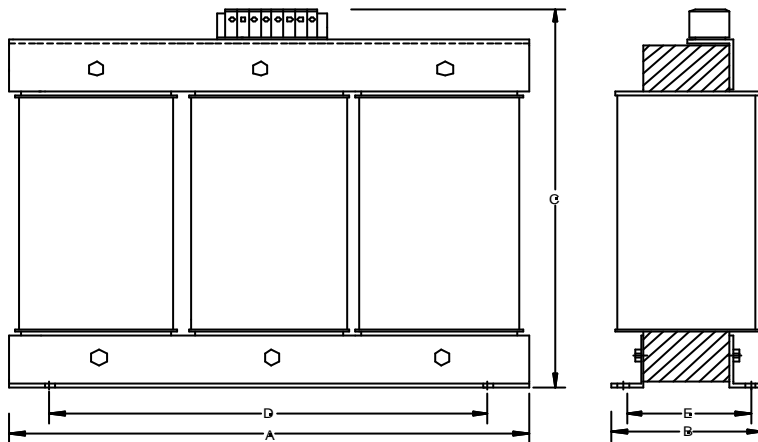
LOOKING FOR MORE INFORMATION?

Visit us on the web at www.artisanng.com ↗ for more information on price quotations, drivers, technical specifications, manuals, and documentation

Contact us: (888) 88-SOURCE | sales@artisanng.com | www.artisanng.com

**Drehstromtransformatoren nach
Three-phase transformers according to**

**VDE 0550/0570
VDE 0550/0570**



Stehende Ausführung

Nach VDE 0570

Max. UT 40°, Isolationsklasse „E“ offener Transformator, getrennte Wicklungen, **Schutzart IP 00**, geeignet zum Einbau bis IP 23, Korrosionsschutz durch komplette Harz-Imprägnierung

Vertical design

According to VDE 0570

max. ambient temperature 40°, insulation class „E“ open transformer, separate windings, IP 00 type protection, suitable for installation up to IP 23, corrosion protection Through complete resin impregnation

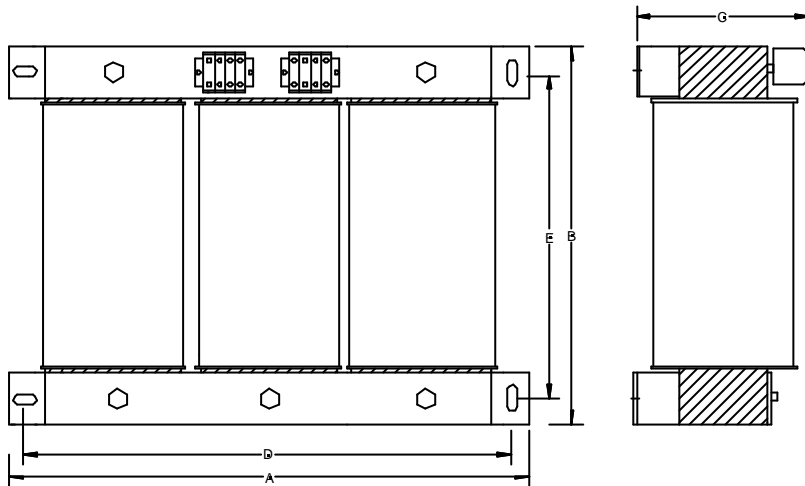
Typ	Leistung KVA	Baugröße Kern	CU. Gew. kg	Ges. Gew. kg	A	B	C	D	E	F
DT	0.16	0.16 3 UI 60	0,7	2,5	120	79	112	90	49	4,8
DT	0.20	0.20 3 UI 75	1,4	4,2	150	85	136	113	50	5,8
DT	0.32	0.32 3 UI 75	1,6	5,8	150	100	136	113	65	5,8
DT	0.40	0.40 3 UI 75	1,6	5,8	150	100	136	113	65	5,8
DT	0.50	0.50 3 UI 90	1,8	6,5	180	92	157	136	57	8,0
DT	0.63	0.63 3 UI 90	2,2	8,5	180	102	157	136	67	8,0
DT	0.80	0.80 3 UI 90	2,9	10,4	180	112	157	136	77	8,0
DT	1.00	1.00 3 UI 114	3,4	14,0	228	104	198	176	71	7,0
DT	1.25	1.25 3 UI 114	4,9	15,5	228	104	198	176	71	7,0
DT	1.60	1.60 3 UI 120	5,8	19,0	240	117	208	185	81	10,0
DT	2.00	2.00 3 UI 120	6,9	23,0	240	132	208	185	96	10,0
DT	2.50	2.50 3 UI 132	8,5	30,0	264	141	228	200	102	10,0
DT	3.15	3.15 3 UI 150	12,0	42,0	300	147	260	224	119	10,0
DT	4.00	4.00 3 UI 150	13,0	46,0	300	160	260	224	132	10,0
DT	5.00	5.00 3 UI 180	15,0	51,0	360	153	305	264	125	10,0
DT	6.30	6.30 3 UI 180	18,0	60,0	360	168	305	264	140	10,0
DT	8.00	8.00 3 UI 210	25,0	73,0	420	163	360	316	133	12,0
DT	10.00	10.00 3 UI 210	26,0	74,0	420	163	428	316	133	12,0
DT	12.50	12.50 3 UI 210	33,0	91,0	420	173	428	316	143	12,0
DT	16.00	16.00 3 UI 210	38,0	115,0	420	203	428	316	173	12,0
DT	20.00	20.00 3 UI 210	42,0	141,0	420	233	428	316	203	12,0

Maße in mm

Änderungen vorbehalten!

**Drehstromtransformatoren nach
Three-phase transformers according to**

**VDE 0550/0570
VDE 0550/0570**



Liegende Ausführung

Nach VDE 0550

Max. UT 40°, Isolationsklasse „E“ offener Transformator, getrennte Wicklungen, **Schutzart IP 00**, geeignet zum Einbau bis IP 23, Korrosionsschutz durch komplette Harz-Imprägnierung

Horizontal design

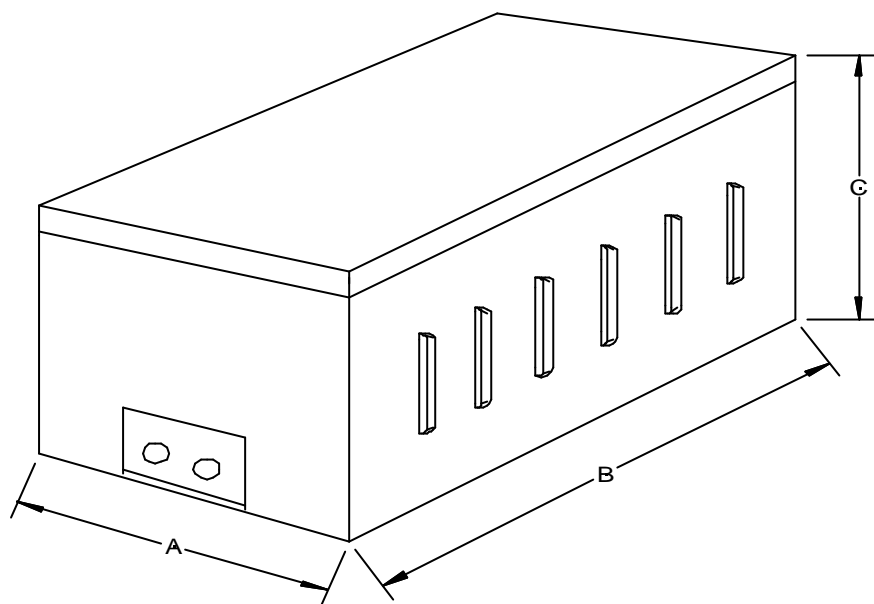
According to VDE 0550

max. ambient temperature 40°, insulation class „E“ open transformer, separate windings, IP 00 type protection, suitable for installation up to IP 23, corrosion protection Through complete resin impregnation

Typ	Leistung KVA	Baugröße Kern	CU. Gew. kg	Ges. Gew. kg	A	B	C	D	E	F
DTL	0.20	0.20 3 UI 75	1,4	4,2	156	150	85	140	100	5,8
DTL	0.32	0.32 3 UI 75	1,6	5,8	156	150	100	140	100	5,8
DTL	0.40	0.40 3 UI 75	1,6	5,8	156	150	100	140	100	5,8
DTL	0.50	0.50 3 UI 90	1,8	6,5	206	180	92	184	120	8,0
DTL	0.63	0.63 3 UI 90	2,2	8,5	206	180	102	184	120	8,0
DTL	0.80	0.80 3 UI 90	2,9	10,4	206	180	112	184	120	8,0
DTL	1.00	1.00 3 UI 114	3,4	14,0	254	228	104	228	152	7,0
DTL	1.25	1.25 3 UI 114	4,9	15,5	254	228	104	228	152	7,0
DTL	1.60	1.60 3 UI 120	5,8	19,0	290	240	117	258	160	10,0
DTL	2.00	2.00 3 UI 120	6,9	23,0	290	240	132	258	160	10,0
DTL	2.50	2.50 3 UI 132	8,5	30,0	290	264	141	258	176	10,0
DTL	3.15	3.15 3 UI 150	12,0	42,0	330	300	147	298	200	10,0
DTL	4.00	4.00 3 UI 150	13,0	46,0	330	300	160	298	200	10,0
DTL	5.00	5.00 3 UI 180	15,0	51,0	394	360	153	358	240	10,0
DTL	6.30	6.30 3 UI 180	18,0	60,0	394	360	168	358	240	10,0
DTL	8.00	8.00 3 UI 210	25,0	73,0	452	420	163	408	280	12,0
DTL	10.00	10.00 3 UI 210	26,0	74,0	452	420	163	408	280	12,0
DTL	12.50	12.50 3 UI 210	33,0	91,0	452	420	173	408	280	12,0
DTL	16.00	16.00 3 UI 210	38,0	115,0	452	420	203	408	280	12,0
DTL	20.00	20.00 3 UI 210	42,0	141,0	452	420	233	408	280	12,0

Maße in mm

Änderungen vorbehalten!



Gehäuse IP 23

Nach VDE 0550/0570

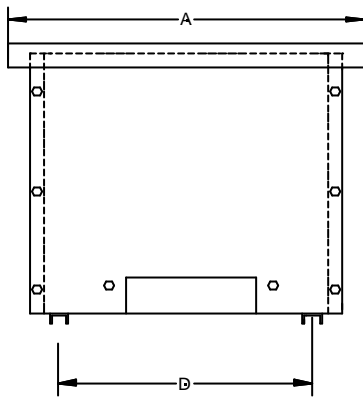
Max. UT 40°, Isolationsklasse „E“ offener Transformator, getrennte Wicklungen, **Schutzart IP 23**
Korrosionsschutz durch komplette Harz-Imprägnierung

Case model IP 23

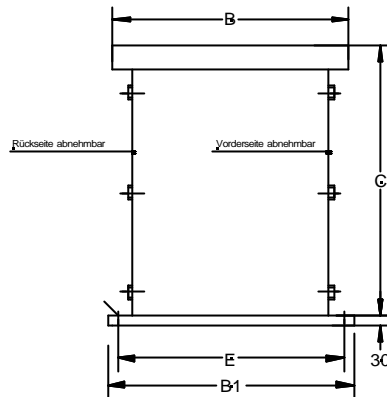
According to VDE 0550/0570

max. ambient temperature 40°, insulation class „E“ open transformer, separate windings, **IP 23 type protection**, corrosion protection through complete resin impregnation.

Typ	Leistung KVA	Baugröße Kern	CU. Gew. kg	Ges. Gew. kg	A	B	C
DTG 0.16	0.16	3 UI 60	0,7	4,0	152	202	155
DTG 0.20	0.20	3 UI 75	1,4	5,7	152	202	155
DTG 0.32	0.32	3 UI 75	1,6	7,3	152	202	155
DTG 0.40	0.40	3 UI 75	1,6	7,3	152	202	155
DTG 0.50	0.50	3 UI 90	1,8	8,0	152	202	155
DTG 0.63	0.63	3 UI 90	2,2	10,0	152	202	155
DTG 0.80	0.80	3 UI 90	2,9	12,0	152	202	155
DTG 1.00	1.00	3 UI 114	3,4	17,5	222	303	190
DTG 1.25	1.25	3 UI 114	4,9	18,9	222	303	190
DTG 1.60	1.60	3 UI 120	5,8	22,5	222	303	190
DTG 2.00	2.00	3 UI 120	6,9	26,5	222	303	190
DTG 2.50	2.50	3 UI 132	8,5	33,5	222	303	190
DTG 3.15	3.15	3 UI 150	12,0	47,4	302	382	220
DTG 4.00	4.00	3 UI 150	13,0	51,5	302	382	220



Skizze 45,



Skizze 45,

Gehäuse IP 23

Nach VDE 0550/0570

Max. UT 40°, Isolationsklasse „E“ offener Transformator, getrennte Wicklungen, **Schutzart IP 23**

Korrosionsschutz durch komplette Harz-Imprägnierung

Case model IP 23

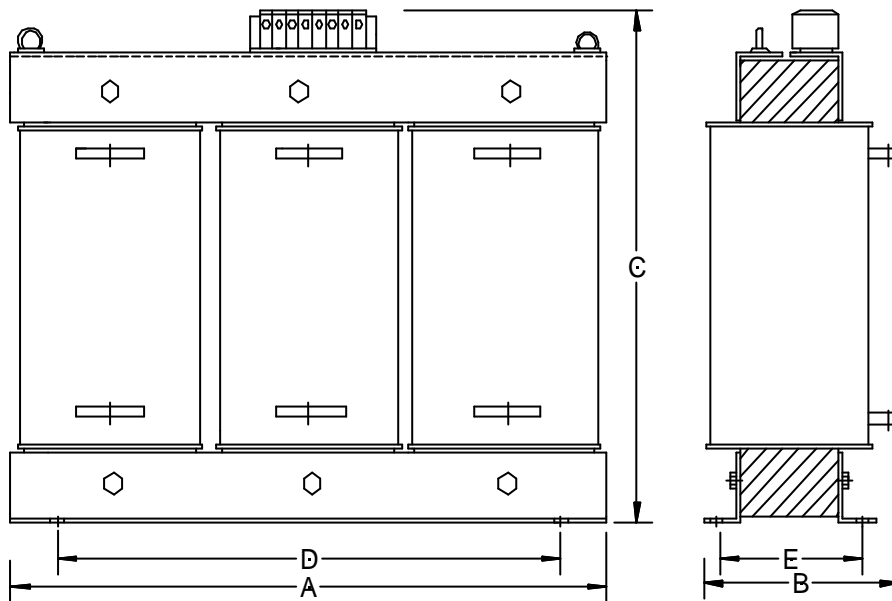
According to VDE 0550/0570

max. ambient temperature 40°, insulation class „E“ open transformer, separate windings, **IP23typeprotection**

corrosion protection through complete resin impregnation.

Typ	Leistung KVA	Baugröße Kern	CU. Gew. kg	Ges. Gew. kg	A	B	C	D	E	F
DTG 5.00	5.00	3 UI 180	15,0	69,0	580	440	470	264	400	11x15
DTG 6.30	6.30	3 UI 180	18,0	78,0	580	440	470	264	400	11x15
DTG 8.00	8.00	3 UI 210	25,0	91,0	580	440	470	316	400	11x15
DTG 10.00	10.00	3 UI 210	26,0	92,0	580	440	470	316	400	11x15
DTG 12.50	12.50	3 UI 210	33,0	109,0	580	440	470	316	400	11x15
DTG 16.00	16.00	3 UI 210	38,0	133,0	580	440	470	316	400	11x15
DTG 20.00	20.00	3 UI 210	42,0	159,0	580	440	470	316	400	11x15

Dreiphasen – Trocken - Transformatoren nach VDE 0532
Three – phase – transformers to VDE 0532



DL 22 – DL 400

Blatt 1 Technische Daten

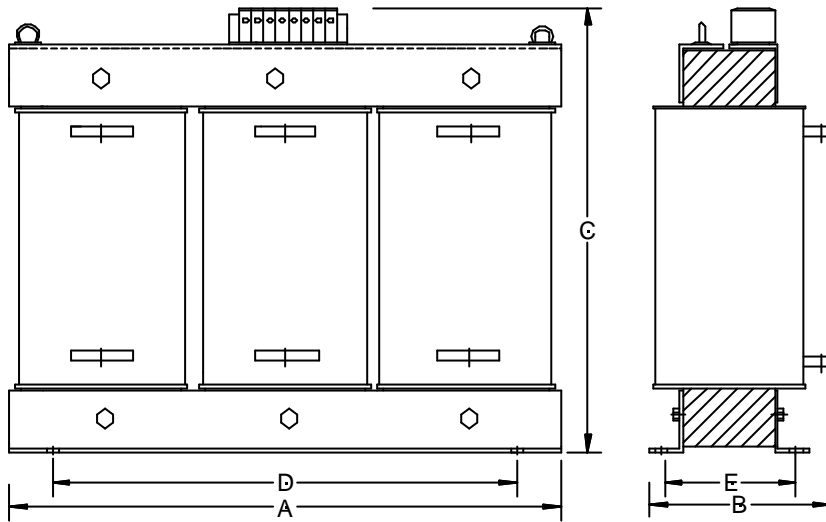
Zur Erzielung eines optimalen Wirkungsgrades kommt verlustarmes Blech zum Einsatz. Die Wicklungen bestehen aus hochwertigem Cu-Lack der Isolierstoff-Klasse F oder H. Umgebungstemperatur: 40°C. Komplette Vakuum-Imprägnierung im Harz. Montage auf horizontalen Flächen, vorbereitet für Schutzklasse 1. Andere Frequenzen, veränderte Umgebungstemperaturen auf Anfrage.

Typ	P KVA	Uk %	PFe W	PHe W	Cu kg	Ges. kg
DL 22	22	5,3	151	1095	25,0	105,0
DL 28	28	4,1	162	1033	26,0	131,0
DL 35	35	3,6	192	1035	28,0	160,0
DL 40	40	3,7	192	1196	43,0	175,0
DL 50	50	3,7	258	1750	41,0	226,0
DL 56	56	3,6	258	1802	51,0	236,0
DL 63	63	4,1	297	2286	48,0	270,0
DL 80	80	3,8	333	2479	67,0	312,0
DL 100	100	4,0	376	3035	80,0	357,0
DL 125	125	3,9	475	3926	83,0	453,0
DL 140	140	3,9	497	3977	100,0	470,0
DL 180	180	3,7	545	5195	110,0	580,0
DL 200	200	3,4	676	5343	116,0	736,0
DL 250	250	4,5	676	6603	165,0	785,0
DL 315	315	4,5	786	6669	236,0	934,0
DL 400	400	5,1	966	8455	252,0	1171,0

Leistungsbereich bis 1000 KVA auf Anfrage.

Maße in mm

Änderungen vorbehalten!



DL 22 – DL 400

Blatt 2 Abmessungen und Befestigungen.

Anschlüsselemente richten sich nach Stromstärke und sind entweder Klemmen, Bolzen oder CU-Laschen.

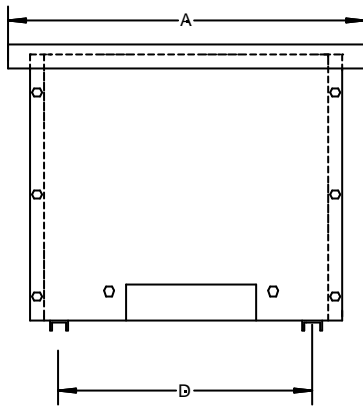
Typ		A	B	C	D	E	F
DL	22	480	220	475	356	154	13x20
DL	28	480	250	475	356	184	13x20
DL	35	480	280	475	356	214	13x20
DL	40	480	280	475	356	214	13x20
DL	50	540	285	580	450	205	13x20
DL	56	540	285	580	450	205	13x20
DL	63	600	285	660	500	215	18x26
DL	80	600	300	660	500	230	18x26
DL	100	600	340	660	500	250	18x26
DLT	125	720	360	750	600	250	18x26
DL	140	720	370	750	600	250	18x26
DL	180	720	420	750	600	295	18x26
DL	200	900	440	810	750	275	18x26
DL	250	900	440	810	750	275	18x26
DL	315	900	470	810	750	300	18x26
DL	400	900	540	810	810	360	18x26

Leistungsbereich bis 1000 KVA auf Anfrage.

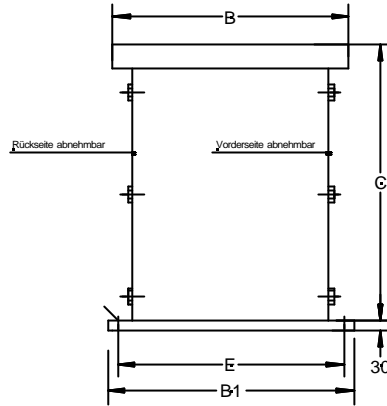
Maße in mm

Änderungen vorbehalten!

Skizze 48,1



Skizze 48,2



Gehäuse IP 23

Nach VDE 0550/0532

Max. UT 40°, Isolationsklasse „F“ getrennte Wicklungen

Schutzart IP 23

Korrosionsschutz durch komplette Harz-Imprägnierung

Case model IP 23

According to VDE 0550/0532

max. ambient temperature 40°, insulation class „F“

seperate windings, **IP 23 type protection**,

corrosion protection through complete resin impregnation.

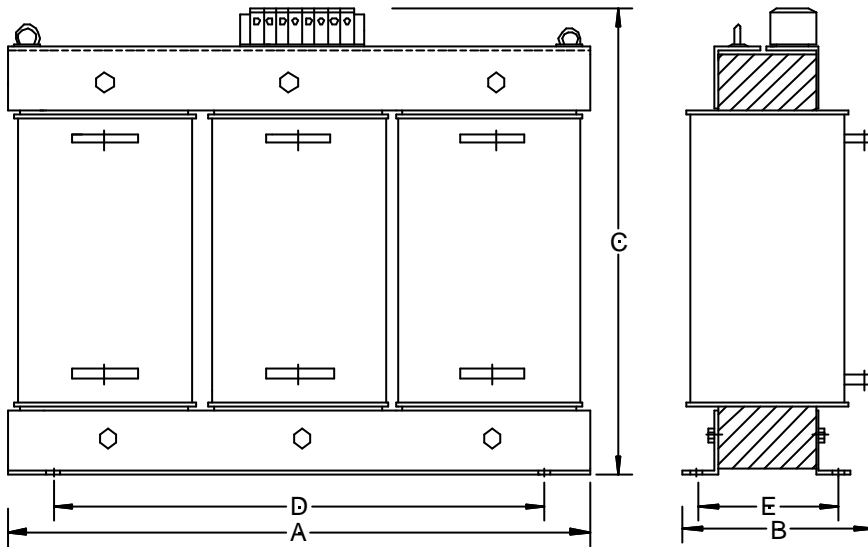
Typ	Leistung KVA	Baugröße Kern	CU. Gew. kg	Ges. Gew. kg	A	B	C	D	E	F	Größe	
DLG	25.0	25.0 3 UI	390	48,0	168,0	640	500	530	349-197	460	11x15	140
DLG	31.5	31.5 3 UI	440	55,0	185,0	740	510	560	409-257	510	11x15	140
DLG	40.0	40.0 3 UI	440	56,0	215,0	740	510	560	409-257	510	11x15	140
DLG	50.0	50.0 3 UI	440	56,0	248,0	740	510	560	409-257	510	11x15	150
DLG	63.5	63.5 3 UI	550	87,0	323,0	825	630	670	616-332	590	11x15	160
DLG	80.0	80.0 3 UI	550	98,0	383,0	825	630	670	616-332	590	11x15	160
DLG	100.0	100.0 3 UI	550	120,0	453,0	825	630	670	616-332	590	11x15	160
DLG	125.0	125.0 3 UI	580	206,0	573,0	1020	760	740	812-428	720	11x15	170
DLG	163.0	163.0 3 UI	580	225,0	668,0	1020	760	740	812-428	720	11x15	170
DLG	200.0	200.0 3 UI	820	220,0	878,0	1060	600	1050	632-568	560	11x15	
DLG	250.0	250.0 3 UI	820	280,0	1041,0	1260	800	1150	812-748	760	11x15	
DLG	315.0	315.0 3 UI	920	320,0	1266,0	1260	800	1150	812-748	760	11x15	
DLG	400.0	400.0 3 UI	920	439,0	1502,0	1310	860	1300	1081-497	820	11x15	

Leistungsbereiche bis 1000 KVA auf Anfrage.

Maße in mm

Änderungen vorbehalten!

Dreiphasentransformatoren nach VDE 0550/0570/0532 Wicklung in Gießharz
Three-phase transformers according to VDE 0550/0570/0532 Coil winding in resin



Wicklung in Gießharz

Nach VDE 0550/0532/0107
 Max. UT 40°, Isolationsklasse „E“
 offener Transformator, getrennte Wicklungen,
 Schutzart IP 23

Coil winding in resin

According to VDE 0550/0532/0107
 max. ambient temperature 40°,
 insulation class „E“ open transformer,
 separate windings, IP 23 type protection.

Typ	Leistung KVA	Baugröße Kern	CU. Gew. kg	Ges. Gew. kg	A	B	C	D	E	F
GD	0.5	0.5 3 UI 90	1,8	6,5	180	92	157	136	57	8
GD	1.0	1.0 3 UI 114	3,4	14,0	228	104	198	176	71	7
GD	1.6	1.6 3 UI 120	5,8	19,0	240	132	208	185	96	10
GD	3.0	3.0 3 UI 150	12,0	42,0	300	147	260	224	119	10
GD	4.0	4.0 3 UI 150	13,0	46,0	300	160	260	224	132	10
GD	5.0	5.0 3 UI 180	15,0	51,0	360	153	305	264	125	10
GD	6.3	6.3 3 UI 180	18,0	60,0	360	168	305	264	140	10
GD	8.0	8.0 3 UI 210	25,0	73,0	420	163	360	316	133	10
GD	10.0	10.0 3 UI 210	26,0	74,0	420	163	428	316	133	10
GD	16.0	16.0 3 UI 210	38,0	115,0	420	203	428	316	173	10
GD	20.0	20.0 3 UI 210	42,0	141,0	420	233	428	316	203	10
GD	31.5	31.5 3 UI 440	55,0	162,0	540	180	520	440	130	12
GD	40.0	40.0 3 UI 440	56,0	192,0	540	207	520	440	157	12
GD	50.0	50.0 3 UI 440	56,0	225,0	540	237	520	440	187	12
GD	63.0	63.0 3 UI 550	87,0	285,0	700	350	570	550	190	13
GD	80.0	80.0 3 UI 550	98,0	345,0	700	380	570	550	220	13
GD	100.0	100.0 3 UI 550	120,0	415,0	700	410	570	550	250	13
GD	125.0	125.0 3 UI 550	206,0	520,0	730	360	720	580	200	13
GD	160.0	160.0 3 UI 550	225,0	615,0	730	400	720	580	240	13
GD	200.0	200.0 3 UI 820	220,0	810,0	1020	448	880	820	248	13
GD	250.0	250.0 3 UI 820	280,0	945,0	1020	448	1040	820	248	13
GD	315.0	315.0 3 UI 920	320,0	1170,0	1020	470	980	920	270	13

Maße in mm

Änderungen vorbehalten!

Umrechnungstabelle für Drehstrom-Spar-Transformatoren
Conversion table for three-phase-autotransformers

Typen Leistung	Model Rating	Durchgangsleitung			Power handling capacity		
		230:115	400:230	415:380	440:380	500:200	500:380
0.10		0.20	0.24	1.20	0.74	0.18	0.42
0.13		0.26	0.30	1.50	0.96	0.23	0.54
0.16		0.32	0.38	1.90	1.20	0.28	0.67
0.20		0.40	0.47	2.40	1.50	0.36	0.84
0.25		0.50	0.60	3.00	1.80	0.45	1.00
0.32		0.64	0.76	3.80	2.30	0.57	1.30
0.40		0.80	0.95	4.80	2.90	0.72	1.70
0.50		1.00	1.20	6.00	3.70	0.90	2.10
0.63		1.26	1.50	7.50	4.60	1.10	2.60
0.80		1.60	1.90	9.50	5.90	1.40	3.30
1.00		2.00	2.40	11.90	7.40	1.80	4.20
1.50		3.00	3.50	17.90	11.10	2.70	6.30
2.00		4.00	4.70	23.80	14.80	3.60	8.40
2.50		5.00	6.00	29.70	18.50	4.50	10.50
3.00		6.00	7.10	35.70	22.50	5.40	12.60
3.50		7.00	8.30	41.60	26.00	6.30	14.70
4.00		8.00	9.50	47.60	29.00	7.20	16.80
4.50		9.00	10.70	53.50	33.00	8.10	18.90
5.00		10.00	12.00	59.50	37.00	9.00	21.00
6.00		12.00	14.30	71.40	44.00	10.80	25.20
7.50		15.00	17.84	89.25	55.00	13.50	31.50
8.80		17.60	21.00	104.00	65.00	15.80	37.00
10.00		20.00	23.80	119.00	74.00	18.00	42.00
12.50		25.00	30.00	148.00	92.00	22.50	52.00
15.00		30.00	35.70	178.00	111.00	27.00	63.00
17.50		35.00	41.60	208.00	129.00	31.50	73.00
20.00		40.00	47.60	238.00	148.00	36.00	84.00
22.50		45.00	53.00	267.00	166.00	40.00	94.00
25.00		50.00	59.50	297.00	185.00	45.00	105.00
30.00		60.00	71.00	357.00	222.00	54.00	126.00
35.00		70.00	83.00	416.00	259.00	63.00	147.00
40.00		80.00	95.00	476.00	296.00	72.00	168.00



Artisan Technology Group is your source for quality new and certified-used/pre-owned equipment

- FAST SHIPPING AND DELIVERY
- TENS OF THOUSANDS OF IN-STOCK ITEMS
- EQUIPMENT DEMOS
- HUNDREDS OF MANUFACTURERS SUPPORTED
- LEASING/MONTHLY RENTALS
- ITAR CERTIFIED SECURE ASSET SOLUTIONS

SERVICE CENTER REPAIRS

Experienced engineers and technicians on staff at our full-service, in-house repair center

*InstraView*SM REMOTE INSPECTION

Remotely inspect equipment before purchasing with our interactive website at www.instraview.com ↗

WE BUY USED EQUIPMENT

Sell your excess, underutilized, and idle used equipment. We also offer credit for buy-backs and trade-ins. www.artisanng.com/WeBuyEquipment ↗

LOOKING FOR MORE INFORMATION?

Visit us on the web at www.artisanng.com ↗ for more information on price quotations, drivers, technical specifications, manuals, and documentation

Contact us: (888) 88-SOURCE | sales@artisanng.com | www.artisanng.com