



Artisan Technology Group is your source for quality new and certified-used/pre-owned equipment

- FAST SHIPPING AND DELIVERY
- TENS OF THOUSANDS OF IN-STOCK ITEMS
- EQUIPMENT DEMOS
- HUNDREDS OF MANUFACTURERS SUPPORTED
- LEASING/MONTHLY RENTALS
- ITAR CERTIFIED SECURE ASSET SOLUTIONS

SERVICE CENTER REPAIRS

Experienced engineers and technicians on staff at our full-service, in-house repair center

*InstraView*SM REMOTE INSPECTION

Remotely inspect equipment before purchasing with our interactive website at www.instraview.com ↗

WE BUY USED EQUIPMENT

Sell your excess, underutilized, and idle used equipment. We also offer credit for buy-backs and trade-ins. www.artisanng.com/WeBuyEquipment ↗

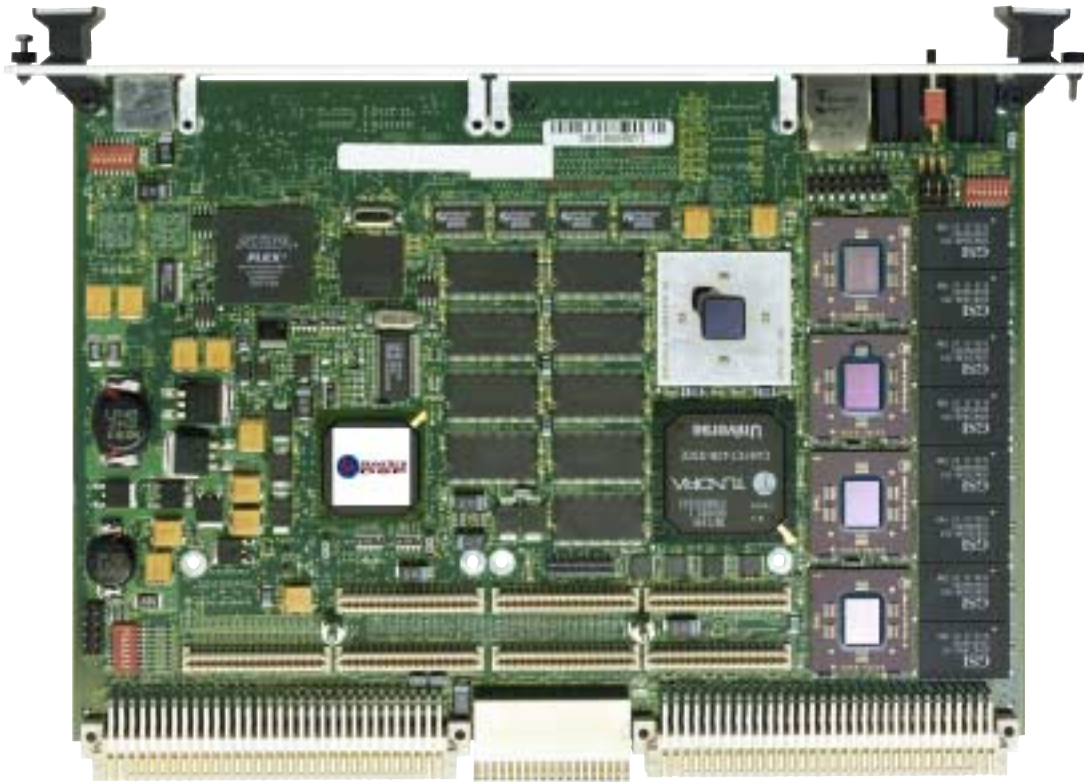
LOOKING FOR MORE INFORMATION?

Visit us on the web at www.artisanng.com ↗ for more information on price quotations, drivers, technical specifications, manuals, and documentation

Contact us: (888) 88-SOURCE | sales@artisanng.com | www.artisanng.com

VQG4

Quad PowerPC 7400 with RACE++™ and Dual PMC



Features

- 1, 2 or 4 PowerPC 7400 CPUs**
- 1 or 2Mbyte L2 cache per CPU**
- Up to 512Mbytes SDRAM**
- 2 PMC sites (separate PCI buses)**
- RACE++™ interface**
- PCI over VME P0**
- Ethernet (10/100baseT)**
- 32Mbytes Flash**
- Built-In Test (BIT)**
- VxWorks™**
- Linux**
- Optimized VSIPL DSP libraries**

The VQG4 can be configured as a single, dual and quad PowerPC processor based single board computer card and provides high processor density yet retaining traditional I/O facilities such as Ethernet and serial I/O. A RACE++ interface allows the processor array efficient access to high bandwidth data. This allows the VQG4 to be scaled to include extra processors and is ideal for applications such as radar, sonar and high-speed imaging.

Industry standard operating systems supported and include VxWorks and linux. This is backed up with PowerPC optimized DSP libraries and high-level system design tools.



www.transtech-dsp.com

Hardware

Overview

The VQG4 is provided with a choice of 1, 2 or 4 PowerPC 7400 CPUs and at different speed grades. The VQG4 will accept future higher speed parts as they become available.

To achieve peak performance, the VQG4 includes 2Mbyte L2 cache per CPU. The L2 cache is connected to the CPU by a dedicated bus running at between 150 and 200MHz, depending on the processor core speed.

The CPUs are connected to the SDRAM by an IBM CPC-710+ bridge for low latency and high bandwidth data streaming.

The VQG4 includes all the necessary resources required by leading real-time operating systems such as a flash BIOS ROM for boot firmware, non-volatile memory, a timer and a serial port. The serial port is available through a 9-way D-type connector, and provides a resource for operating systems to implement diagnostics or configuration support.

“Super-computer like performance on a chip”



PowerPC 7400 Summary Specification

- **Internal CPU Speeds**
400, 450MHz and 500MHz
- **Bus Interface**
64-bit bus with MPX/60x protocol
- **Cache**
L1: 32Kbyte instr/32Kbyte data
L2: up to 2Mbytes
- **Benchmark (450MHz)**
21.4 SPECint95
20.4 SPECfp95
825 MIPS
- **Execution Units**
integer (2), floating-point, vector, branch, load/store, system

PowerPC 7400 with AltiVec™

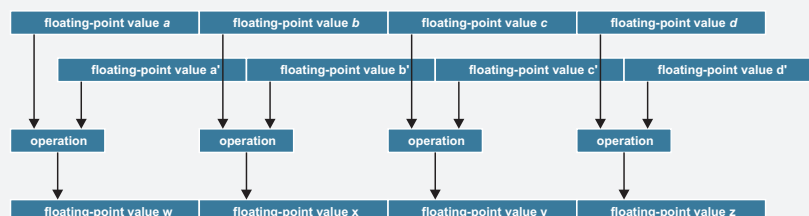
A major of the PowerPC 7400 is a 128-bit vector processing unit. This is the AltiVec extension and operates in a SIMD mode (Single Instruction Multi-Data). With AltiVec, the PowerPC can accelerate many DSP and multimedia type applications by being able to achieve up to 20 operations in a single CPU clock cycle. As an example, the vector unit can process 16x 8-bit data elements in parallel. The vector unit can handle parallel data elements of other lengths including floating-point.

With the vector unit come 162 new instructions. These are similar to those found on the scalar units, but in SIMD format. To implement these instructions at a high level, C language extensions have been made available. Using language extensions, rather than relying on compiler efficiencies, permits maximum performance to be achievable.

Through the AltiVec Instruction Set Architecture many application segments are supported including Voice over IP (VoIP), speech recognition, voice/sound processing and communications including multi-channel modems, software modems, data encryption. The parallel nature of AltiVec means that PowerPC 7400 can replace modem banks with a single processor whereas many were previously needed. This simplicity makes development easier and reduces cost.

# Parallel Vector Operations	Data Types Supported
16-way	8-bit signed & unsigned ints and chars
8-way	16-bit signed & unsigned ints
4-way	32-bit signed & unsigned ints and IEEE floating-point numbers

*Parallelism with AltiVec technology execution unit
Table 1*

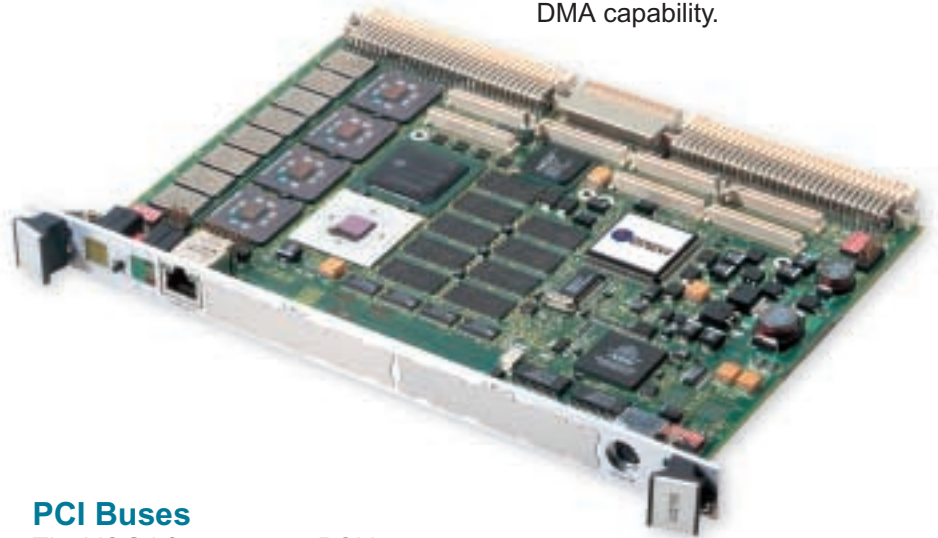


*Parallel floating-point operations with AltiVec
Figure 2*

Utilities are supplied to test and program the BIOS and NVRAM, as well as programming examples for the timer and serial port.

■ 10/100baseT Ethernet

Front panel RJ45 accessible from any CPU with an auto-sensing interface. This device is a full 32-bit PCI interface with DMA capability.



PCI Buses

The VQG4 features two PCI buses. One segment supports 64-bit/66MHz PCI and is made available to one of the PMC mezzanine sites, the other is 32-bit/33MHz only and is used for all other PCI devices including the second PMC slot.

■ Quad RS232

Each CPU has its own RS232 channel. All four ports are available through a front panel mini-D connector. A separate breakout cable is available.

VQG4 Benefits

- **PowerPC 7400**
Maximum performance
Latest generation devices
Wide software support
- **Quad Processor**
High processor density
Lower cost per processor
- **L2 Cache**
Maximum performance
Cost effective
- **RACE++ Interface**
Fast inter-processor comms
Scalable systems
- **Dual PMC sites**
High-speed data I/O
Fewer VME slots
- **Commercial & Rugged Builds**
Low cost development
One architecture suits many applications

Interrupt Handling

The VQG4 has a large number of interrupt sources. Through the use of an interrupt handler, any interrupt source can be associated with any processor. This provides the flexibility to either share the load of maintaining the peripherals or nominating a single processor to control the system. Each of the four PowerPC processors are also capable of interrupting each other for efficient system synchronization and inter-processor communications.

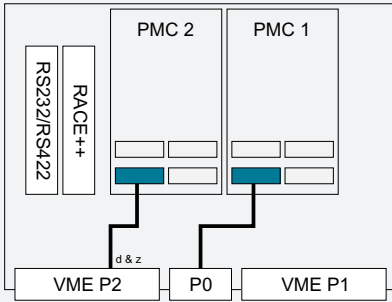
Peripherals

Even though the VQG4 is designed to be a multi-processor card, it also includes most of the resources found on more traditional single board computers. These include networking, serial I/O, mezzanine expansion sites, etc. The VQG4 can also be supplied as a single processor variant: a classic SBC and array processor in one.

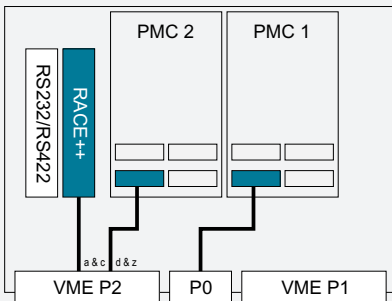
Backplane Data I/O

For some applications backplane/non-front panel connectivity is the only permitted option - this is often the case for conduction-cooled systems. The VQG4 support VME backplane I/O and has option to route both PMC sites, RACE++ or serial (RS232 or RS422). By using one of the PMC user I/O routing options, PCI through VME P0 is also an option.

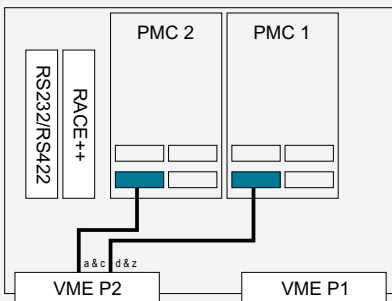
Each PMC module can have a user I/O connector providing up to 64 I/O signals: 128 in total for the VQG4's two sites. These I/O signals can be routed to either the VME P2 DIN connector (rows a&c, d&z) or the VME P0 connector (if fitted). If the RACE++ option is used, VME P2 rows a & c are not available to the PMCs for I/O. See figure 3 for PMC routing schemes depending whether P0 and RACE++ option are fitted.



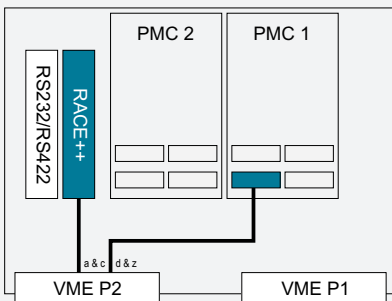
VME P0 without RACE
Figure 3a



VME P0 with RACE++
(RACE++ PMC permits dual RACE++ option)
Figure 3b



No RACE or VME P0
Figure 3c



With RACE and no P0
(RACE++ PMC permits dual RACE++ option)
Figure 3d

Standard VME P0/P2 Options

Option	uses PMC site?	VME P0	VME P2 a&c	VME P2 d&z
Embedded RACE++	-	-	yes	-
Rear 4x RS422	-	-	yes (partial)	-
Rear 4x RS232	-	-	yes (partial)	-
PCI to VME P0	yes	yes	-	-
Dual PMC VME P2	-	-	yes	yes
Dual PMC P2/P0	-	yes	-	yes
Dual RACE++	yes	-	yes	yes
Special	-	optional	optional	optional

VQG4 I/O Backplane Routing Options
Table 2

RACE++™ Interface

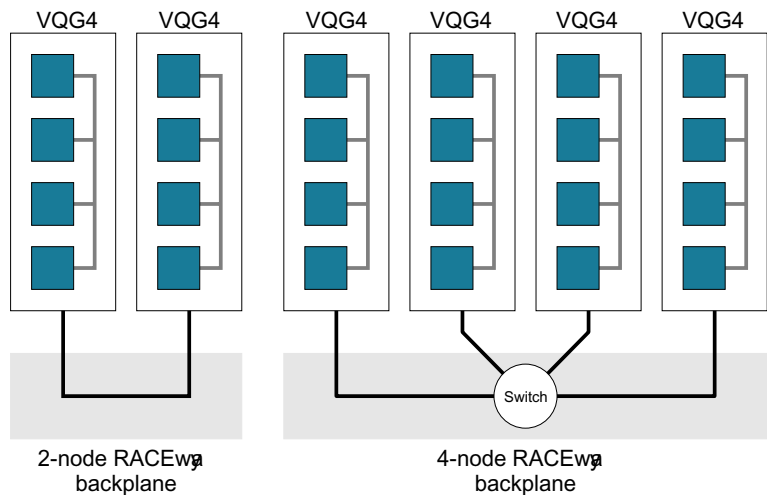
A widely adopted standard for multi-processing systems, RACE++ allows processor arrays to have point-to-point communications with bandwidths of up to 267Mbytes/sec. The VQG4 provides a single RACE++ interface shared between all the onboard PowerPC processors. The RACE++ fabric between boards is implemented using a backplane overlay. For a basic system with just two nodes, this is a simple passive link. Overlays with more than two nodes (slots) use active switches to establish (see figure 4). Each switch dynamically routes data between RACE++ nodes. Provided two or more transactions are not trying to simultaneously access a common node, the data streams will occur concurrently up to the switch's bisection data rate limit.

RACE++ is backwards compatible with RACE: RACE++ can use existing RACE equipment or be used to upgrade existing systems.

Mechanically, the RACE and RACE++ backplanes fit as a mezzanine backplane to VME picking up the VME P2 rows a & c connections and any necessary power.

Dual RACE++™ Option

The VQG4 can be supplied with an onboard RACE++ option and uses the default VME P2 connector on rows a&c. The VQG4 can support a second RACE++ interface using a RACE++ PMC module. This requires the VQG4 configured for one of the PMC sites routed to the VME P2 rows d&z.



2 and 4-slot RACE/RACE++ backplane links
Figure 4

PCI PZERO Backplane

For bussed inter-board connections, the VQG4 can use PCI. This is faster than VME, but limited to fewer slots. In many applications, VME is used for control and alternative datapath are used for the real-time I/O requirements, PCI is ideally suited to this requirement because there are many PCI based peripheral devices.

PCI from the VQG4 uses a PCIzero PMC module. This routes, via a PCI-PCI bridge PCI to the VME P0 connector. PCI P0 backplanes are used to provide the interboard links. The PCI backplanes provides all the necessary arbiters and timings required to support the 64-bit/66MHz PCI bus including a unique interrupt for each slot.

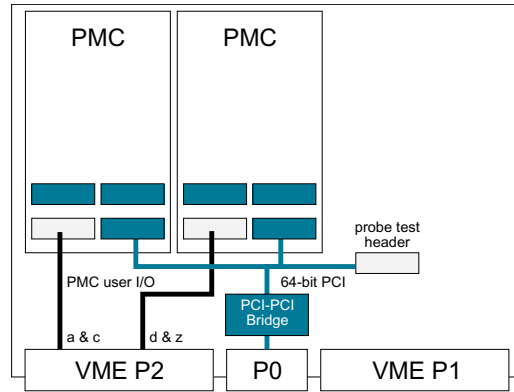
PCI/P0 PMC Carrier

Designed for use with the VQG4 PCI over VME P0 option, a 6U dual PMC carrier (see figure 5) provides one (or more) VQG4s with extra I/O sites. Since the PCI bus is 64-bit wide and capable of running at 66MHz its bandwidth of up to 528Mbytes/sec provides enough

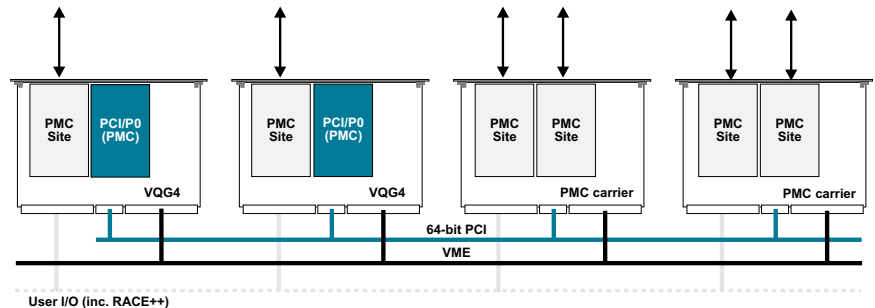
performance for all but the most demanding applications.

The PMC carrier has the option of having a probe test header. These connectors are designed to

work with the Hewlett Packard High Density Probe Adaptor, HP5346A and enable the PCI to be monitored as part of a test environment..



PCI PMC Carrier
Figure 5

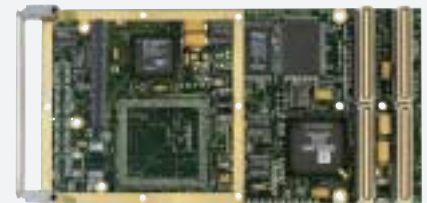


PCI over VME P0
Figure 6

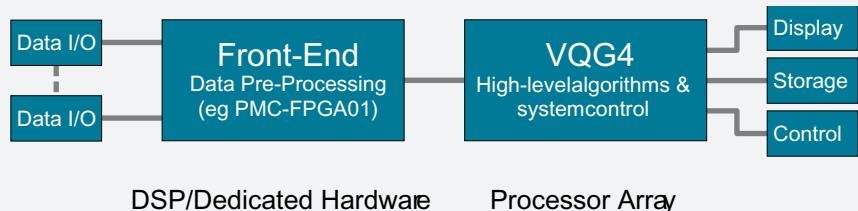
Embedded DSP and FPGAs

Despite the performance of PowerPC processor arrays, some applications benefit from the use of more specialized processing devices such as DSPs which have efficient I/O architectures, optimized libraries and greater levels of code predictability or FPGAs for increased performance and customisable I/O. An example might be a radar application which requires very fast front-end data processing but using an easier to program PowerPC CPU based solution to run more sophisticated algorithms and system control. Transtech's DSP products and tools make this easy to do. For example, the PMC-FPGA01 brings the performance of a Xilinx Virtex

FPGA I/O and pre-processing with a high-speed PCI link directly into the PowerPC array. The PMC-FPGA01 has the option of using standard digital interface modules such as LVDS or FPDP or even custom - just by changing the I/O adaptor module.



PMC-FPGA01
example front-end I/O processing
Figure 7



Generic Signal Processing System
Figure 8

Software

Software

■ Real-Time Operating Systems

VxWorks
LynxOS

■ Other Operating Systems

Linux (HardHat)

■ Test & Diagnostics

Power-On Self Test
Board level test libraries

■ DSP Libraries

VS IPL defined libraries with
PowerPC AltiVec optimizations

■ System Communications Libs

DSP communications libraries
RACE APIs

■ PMC Driver Support

FPDP
Analog I/O
ATM
Fibre-channel
Video I/O
RF Transceiver



Overview

The VQG4 lends itself to different applications and markets. These demands require the VQG4 to be available with different layers of software support. For system critical applications Power-On Self Test (POST), Built-In Test (BIT) and the Board Test Library provides a power up and run-time system diagnostic. In addition, the VQG4 has both real-time and non real-time operating systems targeted ports. To make application development easier I/O board drivers and optimized libraries are also available.

DSP Libraries

Based on the DARPA definitions, the VS IPL library provides a core set of common DSP functions for the VQG4 and optimized for the PowerPC 74xx CPUs. The basis behind the DARPA definition is to provide a processor and operating-system independent set of DSP functions thereby allowing for maximum code portability.

■ VS IPL API

Over 500 functions
DARPA sponsored
PowerPC G4 (AltiVec)
optimizations

■ VS IPL features

Portability
Object-based description
Opaque objects such as blocks,
and views on the blocks (vectors,
matrices, and tensors)
Development and production
modes
Public and private data arrays
enabling implementation
optimizations
Explicit memory/algorithm hints

■ Functionality

Scalar Functions
Vector and Matrix (scalar, unary,
binary, logical arithmetic,
selection and data generation)
Linear Algebra
Signal Processing (FFTs,
window, filter and convolution
routines)
Image Processing

This library is available separately.

Development Tools

The VQG4 includes a JTAG TAP socket and adapter that is compatible with AMC's PowerTAP™ debugger. This offers power and is functionally similar to a full in-circuit emulator.

Power-On Self Test

The VQG4 can be configured to go into a self-test mode at power-up. The built-in test runs from flash memory prior to any operating system kernel being started. All the major system components checked to see if they are operational with the diagnostic results written to registers. If the board fails, these results can be retrieved using a debugger/emulator tool externally to determine where the failure occurred. Since the VQG4 can be fitted with up to four PowerPC processors, the boot sequence can proceed if any of the CPUs fail: this is done by sequentially releasing each processor from reset should a time-out occur indicating a CPU problem. A front panel LED is used to indicate the diagnostic pass (green), non-catastrophic failure (yellow) or fail (red). Some of these tests include:

- Boot of processor (arbiter, memory address and control lines)
- Memory (inc. ECC force error)
- Flash & NVRAM checksums
- PCI device configuration
- Loopback where possible (Ethernet, RACE++, VME)
- Timer
- Processor to processor mailbox interrupts

The VQG4 can also be tested or run diagnostic functions when running applications under VxWorks. These are accessed using the 'board test library'. Some of these tests are destructive; for example the memory test will destroy the contents of the memory tested.

Vector Signal & Image Processing Library (VS IPL) Functions

Initialization/Finalization Op

vsp_init Initialize the Library
vsp_finalize Terminate the Library

Array and Block Object Functions

vsp_dblockadmit_p Block Admit
vsp_blockbind_p Memory Block Bind
vsp_cblockbind_p Complex Memory Block Bind
vsp_dblockcreate_p Memory Block Create
vsp_dblockdestroy_p Memory Block Destroy
vsp_blockfind_p Memory Block Find
vsp_cblockfind_p Memory Complex Block Find
vsp_blockrebind_p Block Rebind
vsp_cblockrebind_p Complex Block Rebind
vsp_blockrelease_p Block Release
vsp_cblockrelease_p Complex Block Release
vsp_cstorage Complex Storage

Vector View Object Functions

vsp_dvvaldestroy_p Destroy Vector and Block
vsp_dvbind_p Create and Bind a Vector View
vsp_dvcloneview_p Create Vector View Clone
vsp_dvcreate_p Create Vector
vsp_dvdestroy_p Destroy Vector View
vsp_dvget_p Vector Get Element
vsp_dvgetattrib_p Vector Get View Attributes
vsp_dvgetblock_p Vector Get Block
vsp_dvgetlength_p Vector Get Length
vsp_dvgetoffset_p Vector Get Offset
vsp_dvgetstride_p Vector Get Stride
vsp_vimagview_p Create Imaginary Vector View
vsp_dvput_p Vector Put
vsp_dvputattrib_p Put Vector View Attributes
vsp_dvputlength_p Vector Put Length
vsp_dvputoffset_p Vector Put Offset
vsp_dvputstride_p Vector Put Stride
vsp_vrealview_p Create Real Vector View
vsp_dvsubview_p Create Subview Vector View

Matrix View Object Functions

vsp_dmalldestroy_p Destroy Matrix and Block
vsp_dmbind_p Create and Bind a Matrix View
vsp_dmcloneview_p Create Matrix View Clone
vsp_dmcoview_p Create Column-View Matrix View
vsp_dmcreate_p Create Matrix
vsp_dmdestroy_p Destroy Matrix View
vsp_dmdiagview_p Create Matrix Diagonal View
vsp_dmget_p Matrix Get Element
vsp_dmgetattrib_p Matrix Get View Attributes
vsp_dmgetblock_p Matrix Get Block
vsp_dmgetcollength_p Matrix Get Column Length
vsp_dmgetcolstride_p Matrix Get Column Stride
vsp_dmgetoffset_p Matrix Get Offset
vsp_dmgetrowlength_p Matrix Get Row Length
vsp_dmgetrowstride_p Matrix Get Row Stride
vsp_dmmagview_p Create Imaginary Matrix View
vsp_dmput_p Matrix Put Element
vsp_dmputattrib_p Matrix Put View Attributes
vsp_dmputcollength_p Matrix Put Column Length
vsp_dmputcolstride_p Matrix Put Column Stride
vsp_dmputoffset_p Matrix Put Offset
vsp_dmputrowlength_p Matrix Put Row Length
vsp_dmputrowstride_p Matrix Put Row Stride
vsp_dmrealview_p Create Real Matrix View
vsp_dmrowview_p Create Matrix Row View
vsp_dmsubview_p Create Subview Matrix View
vsp_dmtransview_p Create Matrix Transposed View

SCALAR FUNCTIONS

vsp_arg_p Complex Scalar Argument
vsp_cadd_p Complex Scalar Add
vsp_cddiv_p Complex Scalar Divide
vsp_cexp_p Complex Scalar Exponential
vsp_cjmul_p Complex Conjugate Scalar Multiply
vsp_cmag_p Complex Scalar Magnitude
vsp_cmagsq_p Complex Scalar Magnitude Squared
vsp_cmplx_p Complex Sc
vsp_cmul_p Complex Scalar Multiply
vsp_cneg_p Complex Scalar Negate
vsp_conj_p Complex Scalar Conjugate
vsp_crecip_p Complex Scalar Reciprocal
vsp_csqr_p Complex Scalar Square Root
vsp_csub_p Complex Scalar Subtract
vsp_imag_p Complex Scalar Imaginary
vsp_polar_p Complex Scalar Polar
vsp_real_p Complex Scalar Real
vsp_rect_p Complex Scalar Rectangular

Index Scalar Functions

vsp_matindex Matrix Index
vsp_mcolindex Matrix Column Index

vsp_mrowindex Matrix Row Index

RANDOM NUMBER GENERATION

vsp_randcreate Create Random State
vsp_randdestroy Destroy Random State
vsp_dsrandu_p Uniform Random Numbers
vsp_dsrandn_p Gaussian Random Numbers

VECTOR & ELEMENTWISE OPERATIONS

Elementary Math Functions

vsp_vacos_p Vector Arccosine
vsp_vasin_p Vector Arcsin
vsp_vatan_p Vector Arct
vsp_vatan2_p Vector Arctangent of Two Arguments
vsp_vcos_p Vector Cosine
vsp_dvexp_p Vector Exponential
vsp_vexp10_p Vector Exponential Base 10
vsp_vlog_p Vector Log
vsp_vlog10_p Vector Log Base 10
vsp_vsin_p Vector Sine
vsp_dvsqrt_p Vector Square Root
vsp_vtan_p Vector Tangent

Unary Operations

vsp_vcconj_p Vector Conjugate
vsp_veuler_p Vector Euler
vsp_dvmag_p Vector Magnitude
vsp_cvmagsq_p Vector Complex Magnitude Squared
vsp_dvmeanval_p Vector Mean Value
vsp_dvmeansqval_p Vector Mean Square Value
vsp_dvmodulate_p Vector Modulate
vsp_dvneg_p Vector Negate
vsp_dvrecip_p Vector Reciprocal
vsp_vrsqrt_p Vector Reciprocal Square Root
vsp_vsq_p Vector Square
vsp_vsumval_p Vector Sum Value
vsp_vsumsqval_p Vector Sum of Squares Value

Binary Operations

vsp_dvadd_p Vector Add
vsp_dsvadd_p Scalar Vector Add
vsp_dvdiv_p Vector Divide
vsp_sdiv_p Scalar Vector Divide
vsp_dvexpoavg_p Vector Exponential Average
vsp_vhypot_p Vector Hypotenuse
vsp_cvjmul_p Vector Conjugate Multiply (Elementwise)
vsp_dvmul_p Vector Multiply (Elementwise)
vsp_dsvmul_p Scalar Vector Multiply
vsp_dvdmul_p Vector-Matrix Multiply (Elementwise)
vsp_dvsub_p Vector Subtract
vsp_dvsusb_p Scalar Vector Subtract

Ternary Operations

vsp_dvam_p Vector Add and Multiply
vsp_dvma_p Vector Multiply and Add
vsp_dvmsa_p Vector Multiply, Scalar Add
vsp_dvmsb_p Vector Multiply and Subtract
vsp_dvsam_p Vector Scalar Add, Vector Multiply
vsp_dvsbm_p Vector Subtract and Multiply
vsp_dvsma_p Vector Scalar Multiply, Vector Add
vsp_dvsmsa_p Vector Scalar Multiply, Scalar Add

Logical Operations

vsp_valtrue_bl Vector All True
vsp_vanytrue_bl Vector Any True
vsp_vleq_p Vector Logical Equal
vsp_vlge_p Vector Logical Greater Than or Equal
vsp_vlgt_p Vector Logical Greater Than
vsp_vlle_p Vector Logical Less Than or Equal
vsp_vllt_p Vector Logical Less Than
vsp_vlne_p Vector Logical Not Equal

Selection Operations

vsp_vclip_p Vector Clip
vsp_vinclip_p Vector Inverted Clip
vsp_vindexbool Vector Index a Boolean
vsp_vmax_p Vector M
vsp_vmaxmg_p Vector Maximum Magnitude
vsp_vcmxmgsg_p Vector Complex Max Magnitude Squared
vsp_vcmxmgsgval_p Vector Complex Max Mag Squared Value
vsp_vmaxmgval_p Vector Maximum Magnitude Value
vsp_vmaxval_p Vector Maximum Value
vsp_vmin_p Vector Mi 214
vsp_vminmg_p Vector Minimum Magnitude
vsp_vcmnmgsg_p Vector Complex Min Magnitude Squared
vsp_vcmnmgsgval_p Vector Complex Min Mag Squared Value
vsp_vminmgval_p Vector Minimum Magnitude Value
vsp_vminval_p Vector Minimum Value

Bitwise and Boolean Logical Operators

vsp_vand_p Vector AND
vsp_vnot_p Vector NOT
vsp_vor_p Vector OR
vsp_vxor_p Vector Exclusive OR

Element Generation and Copy

vsp_dscopy_p_p Vector/Matrix Copy
vsp_dvfill_p Vector Fill
vsp_vramp_p Vector Ram

Manipulation Operations

vsp_vcmplx_p Vector
vsp_dvgather_p Vector Gather
vsp_vimag_p Vector Im
vsp_vpolar_p Vector Polar
vsp_vreal_p Vector Real
vsp_vrect_p Vector Rectangular
vsp_dvscatter_p Vector
vsp_dvswap_p Vector Swap

SIGNAL PROCESSING FUNCTIONS

FFT Functions

vsp_dfft_create_f Create 1D FFT Object
vsp_ccfft_f FFT Complex to Complex
vsp_crfft_f FFT Complex to Real
vsp_rfft_f FFT Real to Complex
vsp_ccfftmx_f FFT Multiple Complex to Complex
vsp_crfftmx_f FFT Multiple Complex to Real
vsp_rfftmx_f FFT Multiple Real to Complex
vsp_dfft_create_f Create Multiple FFT Object
vsp_ffn_destroy_f Destroy FFT Object
vsp_ffn_getattr_f FFT Get Attributes

Convolution/Correlation Functions

vsp_conv1d_create_f Create 1D Convolution Object
vsp_conv1d_destroy_f Destroy Conv1D Object
vsp_conv1d_getattr_f Conv1D Get Attributes
vsp_convolve1d_f 1D 257
vsp_dcorr1d_create_f Create 1D Correlation Object
vsp_dcorr1d_destroy_f Destroy Corr1D Object
vsp_dcorr1d_getattr_f Corr1D Get Attributes
vsp_dcorrelate1d_f 1D Correlation

Window Functions

vsp_vcreate_blackman_f Create Blackman Window
vsp_vcreate_cheby_f Create Chebyshev Window
vsp_vcreate_hanning_f Create Hanning Window
vsp_vcreate_kaiser_f Create Kaiser Window

Filter Functions

vsp_dir_create_f Create Decimated FIR Filter
vsp_dir_destroy_f Destroy FIR Filter Object
vsp_dirfilt_f Decimated FIR Filter
vsp_dir_getattr_f FIR Get Attributes

Miscellaneous Signal Processing Functions

vsp_shisto_p Histogram

LINEAR ALGEBRA FUNCTIONS

Matrix and Vector Operations

vsp_cmherm_p Matrix Hermitian
vsp_cvjdot_p Complex Vector Conjugate Dot Product
vsp_dgemp_p General Matrix Product
vsp_dgems_p General Matrix Sum
vsp_dmprod_p Matrix Product
vsp_dmprodh_p Matrix Hermitian Product
vsp_dmprodj_p Matrix Conjugate Product
vsp_dmprodpt_p Matrix Transpose Product
vsp_dmvprod_p Matrix Vector Product
vsp_dmtrans_p Matrix Transpose
vsp_dvdot_p Vector Dot Product
vsp_dvmprod_p Vector Matrix Product
vsp_dvouter_p Vector Outer Product

Special Linear System Solvers

vsp_dcovsol_p Solve Covariance System
vsp_dllsqsol_p Solve Linear Least Squares Problem
vsp_dtoepsol_p Solve Toeplitz System

General Square Linear System Solver

vsp_dlud_p LU Decomposition
vsp_dlud_create_p Create LU Decomposition Object
vsp_dlud_destroy_p Destroy LUD Object
vsp_dlud_getattr_p LUD Get Attributes
vsp_dlusol_p Solve General Linear System

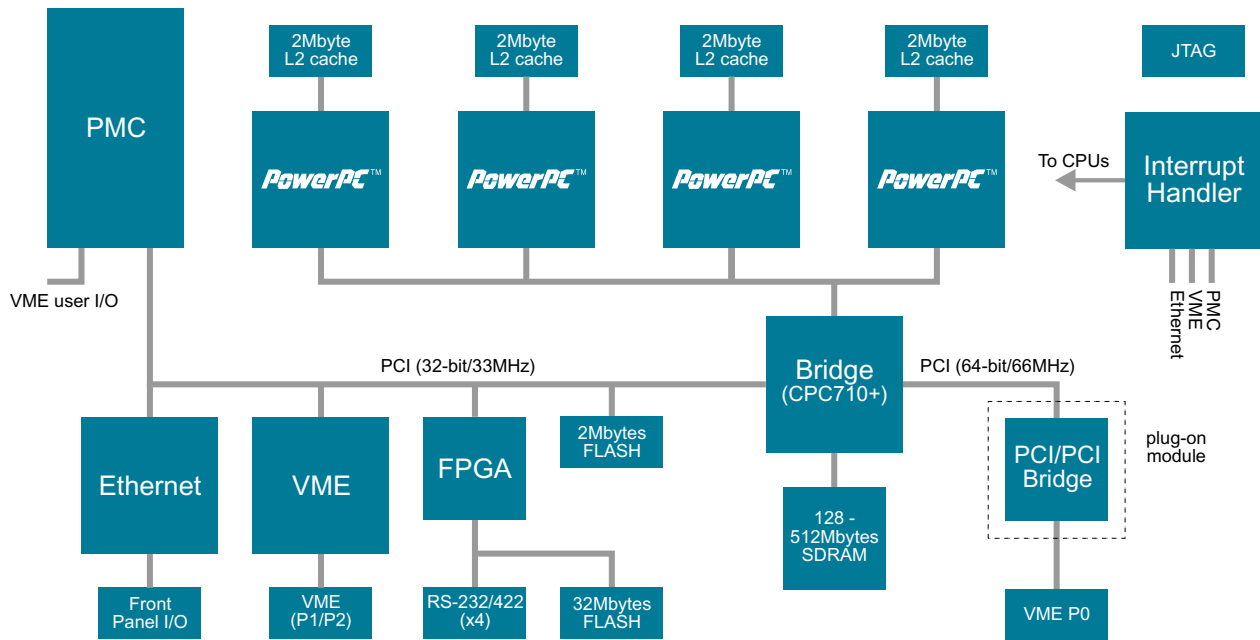
Symmetric Positive Definite Linear System Solver

vsp_dchold_p Cholesky Decomposition
vsp_dchold_create_p Create Cholesky Decomposition Object
vsp_dchold_destroy_p Destroy CHOLD Object
vsp_dchold_getattr_p CHOLD Get Attributes
vsp_dcholsol_p Solve SPD Linear System

Overdetermined Linear System Solver

vsp_dqrd_p QR Decomposition
vsp_dqrd_create_p Create QR Decomposition Object
vsp_dqrd_destroy_p Destroy QRD Object
vsp_dqrd_getattr_p QRD Get Attributes
vsp_dqrdprodq_p Product with Q from QR Decomposition
vsp_dqrdrsol_p Solve Linear System Based on R from QR Dec
vsp_dqrsol_p Solve Covariance or LLSQ System

Block Diagram



Technical Specification

Processor

Processor	PowerPC 7400
Number	1, 2 or 4 (shared bus)
Clock Speed	400MHz
Memory Bridge	CPC710+ (100MHz Memory, 32-bit/33MHz, 64-bit/66MHz PCI)

Memory

SDRAM	128, 256, 512Mbytes
L2 cache	2Mbytes
FLASH	2Mbytes (boot) + 32Mbytes (user)

PMC Sites

Number	2 (one shared with RACE++, one shared with VME and Ethernet)
I/O Routing (VME P0/P2)	(see Table 2)

Ethernet

Device	SYM53C885
Type	10baseT, 100baseTX auto sensing (front panel only)

RACE++

Device	PBX Bridge
Bandwidth	Up to 266Mbytes/sec

Serial I/O

Ports	4 (RS232 or RS422)
Connector	6-pin mini DIN (front panel) or VME P2 (a&c)

VME

Device	Tundra Universe II
Compliance	A32/A24/A16 master and slave D64/D32/D16/D08 master and slave, MBLT, BLT, ADOH, RMW, LOCK

PMC Carrier

PMC sites	2
Interface	PCI over P0 (64-bit/66MHz)

Debug

Type	RISCwatch
Connector	16-pin keyed header

Software Support

VxWorks	5.4.x BSP/Wind River Tornado 2.1
Linux	MontaVista HardHat
Signal Processing Library	PowerPC-VSIPL (513 functions optimized for PowerPC 74x0)
Test Software	Built-In Self Test (BIT)
LynxOS	TBA

Build Options

Conformal coating	Contact Transtech for information
Extended Temperature	Contact Transtech for information
PCI Over VME P0	
Dual RACE++	

20 Thornwood Drive, Ithaca, NY 14850-1263, USA
Tel: 607 257 8678 Fax: 607 257 8679
email: sales@transtech-dsp.com

Manor Courtyard, Hughenden Avenue, High Wycombe, HP13 5RE, UK
Tel: +44(0)1494 464432 Fax: +44(0)1494 464472
email: sales@transtech-dsp.com

Transtech reserves the right to alter specifications without notice, in line with its policy of continuous development. Transtech cannot accept responsibility to any third party for loss or damage arising out of the use of this information. The PowerPC name and PowerPC logotype are registered trademarks of International Business Machines Corporation, used under license. RACE and RACE++ are trademarks of Mercury Computer Systems Inc. VxWorks is a trademark of Wind River Inc. VisualDSP is a registered trademark and TigerSHARC is a trademark of Analog Devices Inc. Linux Penguin GIMP by Larry Ewing. Document Reference VQG4D1101 © Copyright Transtech DSP Ltd 2001



www.transtech-dsp.com



Artisan Technology Group is your source for quality new and certified-used/pre-owned equipment

- FAST SHIPPING AND DELIVERY
- TENS OF THOUSANDS OF IN-STOCK ITEMS
- EQUIPMENT DEMOS
- HUNDREDS OF MANUFACTURERS SUPPORTED
- LEASING/MONTHLY RENTALS
- ITAR CERTIFIED SECURE ASSET SOLUTIONS

SERVICE CENTER REPAIRS

Experienced engineers and technicians on staff at our full-service, in-house repair center

*InstraView*SM REMOTE INSPECTION

Remotely inspect equipment before purchasing with our interactive website at www.instraview.com ↗

WE BUY USED EQUIPMENT

Sell your excess, underutilized, and idle used equipment. We also offer credit for buy-backs and trade-ins. www.artisanng.com/WeBuyEquipment ↗

LOOKING FOR MORE INFORMATION?

Visit us on the web at www.artisanng.com ↗ for more information on price quotations, drivers, technical specifications, manuals, and documentation

Contact us: (888) 88-SOURCE | sales@artisanng.com | www.artisanng.com