



## Artisan Technology Group is your source for quality new and certified-used/pre-owned equipment

- FAST SHIPPING AND DELIVERY
- TENS OF THOUSANDS OF IN-STOCK ITEMS
- EQUIPMENT DEMOS
- HUNDREDS OF MANUFACTURERS SUPPORTED
- LEASING/MONTHLY RENTALS
- ITAR CERTIFIED SECURE ASSET SOLUTIONS

### SERVICE CENTER REPAIRS

Experienced engineers and technicians on staff at our full-service, in-house repair center

### *InstraView*<sup>SM</sup> REMOTE INSPECTION

Remotely inspect equipment before purchasing with our interactive website at [www.instraview.com](http://www.instraview.com) ↗

### WE BUY USED EQUIPMENT

Sell your excess, underutilized, and idle used equipment. We also offer credit for buy-backs and trade-ins. [www.artisanng.com/WeBuyEquipment](http://www.artisanng.com/WeBuyEquipment) ↗

### LOOKING FOR MORE INFORMATION?

Visit us on the web at [www.artisanng.com](http://www.artisanng.com) ↗ for more information on price quotations, drivers, technical specifications, manuals, and documentation

**Contact us:** (888) 88-SOURCE | [sales@artisanng.com](mailto:sales@artisanng.com) | [www.artisanng.com](http://www.artisanng.com)

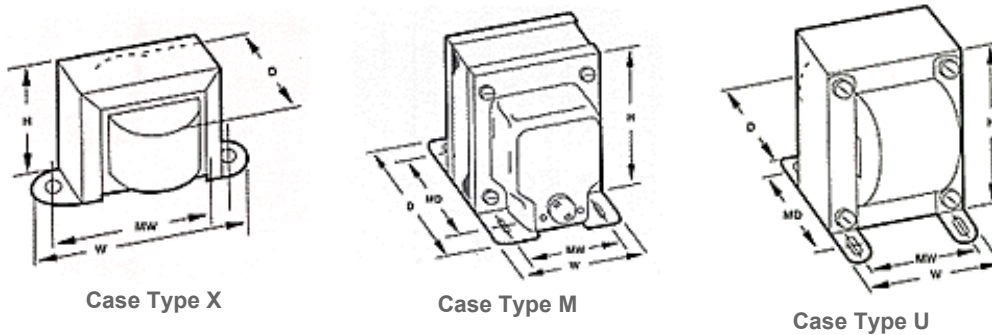
## AUTOTRANSFORMERS

### Description:

Triad autotransformers from Triad Magnetics are single winding transformers in which the primary coil is a fraction of the entire winding for voltage step-up or the secondary coil is a fraction of the entire winding for voltage step-down. (See Technical Notes for an equivalent circuit diagram.) In ordinary double wound power transformers, the primary and secondary are isolated and all the power is transferred by induction. In autotransformers, part of the power is transferred conductively through the windings. Triad autotransformers come in a variety of configurations, case types and output watts (VA) ratings in excess of 2,000 watts. A universal isolation/autotransformer/ voltage control model is available with up to a 4,000 output watts rating when operated as an autotransformer.

### Specifications:

See Technical Notes



Case Type X

Case Type M

Case Type U

## STEP-UP/STEP-DOWN AUTOTRANSFORMERS

			Secondary		Dimensions	Mounting Dimensions
<a href="http://www.artisantd.com">www.artisantd.com</a>   (888) 88-SOURCE   Quality Instrumentation ... Guaranteed						

Type No.	VA	Primary Voltage	Volts ±5%	RMS Amps	Case Type	Connections	H	W	D	MW	MD	Wt. Lbs.
N-1X	50	230	115	0.435	X (1)	Leads	2 9/32	3 11/16	2	3 1/8	-	1.5
N-3M	85	230	115	0.74	M (3)	6' Cord, Plug & Socket	3 19/32	2 31/32	2 7/8	2 1/4	1 5/8	3.0
N-3MG*	85	230	115	0.74	M (3)	6' Cord, Plug & Socket	3 19/32	2 31/32	3 1/2	2 1/4	2 1/8	3.0
N-2X	100	230	115	0.87	X (1)	Leads	2 5/8	4	2 1/16	3 5/8	-	2.1
N-150MG	150	115	230	0.65	M (3)	6'-3 Wire Cord, Plug & Socket	3 19/32	2 31/32	3 5/16	2 1/4	2 1/8	4.9
F-302U**	150	277	115	1.3	U (2)	Leads	2 13/16	3 3/8	2 1/4	2 13/16	2	2.9
N-4M	150	230	115	1.3	M (3)	6' Cord, Plug & Socket	3 19/32	2 31/32	3 5/8	2 1/4	2 3/8	4.7
N-4MG*	150	230	115	1.3	M (3)	6' Cord, Plug & Socket	3 19/32	2 31/32	4 1/4	2 1/4	2 7/8	4.7
N-6U	200	230	115	1.7	U (2)	Leads	3 3/8	2 13/16	2 13/16	2 1/4	2 1/4	3.6
N-250MG*	250	115	230	1.1	M (3)	6'-3 Wire Cord, Plug & Socket	3 7/8	3 1/4	3 11/16	2 1/2	2 7/16	6.6
N-5M	250	230	115	2.17	M (3)	6' Cord, Plug & Socket	3 7/8	3 9/32	4 1/4	2 1/2	3	7.0
N-5MG*	250	230	115	2.17	M (3)	6' Cord, Plug & Socket	3 7/8	3 9/32	4 13/16	2 1/2	3 1/2	7.0
N-500MG*	500	115	230	2.2	M (3)	6'-3 Wire Plug, Cord & Socket	4 5/8	3 7/8	4 3/4	3	3 5/8	11.2
N-7M	600	230	115	5.22	M (3)	6' Cord, Plug & Socket	4 5/8	3 15/16	5	3	3 7/8	12.0
N-7MG*	600	230	115	5.22	M (3)	6' Cord, Plug & Socket	4 5/8	3 15/16	5	3	3 7/8	12.0
N-1000MG*	1000	115	230	4.35	M (4)	6'-3 Wire Cord, Plug & Socket	5 3/8	4 1/2	5 1/2	3 1/2	4 1/8	17.39
N-9M	1250	230	115	10.85	M (4)	6' Cord, Plug & Socket	5 5/16	4 1/2	6	3 1/2	4 1/2	21.0
N-9MG*	1250	230	115	10.85	M (4)	6' Cord, Plug & Socket	5 5/16	4 1/2	6	3 1/2	4 1/2	21.0
N-11M	2000	230	115	17.4	M (4)	6' Cord, Plug & Socket	5 3/8	4 1/2	8 1/4	3 1/2	6 7/8	33.25
N-11MG*	2000	230	115	17.4	M (4)	6' Cord, Plug & Socket	5 3/8	4 1/2	8 1/4	3 1/2	6 7/8	33.25

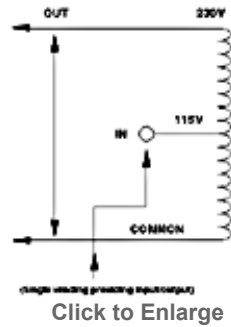
\* Has 3-wire plug, cord and socket

\*\* 60 Hz

Mounting hole sizes: (1)=3/16" (2)=13/64 x 3/8" (3)=3/8 x 3/16"

**TECHNICAL NOTES:**

1. Output wattage (VA) ratings to 50 to 2,000 W.
2. Wide selection of case types, including 6' line cords, plugs.
3. All transformers are 50/60 Hz line frequency, except as noted.
4. Hi-pot tested at 1,500 VRMS



**TRIAD**  
MAGNETICS



## Artisan Technology Group is your source for quality new and certified-used/pre-owned equipment

- FAST SHIPPING AND DELIVERY
- TENS OF THOUSANDS OF IN-STOCK ITEMS
- EQUIPMENT DEMOS
- HUNDREDS OF MANUFACTURERS SUPPORTED
- LEASING/MONTHLY RENTALS
- ITAR CERTIFIED SECURE ASSET SOLUTIONS

### SERVICE CENTER REPAIRS

Experienced engineers and technicians on staff at our full-service, in-house repair center

### *InstraView*<sup>SM</sup> REMOTE INSPECTION

Remotely inspect equipment before purchasing with our interactive website at [www.instraview.com](http://www.instraview.com) ↗

### WE BUY USED EQUIPMENT

Sell your excess, underutilized, and idle used equipment. We also offer credit for buy-backs and trade-ins. [www.artisanng.com/WeBuyEquipment](http://www.artisanng.com/WeBuyEquipment) ↗

### LOOKING FOR MORE INFORMATION?

Visit us on the web at [www.artisanng.com](http://www.artisanng.com) ↗ for more information on price quotations, drivers, technical specifications, manuals, and documentation

**Contact us:** (888) 88-SOURCE | [sales@artisanng.com](mailto:sales@artisanng.com) | [www.artisanng.com](http://www.artisanng.com)