



Artisan Technology Group is your source for quality new and certified-used/pre-owned equipment

- FAST SHIPPING AND DELIVERY
- TENS OF THOUSANDS OF IN-STOCK ITEMS
- EQUIPMENT DEMOS
- HUNDREDS OF MANUFACTURERS SUPPORTED
- LEASING/MONTHLY RENTALS
- ITAR CERTIFIED SECURE ASSET SOLUTIONS

SERVICE CENTER REPAIRS

Experienced engineers and technicians on staff at our full-service, in-house repair center

*InstraView*SM REMOTE INSPECTION

Remotely inspect equipment before purchasing with our interactive website at www.instraview.com ↗

WE BUY USED EQUIPMENT

Sell your excess, underutilized, and idle used equipment. We also offer credit for buy-backs and trade-ins. www.artisanng.com/WeBuyEquipment ↗

LOOKING FOR MORE INFORMATION?

Visit us on the web at www.artisanng.com ↗ for more information on price quotations, drivers, technical specifications, manuals, and documentation

Contact us: (888) 88-SOURCE | sales@artisanng.com | www.artisanng.com

VME CHASSIS : SERIES 400

The Series 400 features front or side intake and rear exhaust. Rackmount from 7U to 10U high with several std. depth dimensions. Its versatile design includes recessed subrack, cableway, plenum directed air, removable air filters and easy configurable back panels make it the designer's choice for VME applications. Power supplies are available from 250 watt to 1000 watt with quick disconnect cabling or with dual hot swap in 300 watt.

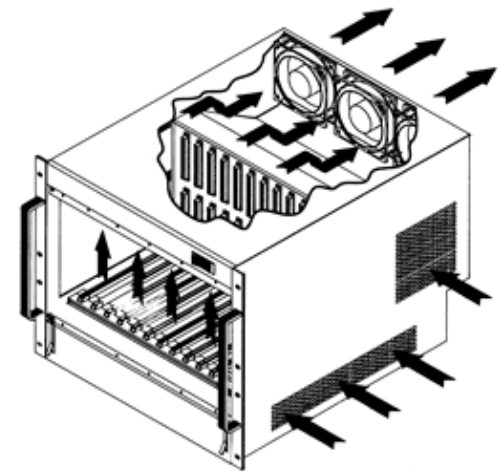
- Versatile Aluminum Chassis
- Series 410, 439 or 440
- User choices in card size and mix cards
- Front cover and rear panel customizing
- Accepts up to a 21 slot VME backplane
- Side air intake and rear exhaust (Series 410)
- Front air intake and rear exhaust (Series 420)
- Removable/washable air filters
- 750 watt power supply (other sizes available)
- 3 ea. 106 CFM 12 VDC axial fans
- Voltage/Temperature monitor panel (optional series 410)
- Quick disconnect cables

Power Supply Output Specifications

Power Supply:	+5.0 V	+12 V	-12 V	-3.3 V
250 Watt	: 40 A	4 A	1 A	20 A
400 Watt	: 60 A	6 A	2 A	
500 Watt	: 70 A	8 A	4 A	
750 Watt	: 120 A	20 A	5 A	20 A



Series 410
Chassis with monitor panel
12 slot VME backplane
Smoked polycarbonate door and chassis slides.
Plug-in power supplies, N+1 & hot swap



Ordering Table

410 - 616 - 212 05 - 00 - 00

<p>Model Numbers</p> <p>410 = Side air, rear exhaust 439 = Extra drive mounting & transition modules 440 = Low profile 464 = VME 64X</p> <p>Color</p> <p>- = Light Gray</p> <p>Card cage size</p> <p>616 = 6U x 160mm 622 = 6U x 220mm 628 = 6U x 280mm 940 = 9U x 400mm</p> <p>Backplane Connector Options</p> <p>- = Standard A = Auto Bus Grant = 8 slots E = Electronic Bus Grant (VME 64X)</p>	<p>Electrical Options</p> <p>01 = Power Monitor Panel - 410 only 02 = System Reset - all</p> <p>Peripheral Drive</p> <p>- = No drive mounting H = Half-height drives - Series 439 only F = Full height drives - Series 439 only</p> <p>Packaging & Rack</p> <p>01 = Chassis Slides 02 = Hinged front cover 03 = Both</p> <p>Power Supply</p> <p>02 = 250 Watt 04 = 400 Watt 05 = 500 Watt 07 = 750 Watt</p> <p>Backplane Size</p> <p>212 = 21 slot, J1/J2 122 = 12 slot, J1/J2</p>
---	---



Artisan Technology Group is your source for quality new and certified-used/pre-owned equipment

- FAST SHIPPING AND DELIVERY
- TENS OF THOUSANDS OF IN-STOCK ITEMS
- EQUIPMENT DEMOS
- HUNDREDS OF MANUFACTURERS SUPPORTED
- LEASING/MONTHLY RENTALS
- ITAR CERTIFIED SECURE ASSET SOLUTIONS

SERVICE CENTER REPAIRS

Experienced engineers and technicians on staff at our full-service, in-house repair center

*InstraView*SM REMOTE INSPECTION

Remotely inspect equipment before purchasing with our interactive website at www.instraview.com ↗

WE BUY USED EQUIPMENT

Sell your excess, underutilized, and idle used equipment. We also offer credit for buy-backs and trade-ins. www.artisanng.com/WeBuyEquipment ↗

LOOKING FOR MORE INFORMATION?

Visit us on the web at www.artisanng.com ↗ for more information on price quotations, drivers, technical specifications, manuals, and documentation

Contact us: (888) 88-SOURCE | sales@artisanng.com | www.artisanng.com