



Artisan Technology Group is your source for quality new and certified-used/pre-owned equipment

- FAST SHIPPING AND DELIVERY
- TENS OF THOUSANDS OF IN-STOCK ITEMS
- EQUIPMENT DEMOS
- HUNDREDS OF MANUFACTURERS SUPPORTED
- LEASING/MONTHLY RENTALS
- ITAR CERTIFIED SECURE ASSET SOLUTIONS

SERVICE CENTER REPAIRS

Experienced engineers and technicians on staff at our full-service, in-house repair center

*InstraView*SM REMOTE INSPECTION

Remotely inspect equipment before purchasing with our interactive website at www.instraview.com ↗

WE BUY USED EQUIPMENT

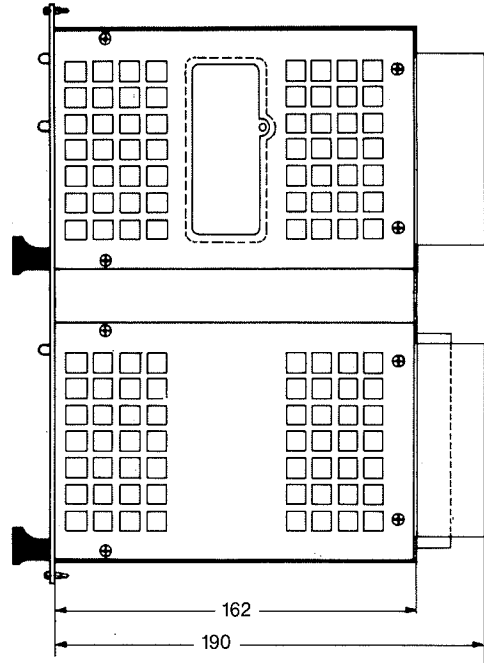
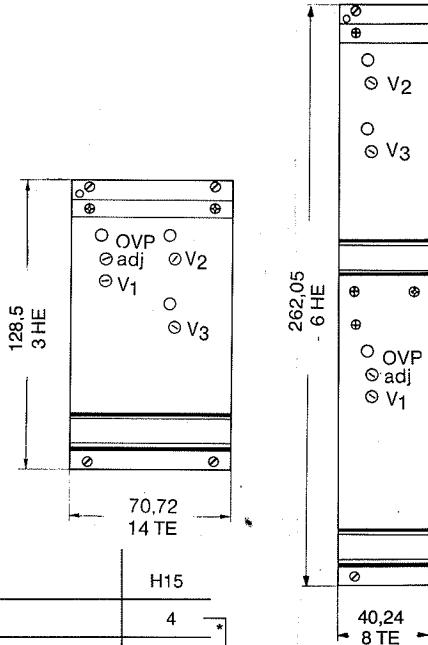
Sell your excess, underutilized, and idle used equipment. We also offer credit for buy-backs and trade-ins. www.artisanng.com/WeBuyEquipment ↗

LOOKING FOR MORE INFORMATION?

Visit us on the web at www.artisanng.com ↗ for more information on price quotations, drivers, technical specifications, manuals, and documentation

Contact us: (888) 88-SOURCE | sales@artisanng.com | www.artisanng.com

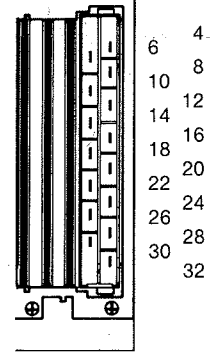
V ₁	Ausgangsspannung 1 einstellbar <i>Output voltage 1 adjustable</i> Tension de sortie 1 ajustable
V ₂	Ausgangsspannung 2 einstellbar <i>Output voltage 2 adjustable</i> Tension de sortie 2 ajustable
V ₃	Ausgangsspannung 3 einstellbar <i>Output voltage 3 adjustable</i> Tension de sortie 3 ajustable
OVP _{adj}	Begrenzung Ausgangsspannung (OVP) <i>Over voltage protection (OVP)</i> Limitation tension de sortie (OVP)



Kontaktbelegung/ <i>Contact allocation/connexions</i>	H15
+ 5 V	4
+ Sensor	6
- Sensor	8
Masse/Ground 5 V	10
+ 15 V	12
Ext. Ein/Aus, Ext. on/off, Marche/Arrêt (5 V)	14
Masse/Ground ±15 V	16
Powerfail-Signal	18
- 15 V	20
Null/Neutral/Neutre, 110/220/240 V~	26
Phase 110/220/240 V~	30
⚡ Schutzleiter/Earth/Terre	32

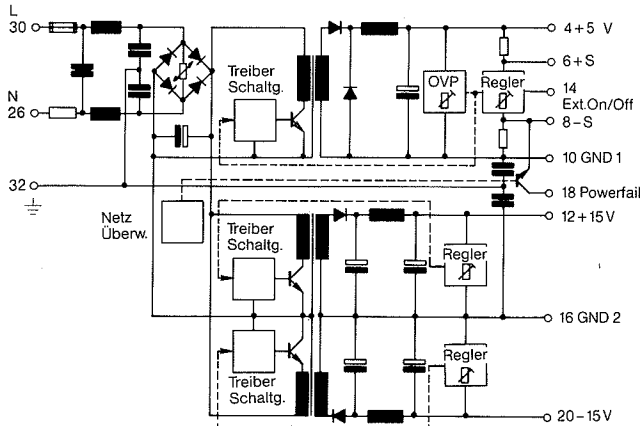
* Sensor muß angeschlossen sein
 * Sense lines must be connected
 * Les lignes du sensor doivent être connectées

Ext. Ein/Aus
 Ext. On/Off
 Marche/Arrêt

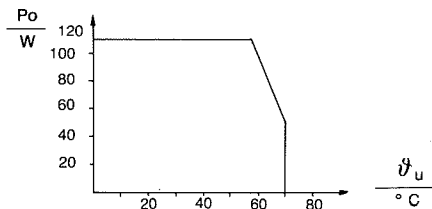


Prinzipschaltbild/Schematic circuit diagram/Schéma de principe

mit Steckverbinder Bauform H 15
 with H 15 connector
 avec connecteur type H 15



Derating-Kurve/Derating curve/ Courbe de variation



Eingangsgrößen/Input data/Caractéristiques d'entrée

Eingangswechselspannung/Frequenz: <i>Input voltage/Frequency:</i> Tension nominale/Fréquence:	110 V AC/220/240 V AC $\pm 10\%$ / -15% 47–400 Hz	
Wirkungsgrad (bei Vollast): <i>Efficiency (under full load):</i> Rendement (en charge):	≥ 75 %	

Ausgangsgrößen/Output data/Caractéristiques de sortie

Ausgangsgleichspannung, einstellbar: <i>D.C. Output voltage adjustable:</i> Tension nominale de sortie, ajustable:	V ₁	V ₂ , V ₃
	4,5–5,5 V	± 12–15 V
Ausgangsgleichstrom: <i>D.C. Output current:</i> Courant de sortie:	10 A	2 A
Ripple (bei Vollast): <i>Ripple (at full load):</i> Ondulation:	≤ 40 mV _{SS}	≤ 20 mV _{SS}

Regelgrößen/Regulation data/Régulation

Netzregelung (V _{IN} $\pm 10\%$ / -15% , 100% I _{OUT}): <i>Mains regulation:</i> Entrée:	Δ V _{OUT} 0,4 %	0,2 %
Lastregelung (10...90% I _{OUT} , statisch): <i>Load regulation:</i> En charge:	Δ V _{OUT} 0,4 %	0,5 %
Regelzeit (10...90% I _{OUT}): <i>Regulation time:</i> Temps de réponse:	1 ms	1 ms
Spannungsausregelung mit Sense-Leitungen: <i>Voltage stabilisation with sense wires:</i> Régulation de sortie avec Sensor:	0,5 V	–

Schutz- und Kontrolleinrichtungen/Protective control devices/Protection et contrôle

Begrenzung Ausgangsstrom: <i>Output current limitation:</i> Limitation de courant de sortie:	> 10,5 A	> 2,2 A
Begrenzung Ausgangsspannung (OVP): <i>Over voltage protection (OVP):</i> Limitation tension de sortie (OVP):	5,5–7 V	–
Begrenzung Einschaltstrom: <i>Input surge current limitation:</i> Protection contre les courants de crête:	ja/yes/oui	ja/yes/oui
Begrenzung Eingangsspannung: <i>Input voltage limitation:</i> Protection contre les tensions de crête:	ja/yes/oui	ja/yes/oui
Netzausfallüberbrückung (220 V AC, 100% I _{OUT}): <i>Hold up time:</i> Temps de maintien:	≥ 20 ms	≥ 20 ms
Powerfail-Signal (bei Vollast): <i>Power fail signal (at full load):</i> Signal powerfail (en charge):	bevor ≥ 6 ms prior V _{OUT} ≤ 4,9 V avant que	

Sicherheit/Safety/Sécurité

Isolationsspannungsfestigkeit nach VDE 0804: <i>Dielectric strength to VDE 0804:</i> Isolation renforcée – norme VDE 0804:	Primär/Primary/Primaire – Sekundär/Secondary/Secondaire 2,5 kV _{eff} Primär/Primary/Primaire – Erde/Earth/Terre 1,5 kV _{eff} Sekundär/Secondary/Secondaire – Erde/Earth/Terre 0,5 kV _{eff}
Schutzklasse I nach VDE 0100: <i>Class of Protection I to VDE 0100:</i> Protection normes VDE 0100:	Steckverbinder mit voreilendem Kontakt <i>Male connector with projecting earth contact</i> Connecteur avec pin de masse prioritaire

Funkentstörung/Interference suppression/Protection aux parasites

Funkentstört nach VDE 0871, Kurve B: <i>Suppressed to VDE 0871 curve B:</i> Protection aux normes VDE 0871, Courbe B:	150 kHz–30 MHz
---	----------------

Betriebsgrößen/Operational data/Caractéristiques de fonctionnement

Max. Umgebungstemperatur: <i>Maximum ambient temp.:</i> Température ambiante maxi:	(siehe Derating-Kurve) 70°C (see derating curve) (vuie muto de vadallon)
Leistungsderating nach Diagramm: <i>Output derating to diagram:</i> Maintien de la puissance nominale:	4 W/K ab 55 °C / 4 W/K above 55 °C / 4 W/K à partir de 55 °C
Lagertemperatur: <i>Storage temp.:</i> Température de stockage:	– 25°... + 85°C



Artisan Technology Group is your source for quality new and certified-used/pre-owned equipment

- FAST SHIPPING AND DELIVERY
- TENS OF THOUSANDS OF IN-STOCK ITEMS
- EQUIPMENT DEMOS
- HUNDREDS OF MANUFACTURERS SUPPORTED
- LEASING/MONTHLY RENTALS
- ITAR CERTIFIED SECURE ASSET SOLUTIONS

SERVICE CENTER REPAIRS

Experienced engineers and technicians on staff at our full-service, in-house repair center

*InstraView*SM REMOTE INSPECTION

Remotely inspect equipment before purchasing with our interactive website at www.instraview.com ↗

WE BUY USED EQUIPMENT

Sell your excess, underutilized, and idle used equipment. We also offer credit for buy-backs and trade-ins. www.artisanng.com/WeBuyEquipment ↗

LOOKING FOR MORE INFORMATION?

Visit us on the web at www.artisanng.com ↗ for more information on price quotations, drivers, technical specifications, manuals, and documentation

Contact us: (888) 88-SOURCE | sales@artisanng.com | www.artisanng.com