



Artisan Technology Group is your source for quality new and certified-used/pre-owned equipment

- FAST SHIPPING AND DELIVERY
- TENS OF THOUSANDS OF IN-STOCK ITEMS
- EQUIPMENT DEMOS
- HUNDREDS OF MANUFACTURERS SUPPORTED
- LEASING/MONTHLY RENTALS
- ITAR CERTIFIED SECURE ASSET SOLUTIONS

SERVICE CENTER REPAIRS

Experienced engineers and technicians on staff at our full-service, in-house repair center

*InstraView*SM REMOTE INSPECTION

Remotely inspect equipment before purchasing with our interactive website at www.instraview.com ↗

WE BUY USED EQUIPMENT

Sell your excess, underutilized, and idle used equipment. We also offer credit for buy-backs and trade-ins. www.artisanng.com/WeBuyEquipment ↗

LOOKING FOR MORE INFORMATION?

Visit us on the web at www.artisanng.com ↗ for more information on price quotations, drivers, technical specifications, manuals, and documentation

Contact us: (888) 88-SOURCE | sales@artisanng.com | www.artisanng.com



VISTA

Vista Electronics, Inc.

Products



LM104-P50

LONWORKS TO PC/104 BUS NETWORK INTERFACE MODULE

The **VISTA** Electronics Inc. LM104-P50 Interface Module allows an easy software integration path from DOS based programs to the LonWorks environment

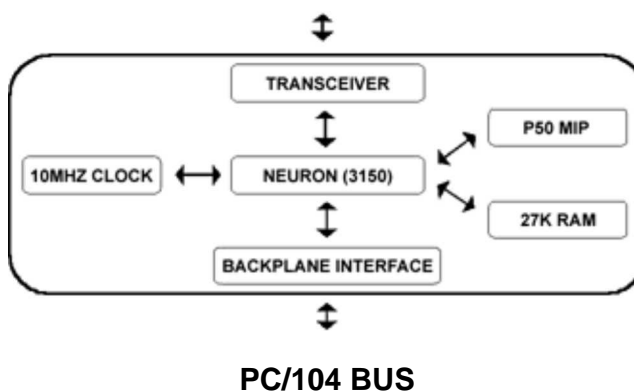
Echelon Corporation has created a standard called LonWorks, which can be used in intelligent distributed control systems. The LM104-P50 Interface Module provides LonWorks local operating network connectivity to other MiniModules using the standard PC/104 format. PC/104 modules cut system costs by eliminating requirements for backplanes and card cages.

LM104-P50 FEATURES

- Interface to any product from any manufacture using Neuron Chips
- Contains one Echelon 3150 Neuron Chip
- 24K byte onboard static RAM for network message buffering
- Interfaces to other LON nodes in either standalone, polled or peer-to-peer environments
- Conforms to the PC/104 Embedded PC Module Standard
- Small compact size (3.6" by 3.8")
- Communication options include: Standard RS-485 multi-drop configuration, 78 Kbps or 1.25 Mbps transformer coupled twisted pair, spread spectrum power line carrier, and Free Topology Transceiver (FTT-10)
- Typical applications include; Data logger, network manager, operator interface or custom programs
- Includes Echelon's P50 version MIP
- Includes DOS network drivers (QNX driver available from [Steinhoff Automations](#))



LONWORKS CONTROL NETWORK



SPECIFICATIONS

Mechanical

- Compatible with PC/104 Bus [Specifications](#)
- 3.6 x 3.8 x .635 in.

Connectors

- 3-pin .1in. center network interface

Environmental

- -40° to +85° C operating temperature range
- -65° to +150° C storage temperature range
- 15% to 90% relative humidity at 40° C, non-condensing

Network Options

Option	Communication Type		Physical Specification	Electrical Ratings	
	Implementation	Speed	Length (meters)	Voltage	Power (mA)
1	RS-485-39	39 Kbps	1,219m	+5Vdc	420
2	TP/XF-78	78 Kbps	1,400m	+5Vdc	420
3	TP/XF-1250	1.25 Mbps	130m	+5Vdc	420
5	PLT-22*	5.4 Kbps	-	+5Vdc, +12Vdc	420, 250
5C	PLT-22 GENELEC*	3.6 Kbps	-	+5Vdc, +12Vdc	420, 250
6	FTT-10A	78 Kbps	500m free topology; 2,700m with doubly terminated bus	+5Vdc	420

*Appropriate line coupler required.

PRICING AND DISCOUNTS



Discount %	0%	5%	10%	15%	20%	25%	30%
Quantity	1-9	10-24	25-49	50-99	100-499	500-999	1000+

Price Option 1, 2, 3, 6	\$275.00	\$261.25	\$247.50	\$233.75	\$220.00	\$206.25	\$192.50
Price Option 5	\$305.00	\$289.75	\$274.50	\$259.25	\$244.00	\$228.75	\$213.50

- California residents must add sales tax.
- Prices and/or specifications are subject to change without notice.
- All prices are in U.S. dollars.
- Shipping and insurance will be added to the order.

Ordering Information

LM104-P50-#

Where # is **one** of the options in the table above.

PRODUCT MANUAL

LM104-P50 Interface Module is a Registered Trademark of VISTA Electronics Inc. Echelon, LonTalk, LON, LonWorks, Neuron, and 3150 are Registered Trademarks of Echelon Corporation. PC/104 is a Trademark of the PC/104 Consortium.

Vista Electronics Inc. 27525 Newhall Ranch Road Unit #1, Valencia, CA 91355 U.S.A.

Tel: **(661) 294-9820**

e-mail: **VISTA**

Fax: **(661) 294-9857**

[Home](#) [Vista Profile](#) [Products](#) [Services](#) [File Library](#) [Tech Support](#) [Contact Vista](#) [Search](#)



Artisan Technology Group is your source for quality new and certified-used/pre-owned equipment

- FAST SHIPPING AND DELIVERY
- TENS OF THOUSANDS OF IN-STOCK ITEMS
- EQUIPMENT DEMOS
- HUNDREDS OF MANUFACTURERS SUPPORTED
- LEASING/MONTHLY RENTALS
- ITAR CERTIFIED SECURE ASSET SOLUTIONS

SERVICE CENTER REPAIRS

Experienced engineers and technicians on staff at our full-service, in-house repair center

*InstraView*SM REMOTE INSPECTION

Remotely inspect equipment before purchasing with our interactive website at www.instraview.com ↗

WE BUY USED EQUIPMENT

Sell your excess, underutilized, and idle used equipment. We also offer credit for buy-backs and trade-ins. www.artisanng.com/WeBuyEquipment ↗

LOOKING FOR MORE INFORMATION?

Visit us on the web at www.artisanng.com ↗ for more information on price quotations, drivers, technical specifications, manuals, and documentation

Contact us: (888) 88-SOURCE | sales@artisanng.com | www.artisanng.com