



## Artisan Technology Group is your source for quality new and certified-used/pre-owned equipment

- FAST SHIPPING AND DELIVERY
- TENS OF THOUSANDS OF IN-STOCK ITEMS
- EQUIPMENT DEMOS
- HUNDREDS OF MANUFACTURERS SUPPORTED
- LEASING/MONTHLY RENTALS
- ITAR CERTIFIED SECURE ASSET SOLUTIONS

### SERVICE CENTER REPAIRS

Experienced engineers and technicians on staff at our full-service, in-house repair center

### *InstraView*<sup>SM</sup> REMOTE INSPECTION

Remotely inspect equipment before purchasing with our interactive website at [www.instraview.com](http://www.instraview.com) ↗

### WE BUY USED EQUIPMENT

Sell your excess, underutilized, and idle used equipment. We also offer credit for buy-backs and trade-ins. [www.artisanng.com/WeBuyEquipment](http://www.artisanng.com/WeBuyEquipment) ↗

### LOOKING FOR MORE INFORMATION?

Visit us on the web at [www.artisanng.com](http://www.artisanng.com) ↗ for more information on price quotations, drivers, technical specifications, manuals, and documentation

**Contact us:** (888) 88-SOURCE | [sales@artisanng.com](mailto:sales@artisanng.com) | [www.artisanng.com](http://www.artisanng.com)

## 18GHz Non-terminated Microwave Switching



DC to 18GHz

The First Modular VXI Microwave Switch on the Market

Up to 6 (1x6) in Only One C-size Slot

Building Blocks Range from Dual SPDT Relays to SP6T Relays, Transfer Switches and Relay Drivers

Microwave Building Blocks are "Pluggable" from the Front of the VXIbus Card

18GHz Building Blocks Priced to Satisfy Lower Frequency Cellular Switching Markets

**Step 1:** Start with the SM7000 base unit. It holds up to six microwave building blocks in one C-size slot.

**Step 2:** Select up to six microwave building blocks

**Step 3:** Contact VXI Technology for price and delivery

### Overview

The SM7000 is part of the SMIP//™ family, offering the extensive control and interfacing features provided by SMIP//™. Microwave relay technology has been pioneered to offer density, modularity and cost benefits not available from other VXI suppliers.

Using the SMIP//™ family for microwave switching, the user obtains the following benefits over other VXI microwave switch solutions:

**Density:** Up to 6 (1x6) microwave relays can be housed in a single VXIbus slot (SM7000).

**Modularity:** Each SM7000 switch module can house up to 6 building blocks, which can be mixed and matched for the final configuration.

**Cost:** The SM7000 has been priced to help reduce the cost of microwave switching by at least 20% from existing solutions.

The following building blocks have been selected to allow the majority of microwave switch applications to be accommodated within 1 VXIbus card slot. Each building block is also "pluggable" from the front allowing for easy configurations and repair.

In addition to our own relays, we offer a base unit (SM7000N) that supports miniature microwave relays from Narda that allows 1x4s and 1x6s to be housed in the same assembly. This alternative single-slot unit allows us to maintain the same software command set on both the SM7000 and SM7000N, while having two sources of relays to better manage customer delivery requirements.

### Specifications

**Maximum Power per Channel:** 20W @ 18 GHz

**Switching Time:** <15mS

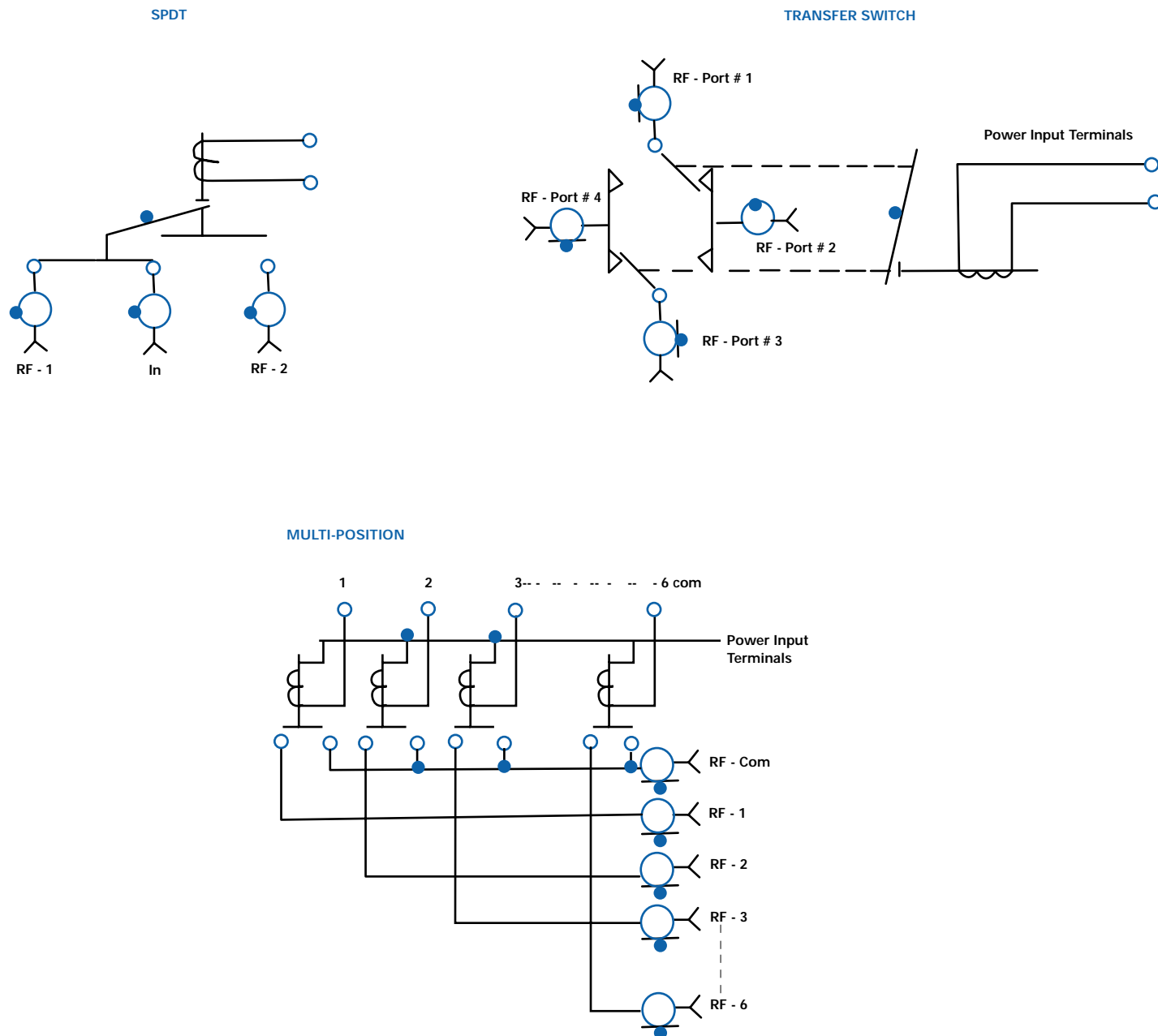
**RF Impedance:** 50Ω

Frequency (GHz)	DC-3	3-8	8-12.4	12.4-18
Isolation (dB min)	80	70	60	60
Insertion Loss (dB max)	0.2	0.3	0.4	0.5
VSWR min	1.2:1	1.3:1	1.4:1	1.5:1

**Connectors:** SMA

# SM7000

## 18GHz Non-terminated Microwave Switching



### Ordering Information

SM7000	Single-slot Base Unit	SM7000N	Single-slot Base Unit for Narda Relays
7270	2 (SPDT) 18GHz relays	7272N	SP4T Narda Relays
7272	SP4T 18GHz relay	7274N	SP6T Narda Relays
7274	SP6T 18GHz relay		
7275	18GHz transfer switch		
7276	6 relay driver lines		



## Artisan Technology Group is your source for quality new and certified-used/pre-owned equipment

- FAST SHIPPING AND DELIVERY
- TENS OF THOUSANDS OF IN-STOCK ITEMS
- EQUIPMENT DEMOS
- HUNDREDS OF MANUFACTURERS SUPPORTED
- LEASING/MONTHLY RENTALS
- ITAR CERTIFIED SECURE ASSET SOLUTIONS

### SERVICE CENTER REPAIRS

Experienced engineers and technicians on staff at our full-service, in-house repair center

### *InstraView*<sup>SM</sup> REMOTE INSPECTION

Remotely inspect equipment before purchasing with our interactive website at [www.instraview.com](http://www.instraview.com) ↗

### WE BUY USED EQUIPMENT

Sell your excess, underutilized, and idle used equipment. We also offer credit for buy-backs and trade-ins. [www.artisanng.com/WeBuyEquipment](http://www.artisanng.com/WeBuyEquipment) ↗

### LOOKING FOR MORE INFORMATION?

Visit us on the web at [www.artisanng.com](http://www.artisanng.com) ↗ for more information on price quotations, drivers, technical specifications, manuals, and documentation

**Contact us:** (888) 88-SOURCE | [sales@artisanng.com](mailto:sales@artisanng.com) | [www.artisanng.com](http://www.artisanng.com)